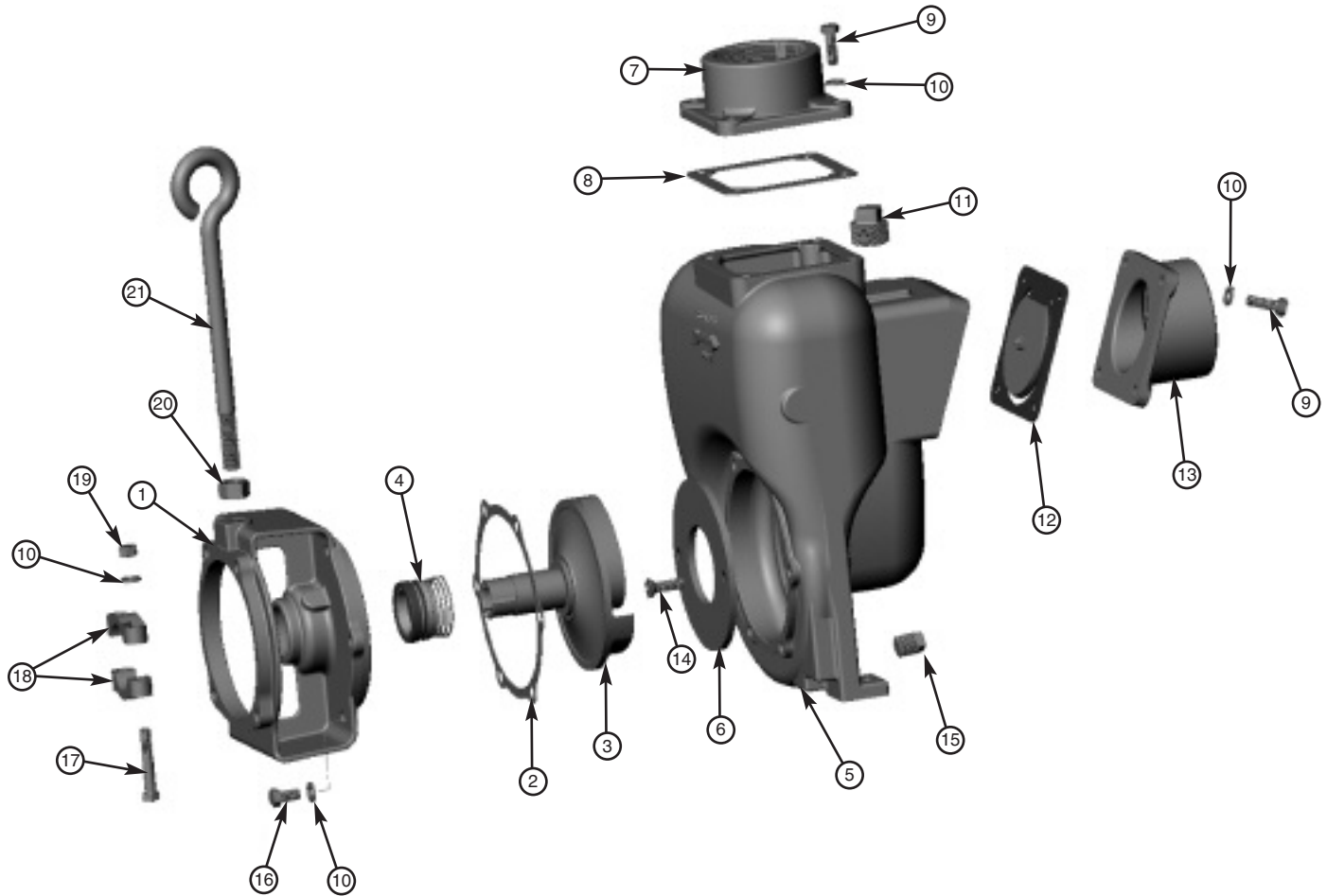


# MP PUMPS SERVICE PARTS LIST

**FLOMAX 15 SS**

**Pedestal/Engine Mount**



PART NO.	ITEM NO.	DESCRIPTION	QTY.	PART NO.	ITEM NO.	DESCRIPTION	QTY.
34976	1	Adapter SS	1	23040	12	Flapper Assembly Buna	1
22240	2	Gasket*	1	34974	13	Flange - Suction SS	1
35157	3	Impeller - 6.0" SS 1.0" I.D.	1	21262	14	Flat Head Screw SS - 3/8-16 x 1.25"	2
22362	4	Seal - 1.5" Viton Type 2*	1	22656	15	Pipe Plug - 1/2" NPT	1
34972	5	Housing SS	1	25663	16	Capscrew SS 3/8-16 x 3/4"	6
34955	6	Wear Plate SS*	1	21269	17	Capscrew 3/8-16 x 2.25"	2
34975	7	Flange - Discharge SS	1	22356	18	Clamp SS - 1"	2
22358	8	Gasket - Discharge Buna*	1	21268	19	Hex Nut - SS 3/8-16	2
21291	9	Capscrew SS - 3/8-16 x 1.13"	8	22461	20	Hex Nut - 5/8-11	1
21266	10	Lock Washer - 3/8	16	22460	21	Lift Eye 5/8-11 x 10"	1
34780	11	Pipe Plug 1" NPT	1				

\*-RECOMMENDED REPLACEMENT PARTS



**MP PUMPS, INC.**

34800 BENNETT • FRASER, MI 48026-1686  
 (586) 293-8240 • FAX (586) 293-8469  
 (800) 563-8006 • www.mppumps.com

**Form 7102-B**

05/06