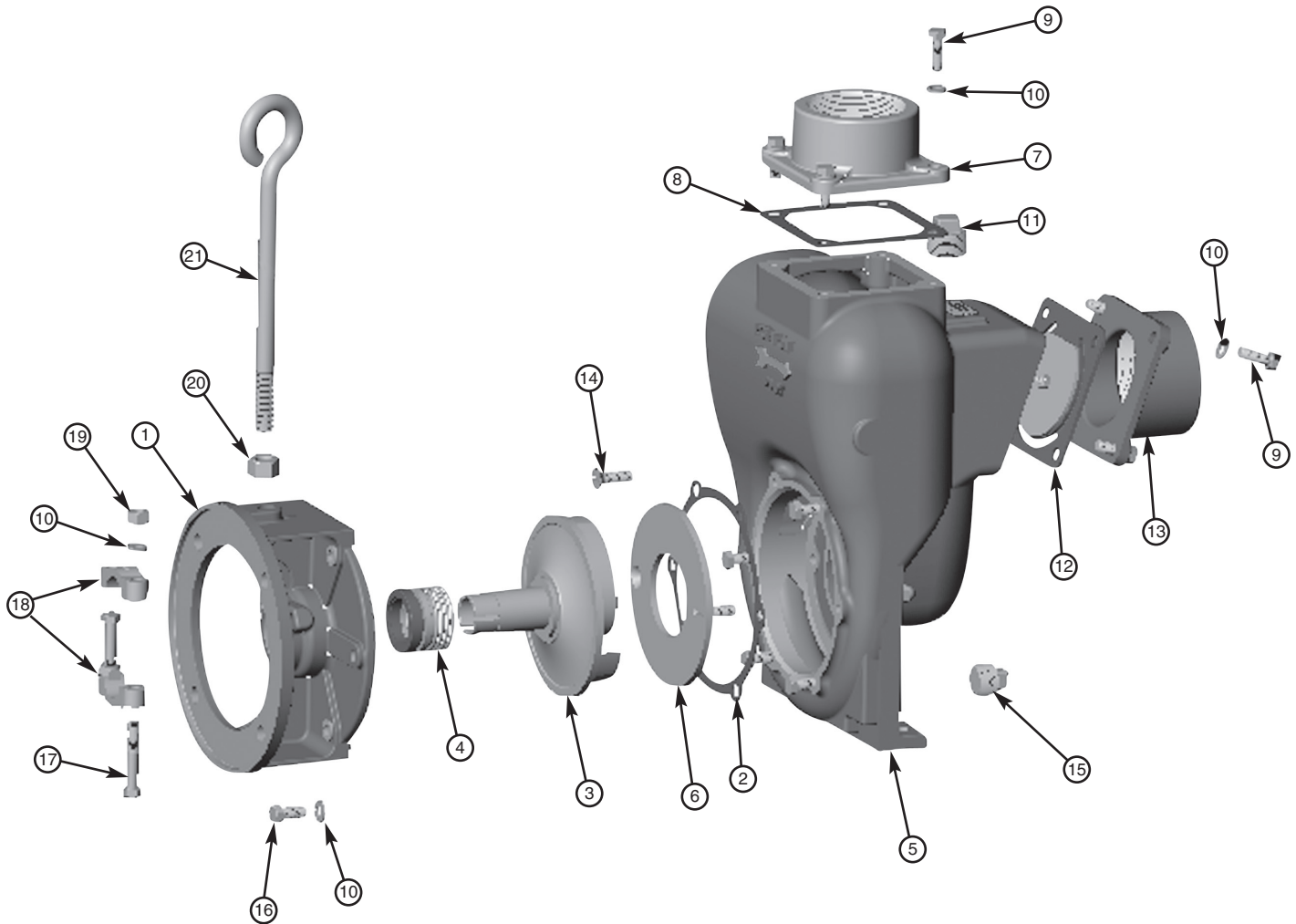


MP PUMPS SERVICE PARTS LIST

FLOMAX 15 SS

Close Coupled Mounting



PART NO.	ITEM NO.	DESCRIPTION	QTY.	PART NO.	ITEM NO.	DESCRIPTION	QTY.
34973	1	ADAPTER- S.S.	1	23040*	12	FLAPPER ASS'Y BUNA	1
22240*	2	GASKET	1	34974	13	FLANGE - SUCTION S.S.	1
35158	3	IMPELLER - 6.0" S.S. - 1.13 I.D.	1	21262	14	FLAT HD. SCR. S.S. - 3/8-16 X 1.25"	2
22362*	4	SEAL- 1.5" VITON TYPE 2	1	22656	15	PIPE PLUG - 1/2" NPT	1
34972	5	HOUSING S.S.	1	21291	16	CAP SCREW S.S. - 3/8-16 X 1.13"	6
34955*	6	WEAR PLATE S.S.	1	21269	17	CAP SCREW- S.S. 3/8-16 X 2.25"	2
34975	7	FLANGE - DISCHARGE - S.S.	1	22356	18	CLAMP S.S.- 1"	2
22358*	8	GASKET - DISCHARGE BUNA	1	21268	19	HEX NUT - S.S. 3/8-16	2
21291	9	CAP SCREW S.S. - 3/8-16 X 1.13"	8	22461	20	HEX NUT - 5/8-11	1
21266	10	LOCK WASHER- 3/8	16	22460	21	LIFT EYE 5/8-11 X 10"	1
34780	11	PIPE PLUG- 1" NPT	1				

*-RECOMMENDED REPLACEMENT PARTS



34800 BENNETT • FRASER, MI 48026-1686
 (586) 293-8240 • FAX (586) 293-8469
 (800) 563-8006 • www.mppumps.com

Form 7103-B

02/10