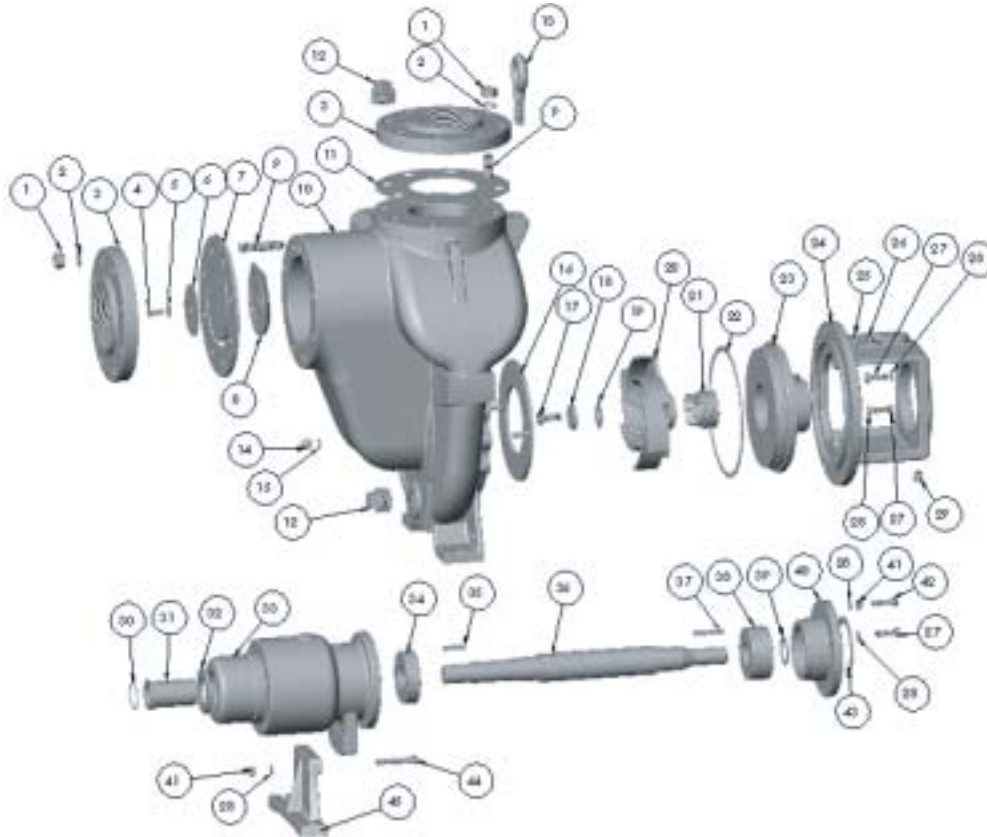


# MP PUMPS SERVICE PARTS LIST

## FLOMAX 40 CAST IRON PEDESTAL PUMP



ITEM NO.	PART NO.	DESCRIPTION	QTY.
1	22461	HEX NUT 5/8-11	16
2	26258	LOCKWASHER 5/16	16
3	27201	FLANGE INLET/OUTLET	2
4	21242	CAPSCREW 5/16-18 X 7/8"	1
5	21238	LOCKWASHER 5/16	1
6	41821	CHECKVALVE WEIGHT	1
7	40590	GASKET - CHECKVALVE	1
8	40556	CHECKVALVE WEIGHT - UPPER	1
9	27206	STUD 5/8-11 X 3"	16
10	27190	HOUSING	1
11	27204	GASKET - DISCHARGE	1
12	27205	PIPE PLUG 1.25	2
13	26586	EYE BOLT 5/8-11 X 2.12"	1
14	21263	ACORN NUT 3/8-16	2
15	21271	ANNULAR GASKET	2
16	27202	WEAR PLATE	1
17	26674	SEAL BOLT 1/2-13 X 1.25"	1
18	26675	WASHER	1
19	27403	GASKET - RULON	1
20	28149	IMPELLER - 7.75" DIA.	1
21	26685	MECH. SEAL 1.75"	1
22	27758	GASKET - HOUSING	1
23	26659	ADAPTER - MECH. SEAL	1

ITEM NO.	PART NO.	DESCRIPTION	QTY.
24	26661	ADAPTER	1
25	21254	LOCKWASHER 1/2"	8
26	21246	CAPSCREW 1/2-13 X 1.25	8
27	21274	CAPSCREW 3/8-16 X 1.25	8
28	21266	LOCKWASHER 3/8"	14
29	41475	PIPEPLUG 1/4"	1
30	33472	O-RING VITON - AS 568-031	1
31	33059	SLEEVE S.S.	1
32	26680	SLINGER NEOPRENE	1
33	33056	BODY	1
34	33053	BALL BEARING	1
35	25239	SQ. KEY 1/4 X 1/4 X 1.25	1
36	33052	SHAFT - STEEL	1
37	26796	SQ. KEY 1/4 X 1/4 X 2.12	1
38	33054	BALL BEARING	1
39	33057	SNAP RING, EXT	1
40	33051	BEARING RETAINER	1
41	21268	HEX NUT 3/8 - 16	5
42	43826	SET SCREW DDOG POINT 3/8-16 X 1.5	3
43	33058	SNAP RING, INT	1
44	21275	H.H. CAPSCREW 3/8-16 X 2.5	2
45	26667	BRACKET	1

\* RECOMMENDED REPLACEMENT PARTS



34800 BENNETT • FRASER, MI 48026-1686  
(586) 293-8240 • FAX (586) 293-8469  
(800) 563-8006 • www.mppumps.com

FORM 7078-D (10/04)