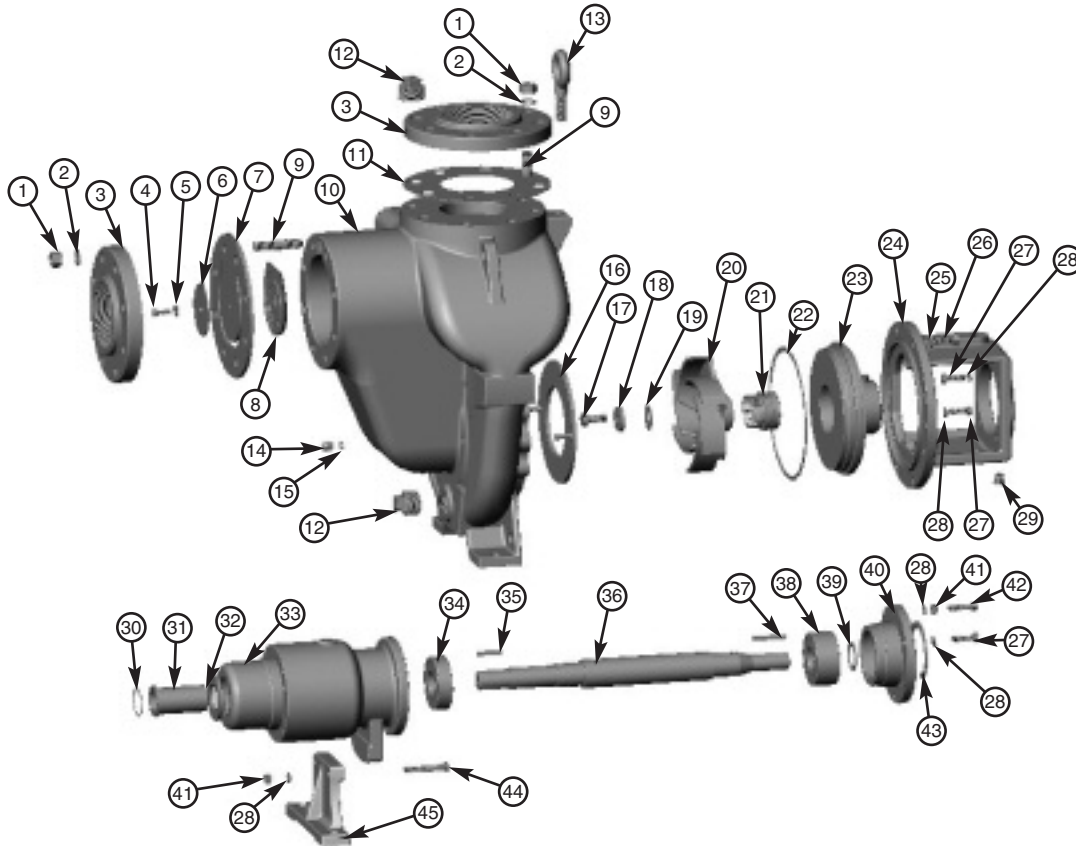


# MP PUMPS SERVICE PARTS LIST

**FLOMAX®40 - Bronze**

**Pedestal Mounting**



PART NO.	ITEM NO.	DESCRIPTION	QTY.	PART NO.	ITEM NO.	DESCRIPTION	QTY.
34287	1	Hex Nut 5/8-11	16	26661	24	Adapter	1
26853	2	Lockwasher 5/8"	16	21254	25	Lockwasher 1/2"	8
N/R	3	Flange	2	21246	26	Capscrew 1/2-13 x 1.25"	8
34814	4	Capscrew 5/16-18 x 7/7"	1	21274	27	Capscrew 3/8-16 x 1.25"	9
N/R	5	Lockwasher 5/16 x 1/8"	1	21266	28	Lockwasher 3/8"	14
34286	6	Check Valve Weight	1	21186	29	Pipe Plug 1/4"	1
40690	7	Gasket, check Valve*	1	33472	30	O-Ring, Viton*	1
34289	8	Check Valve Weight-Upper	1	33059	31	Sleeve, SS	1
34282	9	Stud 5/8-11 x 3"	16	26680	32	Slinger	1
34726	10	Housing	1	33056	33	Body	1
N/R	11	Gasket, Discharge*	1	33053	34	Ball Bearing*	1
34283	12	Pipe Plug 1.25**	2	25299	35	Square Key 1/4 x 1/4 x 1.25"	1
26686	13	Eye Bolt 5/8-11 x 2.12"	1	33052	36	Shaft*	1
34815	14	Acorn Nut 3/8-16*	2	26796	37	Square Key 1/4 x 1/4 x 2.12"	1
21271	15	Annular Gasket*	2	33054	38	Ball Bearing*	1
34284	16	Wear Plate*	1	33507	39	Snap Ring, Ext.	1
34816	17	Seal bolt 1/2-13 x 1.25**	1	33051	40	Bearing Retainer	1
34817	18	Washer, Impeller*	1	21268	41	Hex Nut 3/8-16	5
27403	19	Gasket - Rulon*	1	43926	42	Set Screw 3/8-16 x 1.5"	3
34280	20	Impeller - 7.75" Dia.*	1	33508	43	Snap Ring, Int.	1
26685	21	Mechanical Seal 1.75**	1	21275	44	H.H. Capscrew 3/8-16 x 2.5"	2
27758	22	Gasket, Housing*	1	26667	45	Bracket	1
34728	23	Adapter, Mechanical Seal	1				

N/S = Not Required

\*-RECOMMENDED REPLACEMENT PARTS



**MP PUMPS, INC.**

34800 BENNETT • FRASER, MI 48026-1686  
 (586) 293-8240 • FAX (586) 293-8469  
 (800) 563-8006 • www.mppumps.com

**Form 7104-A**

01/06