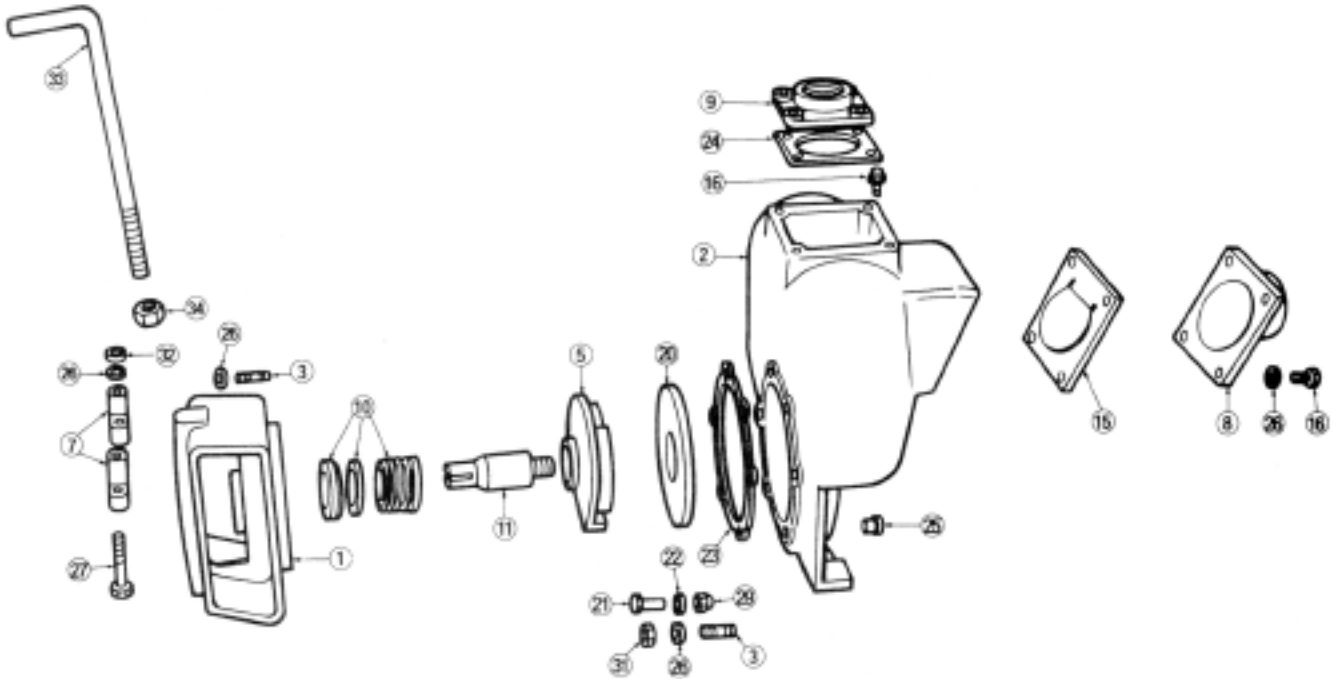


MP PUMPS SERVICE PARTS LIST

- Self-Priming • Pumpak
- Engine Drive

FLOMAX 5 1 1/2" x 1 1/2" Pipe Size
FLOMAX 8 2" x 2" Pipe Size



ITEM NO.	PART NO.	DESCRIPTION	QUANTITY REQUIRED PER MODEL							
			CAST IRON		ALUMINUM		BRONZE			
			FLOMAX 5	8	5	8	5	8		
		WITH ENGINE	21298	21323	21296	21321	21297	21322		
		REPLACEMENT PUMP	21302	21327	21300	21325	21301	21326		
		PUMPAK WITH BASE AND FASTENERS	21306	21332	21304	21330	21305	21331		

HOUSING			CAST IRON		ALUMINUM		BRONZE	
2	23021	Housing Assembly — Cast Iron — Inc:	1	1				
		Housing — Cast Iron	1	1				
16	21242	Capscrew — Flange: Dis & Suc	8	8				
3	24965	Capscrew S.S., 5/16" x 3/4"	6	6				
N/S	21238	Lockwasher — 5/16"	8	8				
2	23019	Housing Assembly — Aluminum — Inc:			1	1		
		Housing — Aluminum			1	1		
16	21242	Capscrew — Flange: Dis & Suc			8	8		
3	24965	Capscrew S.S., 5/16" x 3/4"			6	6		
N/S	21238	Lockwasher — 5/16"			8	8		
2	23020	Housing Assembly — Bronze — Inc:					1	1
		Housing — Bronze					1	1
16	21242	Capscrew — Flange: Dis & Suc					8	8
3	24965	Capscrew S.S., 5/16" x 3/4"					6	6
N/S	21238	Lockwasher — 5/16"					8	8
15	23022	Flapper Assembly		1	1	1	1	1
23	22255	Gasket — Housing to Adaptor	1	1	1	1	1	1
24	22256	Gasket — Outlet Flange	1	1	1	1	1	1
24	25933	Gasket — EPDM — Optional	1	1	1	1	1	1
25	21267	Drain Plug	1	1	1	1	1	1



MP PUMPS, INC.
 34800 BENNETT • FRASER, MI 48026-1686
 (586) 293-8240 • FAX (586) 293-8469
 (800) 563-8006 • www.mppumps.com

FORM 7001-F

PRINTED IN THE U.S.A. (2-03)

MP PUMPS SERVICE PARTS LIST

ITEM NO.	PART NO.	DESCRIPTION	QUANTITY REQUIRED PER MODEL					
			CAST IRON		ALUMINUM		BRONZE	
			FLOMAX					
			5	8	5	8	5	8
		WITH ENGINE	21298	21323	21296	21321	21297	21322
		REPLACEMENT PUMP	21302	21327	21300	21325	21301	21326
		PUMPAK WITH BASE AND FASTENERS	21306	21332	21304	21330	21305	21331
FLANGE								
8	22263	Flange — Inlet — 1-1/2" — Cast Iron	1					
8	22387	Flange — Inlet — 2" — Cast Iron		1				
8	22261	Flange — Inlet — 1-1/2" — Aluminum			1			
8	22385	Flange — Inlet — 2" — Aluminum				1		
8	22262	Flange — Inlet — 1-1/2" — Bronze					1	
8	22386	Flange — Inlet — 2" — Bronze						1
9	22266	Flange — Outlet — Cast Iron — 1-1/2"	1					
9	22311	Flange — Outlet — Cast Iron — 2"		1				
9	22264	Flange — Outlet — Aluminum — 1-1/2"			1			
9	22309	Flange — Outlet — Aluminum — 2"				1		
9	22265	Flange — Outlet — Bronze — 1-1/2"					1	
9	22310	Flange — Outlet — Bronze — 2"						1
WEAR PLATE								
20	23024	Wear Plate Assembly — Steel — Inc:	1	1				
		Wear Plate — Steel	1	1				
21	21249	Flat Head Screw — 5/16"	2	2				
22	21248	Annular Gasket	2	2				
20	22270	Wear Plate Assembly — Aluminum — Inc:			1	1		
		Wear Plate — Aluminum			1	1		
21	21249	Flat Head Screw — 5/16"			2	2		
22	21248	Annular Gasket			2	2		
20	22271	Wear Plate Assembly — Bronze — Inc:					1	1
		Wear Plate — Bronze					1	1
21	21249	Flat Head Screw — 5/16"					2	2
22	21248	Annular Gasket					2	2
29	21237	Acorn Nut — S.S. — 5/16"	2	2	2	2	2	2
IMPELLER								
5	22293	Impeller — Cast Iron	1	1				
5	22294	Impeller — Stainless Steel		1	1	1	1	1
5	22291	Impeller — Aluminum			1	1		
5	22292	Impeller — Bronze					1	1
N/S	22655	Impeller Jam Nut — Stainless Steel		1	1	1	1	1
CLAMP								
7	23002	Clamp Assembly — Includes:	1	1	1	1	1	1
		Clamp	1	1	1	1	1	1
27	21264	Capscrew 5/16"	2	2	2	2	2	2
32	21284	Hex Nut 5/16"	2	2	2	2	2	2
26	21238	Lockwasher 5/16"	2	2	2	2	2	2
33	21938	Handle	1	1	1	1	1	1
34	22637	Hex Nut 1/2"	1	1	1	1	1	1
SEAL								
10	22272	Seal Assembly — Self-lubricated — Inc:	1	1	1	1	1	1
11	22286	Drive Sleeve — Stainless Steel 3/4" Bore	1	1	1	1	1	1
ADAPTOR								
1	22247	Adaptor — Cast Iron	1	1				
1	22245	Adaptor — Aluminum			1	1		
1	22246	Adaptor — Bronze					1	1
BASE								
N/S	21955	Mounting Base	1	1	1	1	1	1
N/S	21278	Capscrew — S.S. — 5/16" — Adaptor to Engine	4	4	4	4	4	4
N/S	21292	Capscrew — S.S. — 5/16" — Engine to Base	4	4	4	4	4	4
N/S	21238	Lockwasher — S.S. — 5/16" x 1/8"	8	8	8	8	8	8
N/S	24984	Hexnut CPS — 5/16" — 18 x 1/2" x 17/64"	4	4	4	4	4	4



MP PUMPS, INC.

34800 BENNETT • FRASER, MI 48026-1686
 (586) 293-8240 • FAX (586) 293-8469
 (800) 563-8006 • www.mppumps.com

FORM 7001-F

PRINTED IN THE U.S.A. (2-03)