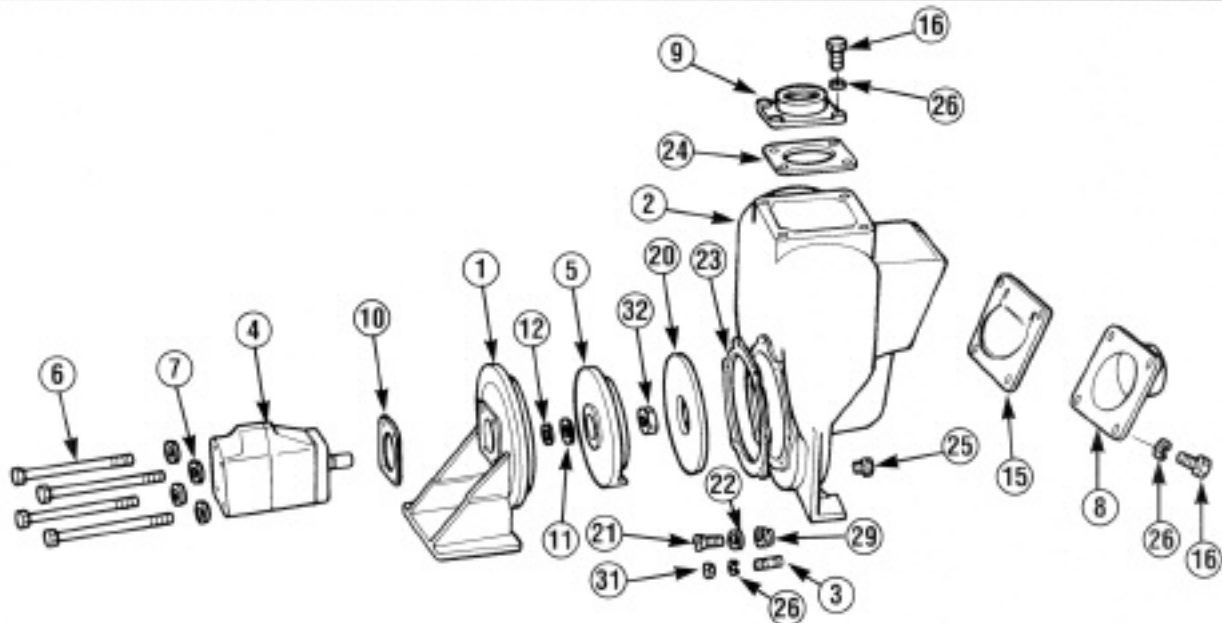


# MP PUMPS SERVICE PARTS LIST

- Hydraulic Motor Drive
- Self-Priming
- Sealless

**FLOMAX 5 1 1/2" x 1 1/2" Pipe Size**  
**FLOMAX 8 2" x 2" Pipe Size**



**IMPORTANT:** When ordering parts, specify model and serial number shown on nameplate.  
 N/S indicates not shown on exploded view of parts.

ITEM NO.	PART NO.	DESCRIPTION	QUANTITY REQUIRED PER MODEL						
			FLOMAX		CAST IRON		ALUMINUM		BRONZE
			5	8	5	8	5	8	
<b>HOUSING</b>									
	23021	Housing Assembly — Cast Iron — Inc.:							
2		Housing — Cast Iron	1	1					
16	21242	Capscrew — Flange: Dis. & Suc.	1	1					
3	21243	Stud — Housing — Adaptor	8	8					
26	21238	Lockwasher — 5/16"	6	6					
31	21244	Hex Nut — 5/16-24	14	14					
	23019	Housing Assembly — Aluminum — Inc.:							
2		Housing — Aluminum			1	1			
16	21242	Capscrew — Flange: Dis. & Suc.			1	1			
3	21243	Stud — Housing — Adaptor			8	8			
26	21238	Lockwasher — 5/16"			6	6			
31	21244	Hex Nut — 5/16-24			14	14			
	23020	Housing Assembly — Bronze — Inc.:							
2		Housing — Bronze					1	1	
16	21242	Capscrew — Flange: Dis. & Suc.					1	1	
3	21243	Stud — Housing — Adaptor					8	8	
26	21238	Lockwasher — 5/16"					6	6	
31	21244	Hex Nut — 5/16-24					14	14	
15	23022	Flapper Assembly			1	1	1	1	1
23	22255	Gasket — Housing to Adaptor			2	2	2	2	2
24	22256	Gasket — Outlet Flange			1	1	1	1	1
25	21267	Drain Plug			1	1	1	1	1
<b>FLANGE</b>									
8	22263	Flange — Inlet — 1-1/2" — Cast Iron	1						
8	22387	Flange — Inlet — 2" — Cast Iron		1					
8	22261	Flange — Inlet — 1-1/2" — Aluminum				1			
8	22385	Flange — Inlet — 2" — Aluminum					1		



34800 BENNETT • FRASER, MI 48026-1686  
 (586) 293-8240 • FAX (586) 293-8469  
 (800) 563-8006 • www.mppumps.com

**FORM 7042-B**

PRINTED IN U.S.A.—GB

# MP PUMPS SERVICE PARTS LIST

ITEM NO.	PART NO.	DESCRIPTION	QUANTITY REQUIRED PER MODEL						
			FLOMAX	CAST IRON		ALUMINUM		BRONZE	
				5	8	5	8	5	8
<b>FLANGE (Continued)</b>									
8	22262	Flange — Inlet — 1-1/2" — Bronze						1	
8	22386	Flange — Inlet — 2" — Bronze							1
9	22266	Flange — Outlet — Cast Iron — 1-1/2"	1						
9	22311	Flange — Outlet — Cast Iron — 2"		1					
9	22264	Flange — Outlet — Aluminum — 1-1/2"			1				
9	22309	Flange — Outlet — Aluminum — 2"				1			
9	22265	Flange — Outlet — Bronze — 1-1/2"						1	
9	22310	Flange — Outlet — Bronze — 2"							1
<b>WEAR PLATE</b>									
20	23024	Wear Plate Assembly — Steel — Inc.:	1	1					
20	22260	Wear Plate — Steel	1	1					
21	21249	Flat Head Screw — 5/16"	2	2					
22	21248	Annular Gasket	2	2					
<b>WEAR PLATE</b>									
20	22270	Wear Plate Assembly — Aluminum — Inc.:			1	1			
20	22258	Wear Plate — Aluminum			1	1			
21	21249	Flat Head Screw — 5/16"			2	2			
22	21248	Annular Gasket			2	2			
<b>WEAR PLATE</b>									
20	22271	Wear Plate Assembly — Bronze — Inc.:						1	1
20	22259	Wear Plate — Bronze						1	1
21	21249	Flat Head Screw — 5/16"						2	2
22	21248	Annular Gasket						2	2
<b>ACORN NUT</b>									
29	21237	Acorn Nut — S.S. — 5/16"	2	2	2	2	2	2	2
<b>IMPELLER</b>									
5	22293	Impeller — Cast Iron	1	1					
5	22294	Impeller — Stainless Steel	1	1	1	1	1	1	1
5	22291	Impeller — Aluminum			1	1			
5	22292	Impeller — Bronze						1	1
32	22655	Impeller Jam Nut — Stainless Steel	1	1	1	1	1	1	1
11	22305	Shim	1	1	1	1	1	1	1
12	25004	Snap Ring	1	1	1	1	1	1	1
<b>MOTOR ASSEMBLY</b>									
4	25278	Hydraulic Motor	1	1	1	1	1	1	1
6	24634	Cap Screw	4	4	4	4	4	4	4
7	21238	Lock Washer	4	4	4	4	4	4	4
10	24009	Gasket	1	1	1	1	1	1	1
<b>ADAPTOR</b>									
1	24003	Adaptor — Cast Iron	1	1					
1	25087	Adaptor — Aluminum			1	1			
1	25068	Adaptor — Bronze						1	1
<b>HYDRAULIC RELIEF VALVE KIT</b>									
1	25488	Hydraulic Relief Valve Kit	1	1	1	1	1	1	1



**MP PUMPS, INC.**

34800 BENNETT • FRASER, MI 48026-1686  
 (586) 293-8240 • FAX (586) 293-8469  
 (800) 563-8006 • www.mppumps.com

**FORM 7042-B**

PRINTED IN U.S.A.—GB (10/94)