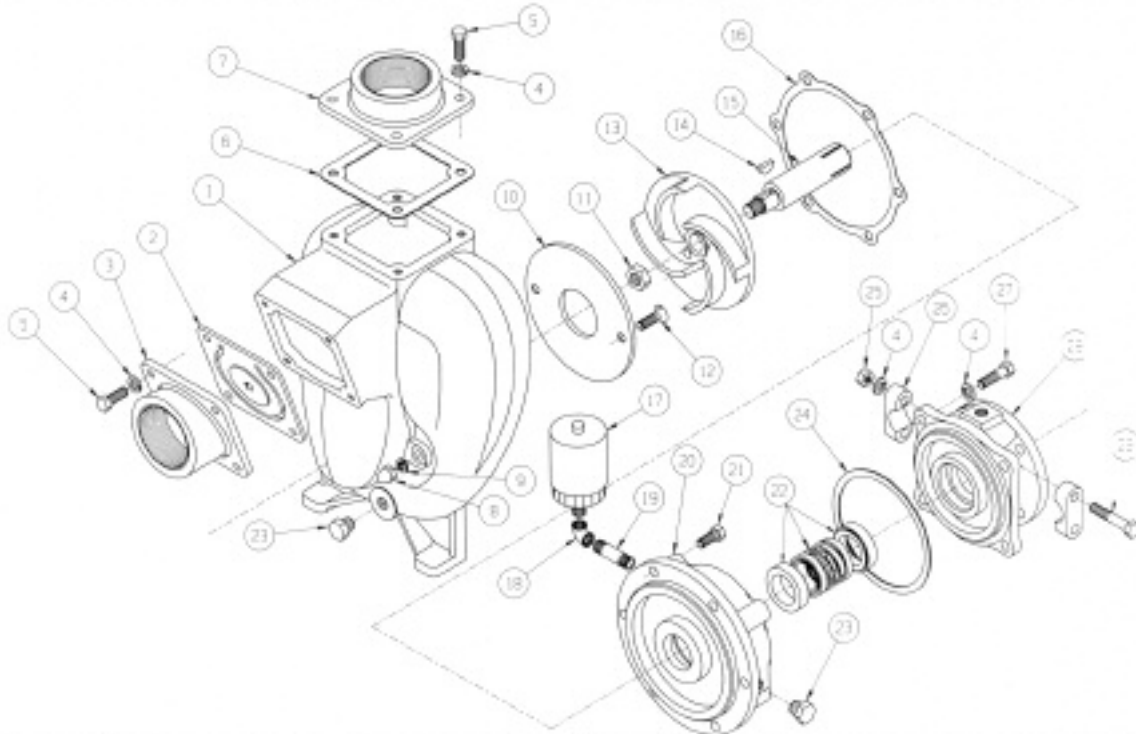


# MP PUMPS SERVICE PARTS LIST

- Self-Priming
- Pedestal & Engine Mounting
- Pumpak
- Double Seal

**FLOMAX 5 1 1/2" x 1 1/2" Pipe Size**  
**FLOMAX 8 2" x 2" Pipe Size**



ITEM	PART NO.	DESCRIPTION	QTY.	ITEM	PART NO.	DESCRIPTION	QTY.
<b>ADAPTER</b>				<b>IMPELLER</b>			
20	28508	ADAPTER — CAST IRON	1	13	28512	IMPELLER — CAST IRON — 4.84 DIA.	1
28	28506	ADAPTER — CAST IRON	1	13	28667	IMPELLER — CAST IRON — 4.47 DIA.	1
23	21267	PIPE PLUG — S.S. — 1/4" NPT	1	13	28668	IMPELLER — CAST IRON — 4.66 DIA.	1
27	21250	CAPSCREW — S.S. — 5/16"-18 X 1-1/8"	4	13	28669	IMPELLER — CAST IRON — 3.88 DIA.	1
4	21238	LOCKWASHER — S.S. — 5/16"	4	14	21163	WOODRUFF KEY — S.S. — 5/8" X 5/32"	1
17	28575	OIL RESERVOIR — 1/4" NPT	1	15	28531	DRIVE SLEEVE — S.S. — 3/4" DIA. BORE	1
18	41672	ELBOW — STL — 1/4" NPT X 90°	1	15	28532	DRIVE SLEEVE — S.S. — 7/8" DIA. BORE	1
19	28635	PIPE NIPPLE — STL — 1/4" NPT X 1-1/2"	1	11	22621	JAM NUT — S.S. — 1/2"-20	1
24	28509	GASKET — ADAPTER to ADAPTER	1	<b>FLANGE</b>			
<b>HOUSING</b>				3	22263	INLET FLANGE — CAST IRON — 1-1/2"	1
	23021	HOUSING ASSY — CAST IRON — INC.	1	3	22387	INLET FLANGE — CAST IRON — 2"	1
1	22251	HOUSING — CAST IRON	1	7	22266	OUTLET FLANGE — CAST IRON — 1-1/2"	1
5	21242	CAPSCREW — S.S. — 5/16"-18 X 7/8"	8	7	22311	OUTLET FLANGE — CAST IRON — 2"	1
4	21238	LOCKWASHER — S.S. — 5/16"	8	<b>SEAL</b>			
21	24965	CAPSCREW — S.S. — 5/16"-18 X 3/4"	6	22	28574	DOUBLE SEAL ASSY 1.00" DIA. SHAFT	1
23	21267	PIPE PLUG — S.S. — 1/4" NPT	1	<b>FLAPPER — SUCTION CHECK VALVE</b>			
6	22256	GASKET — OUTLET to ADAPTER	1	2	23022	FLAPPER ASSY	1
16	22255	GASKET — HOUSING to ADAPTER	1	2	26097	FLAPPER ASSY — EPDM — OPTIONAL	1
<b>CLAMP</b>				<b>WEAR PLATE</b>			
	23002	CLAMP ASSY — 3/4" DIA. SHAFT — INC.	1	23024	WEAR PLATE ASSY — INC.	1	
26	21946	CLAMP	2	10	22260	WEAR PLATE — STL	1
29	21264	CAPSCREW — S.S. — 5/16"-18 X 1-3/4"	2	12	21249	SCREW — S.S. — 5/16"-18 X 1"	2
4	21238	LOCKWASHER — S.S. — 5/16"	2	8	21237	ACORN NUT — S.S. — 5/16"-18	2
25	21284	HEXNUT — S.S. — 5/16"-18	2	9	21248	ANNULAR GASKET — 5/16"	2
	23003	CLAMP ASSY — 7/8" DIA. SHAFT — INC.	1				
26	21954	CLAMP	2				
29	21264	CAPSCREW — S.S. — 5/16"-18 X 1-3/4"	2				
4	21238	LOCKWASHER — S.S. — 5/16"	2				
25	21284	HEXNUT — S.S. — 5/16"-18	2				



**MP PUMPS, INC.**

34800 BENNETT • FRASER, MI 48026-1686  
 (586) 293-8240 • FAX (586) 293-8469  
 (800) 563-8006 • www.mppumps.com

**FORM 8095-A**

PRINTED IN U.S.A. (8-97)