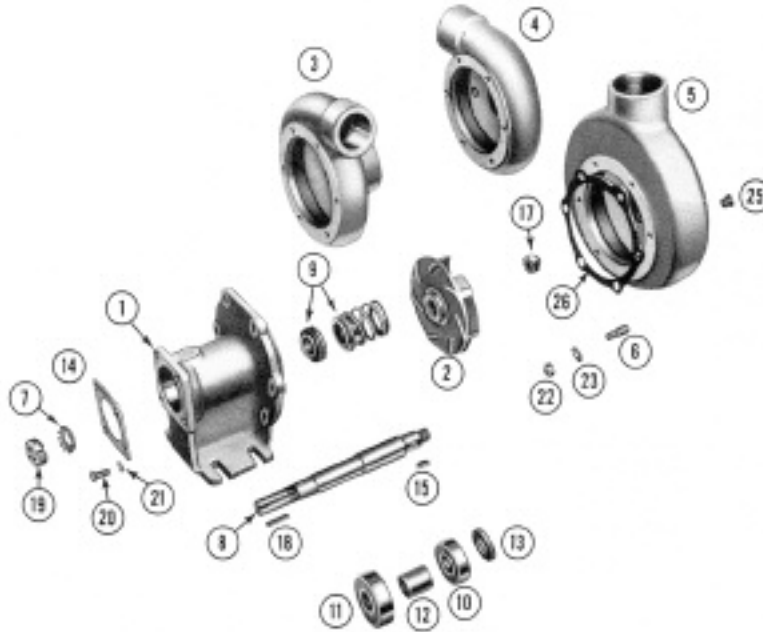


# MP PUMPS SERVICE PARTS LIST

- Straight Centrifugal
- Belt or Direct Drive
- Mechanical Seal

**Series 110 1½" x 1¼" Pipe Size**  
**Series 130 2" x 1½" Pipe Size**



**IMPORTANT:** When ordering parts, specify **MODEL** and **SERIAL NUMBER** shown on nameplate.  
 N/S means "not shown" in exploded view of parts.

| ITEM | PART NO. | DESCRIPTION | QUANTITY REQUIRED PER MODEL     |                 |                 |             |             |             |
|------|----------|-------------|---------------------------------|-----------------|-----------------|-------------|-------------|-------------|
|      |          |             | ALL MODELS LISTED ARE CAST IRON |                 |                 |             |             |             |
|      |          |             | METAL                           | R. HAND         | L. HAND         | R. HAND     | L. HAND     | REVERS.     |
|      |          |             | ROTAION                         | 1-1/2" X 1-1/4" | 1-1/2" X 1-1/4" | 2" X 1-1/2" | 2" X 1-1/2" | 2" X 1-1/2" |
|      |          |             | PIPE SIZE                       | 23206           | 23148           | 23209       | 23151       | 22624       |
|      |          |             | MODEL NO.                       |                 |                 |             |             |             |

## HOUSING

|    |       |                                       |  |   |   |   |  |  |
|----|-------|---------------------------------------|--|---|---|---|--|--|
|    | 22922 | Housing Assy. R.H. Cast Iron - Inc.   |  | 1 |   |   |  |  |
| 3  |       | Housing - Cast Iron                   |  | 1 |   |   |  |  |
| 6  | 21243 | Stud - S.S. - 5/16"                   |  | 6 |   |   |  |  |
| 25 | 21255 | Pipe Plug - S.S. - 1/8" NPT.          |  | 1 |   |   |  |  |
|    | 22925 | Housing Assy. L.H. - Cast Iron - Inc. |  |   | 1 |   |  |  |
| 4  |       | Housing - Cast Iron                   |  |   | 1 |   |  |  |
| 6  | 21243 | Stud - S.S. - 5/16"                   |  |   | 6 |   |  |  |
| 25 | 21255 | Pipe Plug - S.S. - 1/8" NPT.          |  |   | 1 |   |  |  |
|    | 22930 | Housing Assy. R.H. - Cast Iron - Inc. |  |   |   | 1 |  |  |
| 3  |       | Housing - Cast Iron                   |  |   |   | 1 |  |  |
| 6  | 21243 | Studding S.S. - 5/16"                 |  |   |   | 6 |  |  |
| 25 | 21255 | Pipe Plug - S.S. - 1/8" NPT.          |  |   |   | 2 |  |  |



**MP PUMPS, INC.**

34800 BENNETT • FRASER, MI 48026-1686  
 (586) 293-8240 • FAX (586) 293-8469  
 (800) 563-8006 • www.mppumps.com

**FORM 7008-B**

PRINTED IN U.S.A.

| ITEM      | PART NO. | DESCRIPTION | QUANTITY REQUIRED PER MODEL |                                 |                 |             |             |             |
|-----------|----------|-------------|-----------------------------|---------------------------------|-----------------|-------------|-------------|-------------|
|           |          |             | METAL                       | ALL MODELS LISTED ARE CAST IRON |                 |             |             |             |
|           |          |             | ROTATION                    | R. HAND                         | L. HAND         | R. HAND     | L. HAND     | REVERS.     |
|           |          |             | PIPE SIZE                   | 1-1/2" X 1-1/4"                 | 1-1/2" X 1-1/4" | 2" X 1-1/2" | 2" X 1-1/2" | 2" X 1-1/2" |
| MODEL NO. | 23206    | 23148       | 23209                       | 23151                           | 22624           |             |             |             |

#### HOUSING (Continued)

|    |       |                                       |   |   |   |   |   |
|----|-------|---------------------------------------|---|---|---|---|---|
|    | 22932 | Housing Assy. L.H. - Cast Iron - Inc. |   |   |   |   | 1 |
| 4  |       | Housing - Cast Iron                   |   |   |   |   | 6 |
| 6  | 21243 | Stud - S.S. - 5/16"                   |   |   |   |   | 1 |
| 25 | 21255 | Pipe Plug - S.S. - 1/8" NPT           |   |   |   |   |   |
|    | 22950 | Housing Assy. Rev. - Cast Iron - Inc. |   |   |   |   |   |
| 5  |       | Housing - Cast Iron                   |   |   |   |   | 1 |
| 6  | 21243 | Stud - S.S. - 5/16"                   |   |   |   |   | 6 |
| 25 | 21255 | Pipe Plug - S.S. - 1/8" NPT           |   |   |   |   | 3 |
| 22 | 21244 | Hex Nut - S.S. - 5/16"                | 6 | 6 | 6 | 6 | 6 |
| 23 | 21238 | Lockwasher - S.S. - 5/16"             | 6 | 6 | 6 | 6 | 6 |
| 26 | 21149 | Gasket                                | 1 | 1 | 1 | 1 | 1 |

#### IMPELLER

|     |       |  |   |   |   |   |   |
|-----|-------|--|---|---|---|---|---|
| 2   | 22610 | Impeller - Cast Iron                   | 1 | 1 |   |   |   |
| 2   | 22628 | Impeller - Cast Iron                   |   |   | 1 |   |   |
| 2   | 22632 | Impeller - Cast Iron                   |   |   |   | 1 |   |
| 2   | 22635 | Impeller - Cast Iron                   |   |   |   |   | 1 |
| 15  | 21163 | Key - S.S. - #6<br>(Impeller to shaft) | 1 | 1 | 1 | 1 | 1 |
| 17  | 22621 | Lock Nut - 1/2"                        | 1 | 1 | 1 | 1 | 1 |
| N/S | 22305 | Shim - S.S. - 5/8"                     | 2 | 2 | 2 | 2 | 2 |

#### SEAL

|    |       |                    |   |   |   |   |   |
|----|-------|--------------------|---|---|---|---|---|
| 9  | 22640 | Seal Assembly      | 1 | 1 | 1 | 1 | 1 |
| 13 | 21198 | Slinger - Neoprene | 1 | 1 | 1 | 1 | 1 |

#### SHAFT

|    |       |                           |   |   |   |   |   |
|----|-------|---------------------------|---|---|---|---|---|
| 8  | 22622 | Shaft - S.S.              | 1 | 1 | 1 | 1 | 1 |
| 18 | 21937 | Key - 3/16" - Drive       | 1 | 1 | 1 | 1 | 1 |
| 19 | 22652 | Lock Nut                  | 1 | 1 | 1 | 1 | 1 |
| 7  | 22651 | Lockwasher - Ball Bearing | 1 | 1 | 1 | 1 | 1 |

#### BODY

|    |       |                                |   |   |   |   |   |
|----|-------|--------------------------------|---|---|---|---|---|
| 1  | 22614 | Body - Cast Iron               | 1 | 1 | 1 | 1 | 1 |
| 10 | 22618 | Bearing - Impeler End          | 1 | 1 | 1 | 1 | 1 |
| 11 | 22620 | Bearing - Pulley End           | 1 | 1 | 1 | 1 | 1 |
| 14 | 21210 | Bearing Retainer               | 1 | 1 | 1 | 1 | 1 |
| 12 | 22617 | Spacer - Bearing               | 1 | 1 | 1 | 1 | 1 |
| 20 | 21258 | Screw - S.S. - 1/4" - Retainer | 4 | 4 | 4 | 4 | 4 |
| 21 | 21192 | Lockwasher                     | 4 | 4 | 4 | 4 | 4 |



**MP PUMPS, INC.**

34800 BENNETT • FRASER, MI 48026-1686  
 (586) 293-8240 • FAX (586) 293-8469  
 (800) 563-8006 • www.mppumps.com

**FORM 7008-B**

PRINTED IN U.S.A