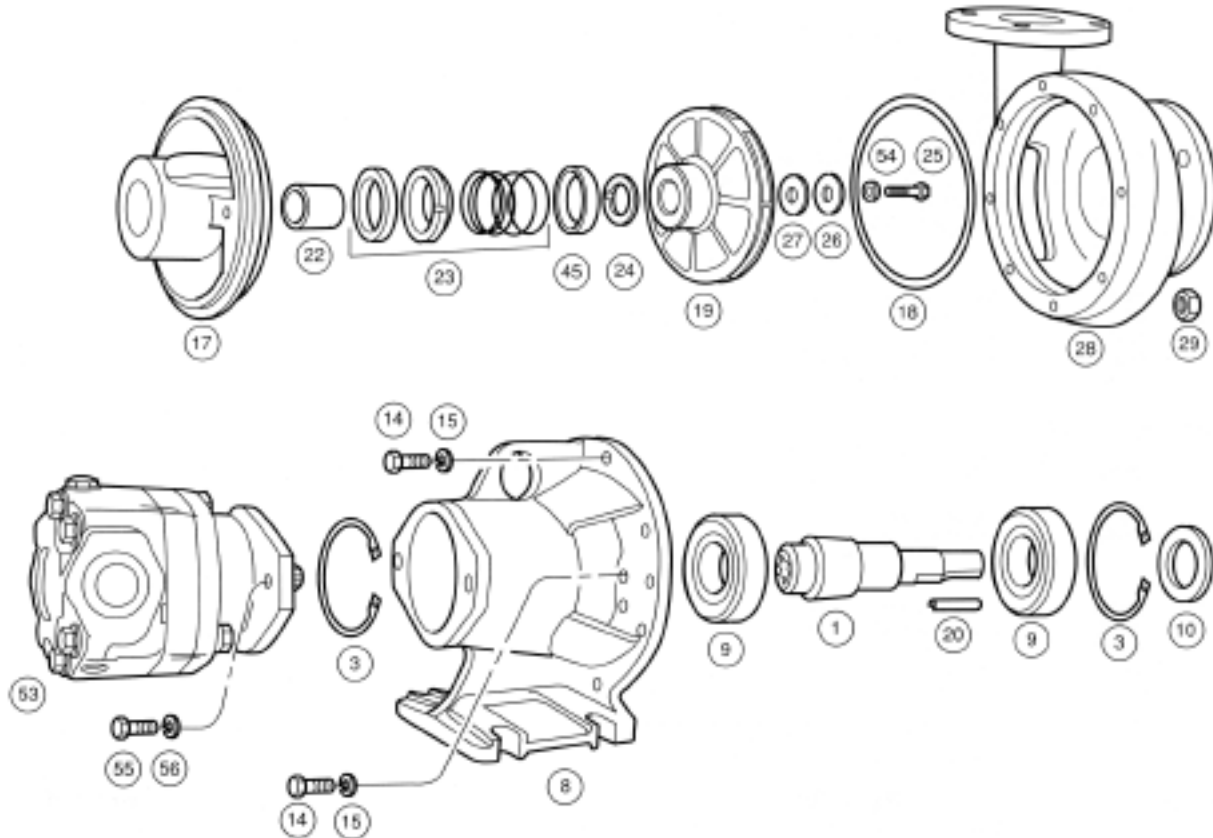


MP PUMPS SERVICE PARTS LIST

- Straight Centrifugal • Foot Mounted
- Hydraulic Motor Drive • Mechanical Seal

SERIES 300
3" x 2 1/2" Pipe Size



IMPORTANT: When ordering parts, specify MODEL and SERIAL NUMBER shown on nameplate.

ITEM NO.	PART NO.	DESCRIPTION	QUANTITY REQUIRED PER MODEL		
			ROTATION	ALL MODELS LISTED ARE RIGHT HAND	
			PIPE SIZE	ALL MODELS LISTED ARE 3" x 2 1/2"	
			METAL	CAST IRON	DUCTILE IRON

HOUSING

28	26733	Housing — Cast Iron		1	
28	NA	Housing — Ductile Iron			1
29	22856	Pipe Plug s.s. 1/2"		2	2
14	21274	Cap Screw s.s. 3/8"		10	10
15	21268	Lockwasher s.s. 3/8"		8	8
18	26744	Gasket		1	1



MP PUMPS, INC.

34800 BENNETT • FRASER, MI 48026-1686
 (586) 293-8240 • FAX (586) 293-8469
 (800) 563-8006 • www.mppumps.com

FORM 7075-B

PRINTED IN U.S.A. (11-98)

ITEM NO.	PART NO.	DESCRIPTION	QUANTITY REQUIRED PER MODEL		
			ROTATION	ALL MODELS LISTED ARE RIGHT HAND	
			PIPE SIZE	ALL MODELS LISTED ARE 3" x 2 1/2"	
			METAL	CAST IRON	DUCTILE IRON

FLANGE

19	26788	Impeller — Ductile Iron — 7.00"		1	1
19	27015	Impeller — Ductile Iron — 6.62" (Optional)		1	1
19	27014	Impeller — Ductile Iron — 6.38" (Optional)		1	1
19	27013	Impeller — Ductile Iron — 5.70" (Optional)		1	1
24	26684	Gasket Teflon		1	1
25	26674	SEELBOLT s.s. 1/2"		1	1
54	27045	"O" Ring (included with item 25)		1	1
26	26675	Washer s.s.		1	1
27	26676	Gasket Teflon		1	1
20	26796	Square Key s.s. 1/4"		1	1
N/S	27105	Loctite 271 — .5 cc		1	1
N/S	27216	NEVER-SEEZ — 1 oz. tube		1	1
N/S	27106	Service Kit — Major includes items 25, 26, 27, 24, 20, Loctite 271 and NEVER-SEEZ		1	1
N/S	27240	Service Kit — Minor includes items 27, 24, 54 and Loctite 271		1	1

SEAL

23	26685	Seal Assembly — Self-Lubricated		1	1
23	26752	Severe Service Seal — Self-Lubricated (Optional)		1	1
45	26972	Spring Keeper s.s.		1	1
22	26996	Shaft Sleeve — Stainless Steel		1	1
10	26680	Slinger Neoprene		1	1

ADAPTOR — MECHANICAL SEAL

17	NA	Adaptor — Cast Iron		1	
17	NA	Adaptor — Ductile Iron			1
14	21274	Cap Screw s.s. 3/8"		4	4
15	21266	Lockwasher s.s. 3/8"		2	2

BODY

8	26994	Pedestal Body — Cast Iron		1	1
1	26995	Shaft — (Spine) — Steel		1	1
9	26997	Ball Bearing		2	2
3	26998	Snap Ring		2	2
55	21246	Cap Screw s.s. 1/2"		2	2
56	21254	Lockwasher s.s. 1/2"		2	2
53	29993	Hydraulic Motor — 1.59 cu. in displ.		1	1
53	29992	Hydraulic Motor — 1.16 cu. in displ.		1	1

SPECIAL NOTE

Customers desiring to change from standard Viton or Severe Service Seals to the all metal bellows seal must order the following parts to make the seal change.

NEW PARTS	QUANTITY	REPLACES
27181	1	25788
27180	1	25737
or NA		
Seal Adaptor — Ductile Iron	1	25792
27179	1	—
27178	1	26685/26752
26976	1	—

(NOT REQUIRED ON PUMPS SERIAL NO. B2C0001 AND ABOVE)



MP PUMPS, INC.

34800 BENNETT • FRASER, MI 48026-1686
(586) 293-8240 • FAX (586) 293-8469
(800) 563-8006 • www.mppumps.com

FORM 7075-B

PRINTED IN U.S.A. (11-98)