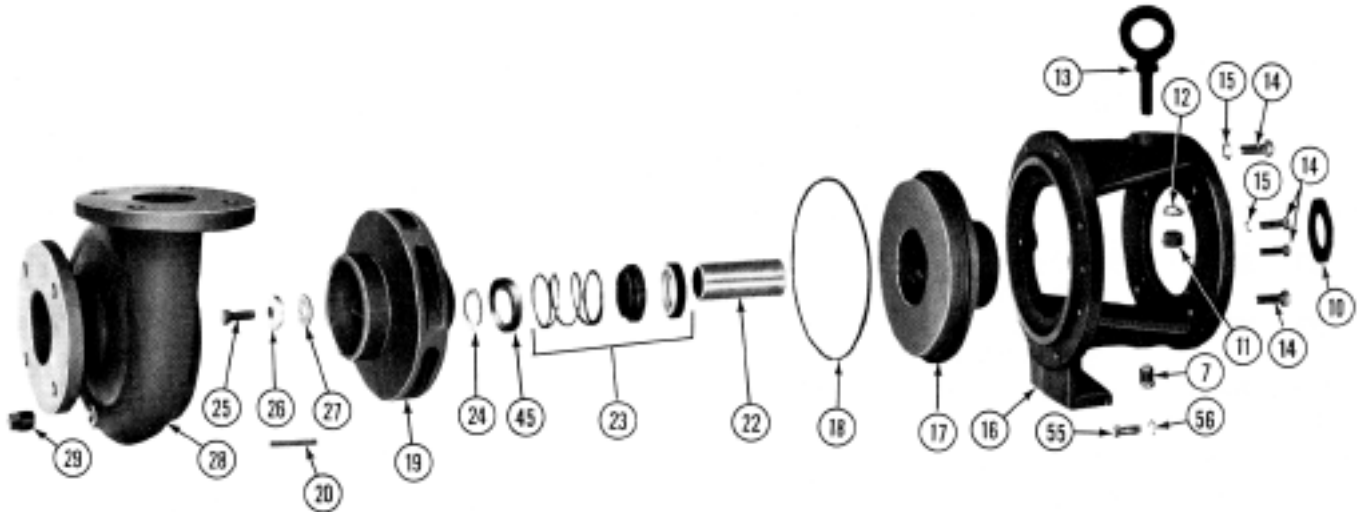


# MP PUMPS SERVICE PARTS LIST

- Straight Centrifugal
- Electric Motor Drive
- Mechanical Seal

**Series 110 1½" x 1¼" Pipe Size**  
**Series 300 3" x 2½" Pipe Size**



**IMPORTANT:** When ordering parts, specify MODEL and SERIAL NUMBER shown on nameplate.  
 N/S means "not shown" in exploded view of parts.

ITEM	PART NO.	DESCRIPTION	QUANTITY REQUIRED PER MODEL		
			ROTATION — All Models Listed Are Right Hand		
			PIPE SIZE - 3" x 2-1/2"		
			METAL	CAST IRON	DUCTILE IRON

## HOUSING

28	26733	Housing - Cast Iron		1	
28	NA	Housing - Ductile Iron			1
29	22656	Pipe Plug s.s. 1/2"		2	2
14	21274	Cap Screw s.s. 3/8"		10	10
15	21266	Lockwasher s.s. 3/8"		8	8
18	26744	Gasket		1	1

## IMPELLER

19	26788	Impeller - Ductile Iron 7.0" (Model 26826)		1	
19	27015	Impeller - Ductile Iron 6.62" (Model 26812)		1	
19	27014	Impeller - Ductile Iron 6.38" (Model 26811)		1	
19	27013	Impeller - Ductile Iron 5.7" (Model 26810)		1	
19	NA	Impeller - Ductile Iron 7.0" (Model 27603)			1
19	NA	Impeller - Ductile Iron 6.62" (Model 27602)			1



**MP PUMPS, INC.**

34800 BENNETT • FRASER, MI 48026-1686  
 (586) 293-8240 • FAX (586) 293-8469  
 (800) 563-8006 • www.mppumps.com

**FORM 7086-B**

PRINTED IN U.S.A.

ITEM	PART NO.	DESCRIPTION	QUANTITY REQUIRED PER MODEL		
			ROTATION — All Models Listed Are Right Hand PIPE SIZE - 2" x 1-1/2"		
			METAL	CAST IRON	DUCTILE IRON

#### IMPELLER, Continued

19	NA	Impeller - Ductile Iron 6.38" (Model 27601)			1
19	NA	Impeller - Ductile Iron 5.7" (Model 27600)			1
25	26674	Seelbolt s.s. 1/2"		1	1
26	26675	Washer s.s.		1	1
27	27403	Gasket-Rulon		1	1
20	26796	Square Key s.s. 1/4"		1	1

#### SEAL

23	26685	Seal Assembly Self Lubricated		1	1
23	26752	Severe Service Seal Self Lubricated		1	1
22	26678	Shaft Sleeve-Stainless Steel		1	1
24	27404	Gasket-Rulon		1	1
10	26680	Slinger-Neoprene		1	1
45	26972	Spring Keeper-Stainless Steel		1	1

#### ADAPTOR - Mechanical Seal

17	26737	Adaptor - Cast Iron		1	
17	NA	Adaptor - Ductile Iron			1
14	21274	Cap Screw s.s. 3/8"		4	4
15	21266	Lockwasher s.s. 3/8"		2	2
16	26739	Adaptor - Cast Iron		1	1
7	21267	Pipe Plug s.s. 1/4" NPT		1	1
55	21246	Cap Screw s.s. 1/2"		4	4
56	21254	Lock washer s.s.		4	4
13	26686	Eye Bolt-Steel		1	1
12	26258	Lockwasher-Steel 5/8"		1	1
11	22461	Hex Nut-Steel 5/8"		1	1



**MP PUMPS, INC.**

34800 BENNETT • FRASER, MI 48026-1686  
 (586) 293-8240 • FAX (586) 293-8469  
 (800) 563-8006 • www.mppumps.com

**FORM 7086-B**

PRINTED IN U.S.A