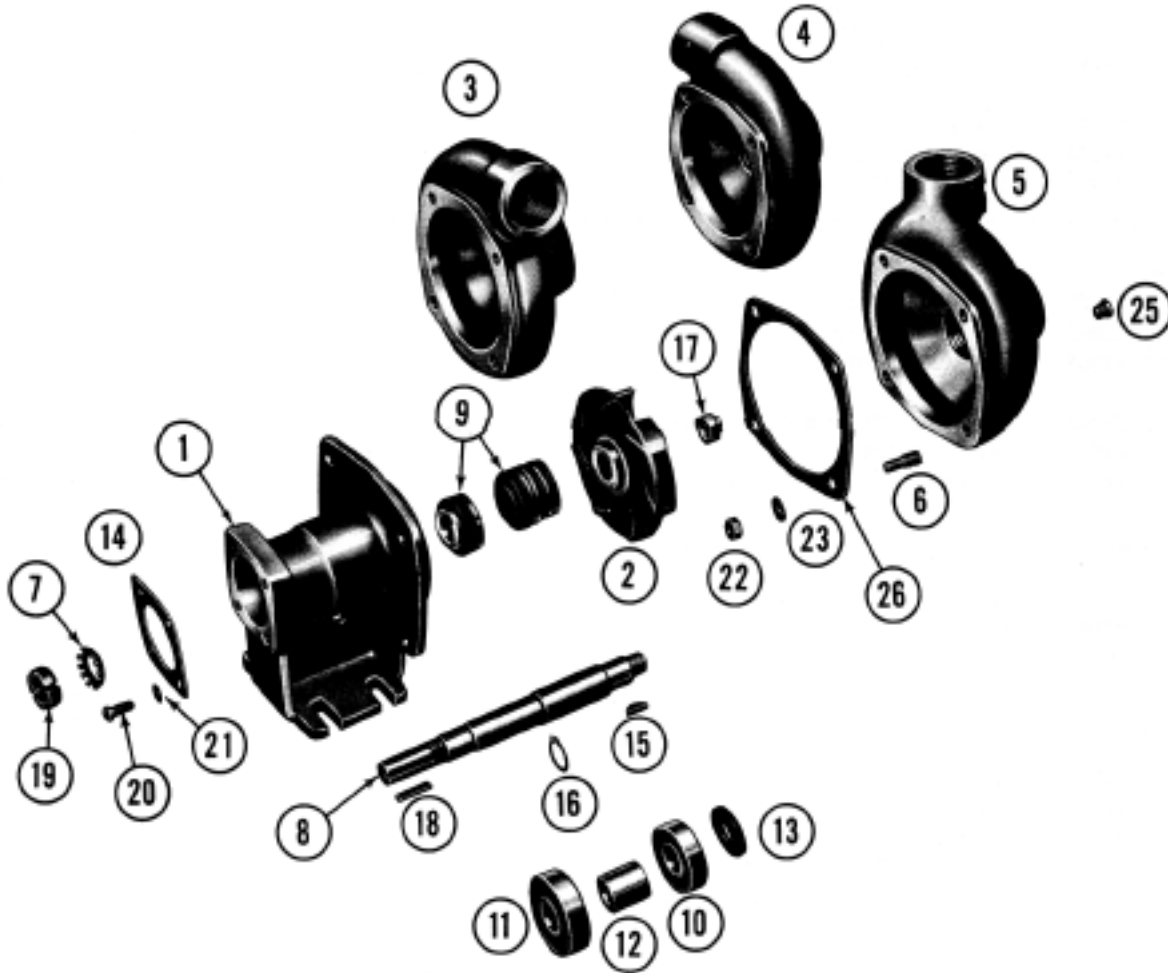


MP PUMPS SERVICE PARTS LIST

- Foot Mounted • Belt or Direct Drive • Mechanical Seal
- Bronze Construction • Right Hand, Left Hand, Reversible Design

SERIES 30
1" x 3/4" Pipe Size



IMPORTANT: When ordering parts, specify model and serial number shown on nameplate.

| ITEM NO. | PART NO. | DESCRIPTION | QUANTITY REQUIRED PER MODEL | | | |
|----------|----------|-------------|---------------------------------|---------|---------|------------|
| | | | METAL | R. HAND | L. HAND | REVERSIBLE |
| | | | ALL MODELS LISTED ARE BRONZE | | | |
| | | | ALL MODELS LISTED ARE 1" x 3/4" | | | |
| | | | | | | |
| | | | 23202 | 23144 | | NA |

HOUSING

| | | | | | | |
|----|-------|-------------------------|---|--|--|---|
| | 22914 | Housing Assembly - Inc: | | | | |
| 3 | | Housing - Bronze | 1 | | | |
| 6 | 21150 | Stud - Br. - 5/16" | 4 | | | |
| 25 | 21185 | Pipe Plug - 1/8" NPT | 1 | | | |
| | 22917 | Housing Assembly - Inc: | | | | 1 |
| 4 | | Housing - Bronze | | | | 1 |
| 6 | 21150 | Stud - Br. - 5/16" | | | | 4 |
| 25 | 21185 | Pipe Plug - 1/8" NPT | | | | 1 |



MP PUMPS, INC.

34800 BENNETT • FRASER, MI 48026-1686
 (586) 293-8240 • FAX (586) 293-8469
 (800) 563-8006 • www.mppumps.com

FORM 7021-A

PRINTED IN U.S.A.

| ITEM NO. | PART NO. | DESCRIPTION | QUANTITY REQUIRED PER MODEL | | |
|-----------|----------|-------------|-----------------------------|---------------------------------|---------|
| | | | METAL | ALL MODELS LISTED ARE BRONZE | |
| | | | PIPE SIZE | ALL MODELS LISTED ARE 1" x 3/4" | |
| | | | ROTATION | R. HAND | L. HAND |
| MODEL NO. | 23202 | 23144 | NA | | |

HOUSING

| | | | | | |
|----|-----------|-------------------------|---|---|---|
| | NA | Housing Assembly - Inc. | | | |
| 5 | | Housing - Bronze | | | 1 |
| 6 | 21150 | Stud - Br. - 5/16" | | | 4 |
| 25 | 21185 | Pipe Plug - 1/8" NPT | | | 1 |
| 22 | 21179 | Hex Nut - Br. - 5/16" | 4 | 4 | 4 |
| 23 | 21184 | Washer - Br. - 5/16" | 4 | 4 | 4 |
| 26 | 21126 | Gasket - 010" | 4 | 4 | 4 |

IMPELLER

| | | | | | |
|-----|-----------|-------------------------------------|---|---|---|
| 2 | 22572 | Impeller - Bronze | 1 | | |
| 2 | 22582 | Impeller - Bronze | | 1 | |
| 2 | NA | Impeller - Bronze | | | 1 |
| 15 | 21865 | Key - S.S. - #2 - Impeller to Shaft | 1 | 1 | 1 |
| 17 | 22588 | Nut - S.S. - 3/8" | 1 | 1 | 1 |
| N/S | 22602 | Shim - S.S. - 1/2" | 2 | 2 | 2 |

SEAL

| | | | | | |
|----|-------|---------|---|---|---|
| 9 | 22590 | Seal | 1 | 1 | 1 |
| 13 | 21435 | Slinger | 1 | 1 | 1 |

SHAFT

| | | | | | |
|----|-------|--------------------|---|---|---|
| 8 | 22574 | Shaft - S.S. | 1 | 1 | 1 |
| 19 | 22579 | Locknut | 1 | 1 | 1 |
| 7 | 22580 | Lockwasher | 1 | 1 | 1 |
| 18 | 22587 | Key - 1/8" - Drive | 1 | 1 | 1 |

BODY

| | | | | | |
|----|-------|--------------------------------|---|---|---|
| 1 | 22569 | Body - Bronze | 1 | 1 | 1 |
| 10 | 22576 | Bearing - Impeller End | 1 | 1 | 1 |
| 11 | 22575 | Bearing - Drive End | 1 | 1 | 1 |
| 12 | 22577 | Spacer | 1 | 1 | 1 |
| 16 | 22581 | Retaining Ring | 1 | 1 | 1 |
| 14 | 21142 | Bearing Retainer | 1 | 1 | 1 |
| 20 | 21177 | Round Head Screw - Br. - 10-20 | 4 | 4 | 4 |
| 21 | 21621 | Lockwasher - #10 | 4 | 4 | 4 |



MP PUMPS, INC.

34800 BENNETT • FRASER, MI 48026-1686
 (586) 293-8240 • FAX (586) 293-8469
 (800) 563-8006 • www.mppumps.com

FORM 7021-A

PRINTED IN U.S.A.