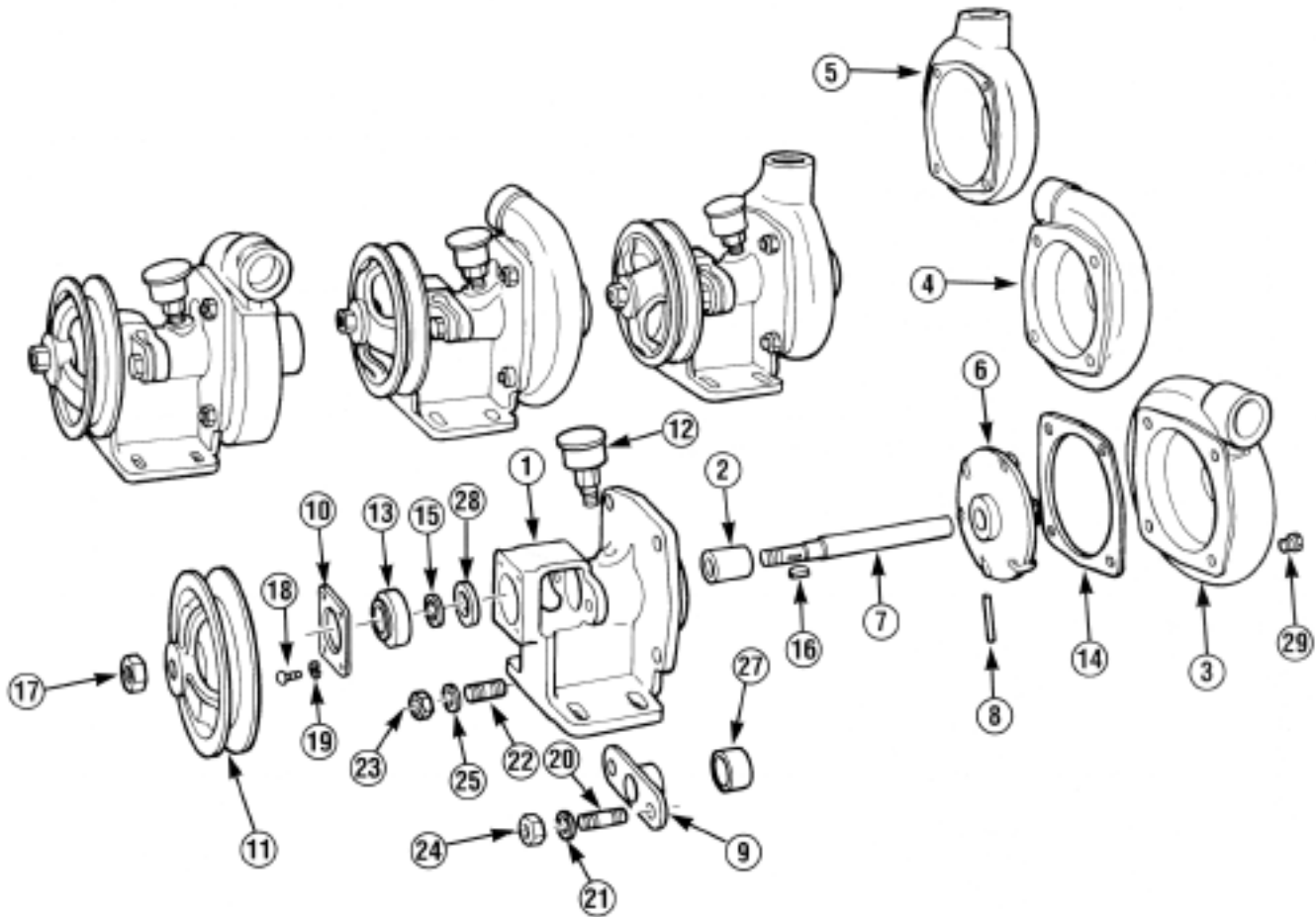


MP PUMPS SERVICE PARTS LIST

• Foot-Mounted Pumps
with Stuffing Box Seal and Pulley

Series 30
Straight Centrifugals



IMPORTANT: When ordering parts, specify model and serial number shown on nameplate.

ITEM NO.	PART NO.	DESCRIPTION	QUANTITY REQUIRED PER MODEL			
			METAL	ALL MODELS LISTED ARE BRONZE		
			PIPE SIZE	ALL MODELS LISTED ARE 1" x 3/4"		
			ROTATION	R. HAND	L. HAND	REVERSIBLE
			MODEL NO.	23166	23119	NA
HOUSING						
	22914	Housing Assembly — Includes:		1		
3	21106	Housing — Bronze		1		
22	21150	Stud — Br. 5/16"		4		
12	21185	Pipe Plug — Br. — 1/8" NPT		1		
	22917	Housing Assembly — Includes:			1	
4	21110	Housing — Bronze			1	
22	21150	Stud — Br. — 5/16"			4	
12	21185	Pipe Plug — Br. — 1/8" NPT			1	
	NA	Housing Assembly — Includes:				1
5	NA	Housing — Bronze				1
22	21150	Stud — Br. — 5/16"				4
12	21185	Pipe Plug — Br. — 1/8" NPT				1



34800 BENNETT • FRASER, MI 48026-1686
(586) 293-8240 • FAX (586) 293-8469
(800) 563-8006 • www.mppumps.com

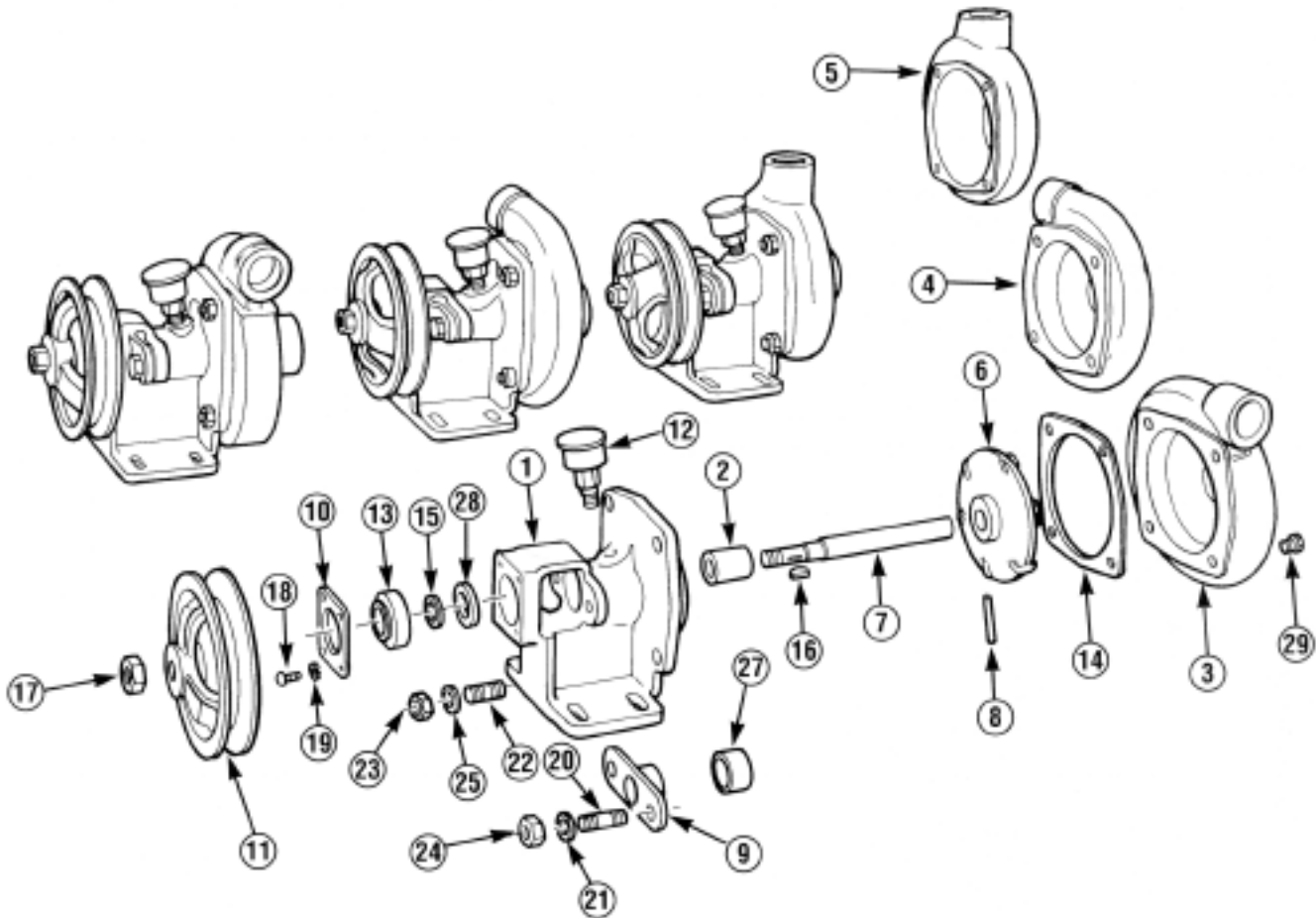
FORM 7025-B

PRINTED IN U.S.A.—GB

MP PUMPS SERVICE PARTS LIST

• Foot-Mounted Pumps
with Stuffing Box Seal and Pulley

Series 30
Straight Centrifugals



IMPORTANT: When ordering parts, specify model and serial number shown on nameplate.

ITEM NO.	PART NO.	DESCRIPTION	QUANTITY REQUIRED PER MODEL			
			METAL	ALL MODELS LISTED ARE BRONZE		
			PIPE SIZE	ALL MODELS LISTED ARE 1" x 3/4"		
			ROTATION	R. HAND	L. HAND	REVERSIBLE
			MODEL NO.	23166	23119	NA
HOUSING						
	22914	Housing Assembly — Includes:		1		
3	21106	Housing — Bronze		1		
22	21150	Stud — Br. 5/16"		4		
12	21185	Pipe Plug — Br. — 1/8" NPT		1		
<hr/>						
	22917	Housing Assembly — Includes:			1	
4	21110	Housing — Bronze			1	
22	21150	Stud — Br. — 5/16"			4	
12	21185	Pipe Plug — Br. — 1/8" NPT			1	
<hr/>						
	NA	Housing Assembly — Includes:				1
5	NA	Housing — Bronze				1
22	21150	Stud — Br. — 5/16"				4
12	21185	Pipe Plug — Br. — 1/8" NPT				1



MP PUMPS, INC.

34800 BENNETT • FRASER, MI 48026-1686
(586) 293-8240 • FAX (586) 293-8469
(800) 563-8006 • www.mppumps.com

FORM 7025-B

PRINTED IN U.S.A.—GB