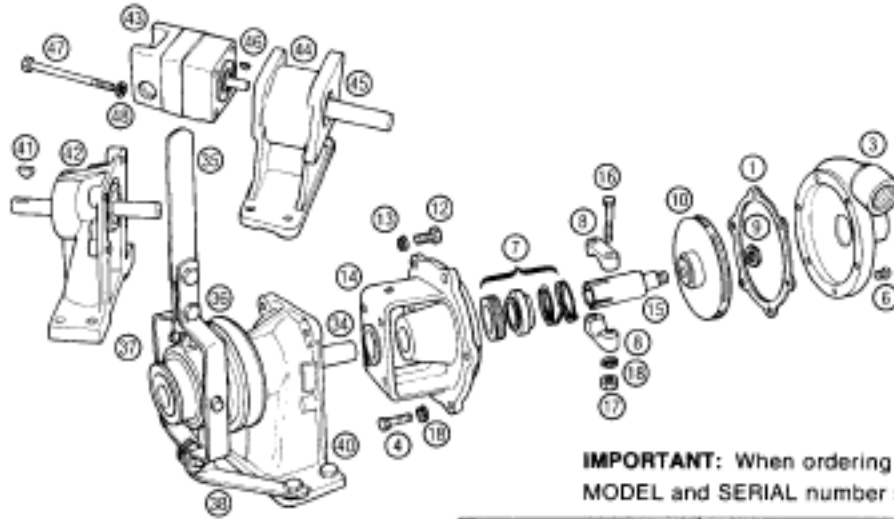


MP PUMPS SERVICE PARTS LIST

- Pedestal Drive • Hydraulic Pedestal Drive • Clutch Pedestal Drive
- Cast Iron, Bronze, Aluminum Construction • Mechanical Seal

SERIES 80

1½" x 1¼" Pipe Size



IMPORTANT: When ordering parts, specify MODEL and SERIAL number shown on nameplate.

ITEM NO.	PART NO.	DESCRIPTION	QUANTITY REQUIRED PER MODEL		
			CAST IRON	ALUMINUM	BRONZE
		HOUSING			
3	25840	Housing Assembly C.I. Horizontal — Inc.:	1		
3	25835	Housing Assembly C.I. Vertical — Inc.: Optional Housing C.I.	1		
4	25663	Capscrew S.S. 3/8" x 16-3/4"	6		
18	21266	Lockwasher — S.S. 3/8"	6		
6	21255	Pipe Plug S.S. 1/8"	1		
1	25662	Gasket, Housing	1		
3	NA	Housing Assembly Aluminum Horizontal — Inc.:		1	
3	NA	Housing Assembly Aluminum Vertical — Optional — Inc.:		1	
		Housing Aluminum		1	
4	25663	Capscrew S.S. 3/8"-16" x 3/4"		6	
18	21266	Lockwasher S.S. 3/8"		6	
6	21255	Pipe Plug S.S. 1/8"		1	
1	25662	Gasket, Housing		1	
3	25842	Housing Assembly Bronze — Horizontal — Inc.:			1
3	NA	Housing Assembly Bronze — Vertical — Optional — Inc.:			1
		Housing			1
4	25663	Capscrew S.S. 3/8"—16" x 3/4"			6
18	21266	Lockwasher S.S. 3/8"			6
6	21185	Pipe Plug Bronze 1/8"			1
1	25662	Gasket, Housing			1
		IMPELLER — ENCLOSED			
10	25668	Impeller — 5.9" Bronze — Standard	1		1
10	25910	Impeller — 5.9" Cast Iron — Optional	1		
10	NA	Impeller — 5.9" Aluminum		1	
9	22655	Hex Jam Nut S.S. 5/8"	1	1	1
15	22286	Drive Sleeve S.S. 3/4"	1	1	1



MP PUMPS, INC.

34800 BENNETT • FRASER, MI 48026-1686
 (586) 293-8240 • FAX (586) 293-8469
 (800) 563-8006 • www.mppumps.com

FORM 7055-B

PRINTED IN U.S.A. (8-97)

SERIES 80			QUANTITY REQUIRED PER MODEL		
			CAST IRON	ALUMINUM	BRONZE
MODEL NO.					
PUMPAK ONLY			25796(H)	NA	25795(H)
GAS ENGINE DRIVE			NA	NA	NA
PEDESTAL PUMP			OBS	NA	25801(H)
HYDRAULIC PEDESTAL			29962 (H)	29962 (H)	29962 (H)
CLUTCH DRIVEN			NA	NA	NA

ITEM NO.	PART NO.	DESCRIPTION	CAST IRON	ALUMINUM	BRONZE
SEAL					
7	22272	Seal Assembly	1	1	1

CLAMP					
8	23002	Clamp Assembly Inc.:	1	1	1
		Clamp	2	2	2
16	21264	Capscrew S.S. 5/16"—18 x 1-3/4"	2	2	2
17	21284	Hex Nut S.S. 5/16"	2	2	2
18	21238	Lockwasher S.S. 5/16"	2	2	2

ADAPTOR					
14	25791	Adaptor, Cast Iron	1		
14	NA	Adaptor, Aluminum		1	
14	25789	Adaptor, Bronze			1
12	21242	Capscrew 5/16"—18 x 7/8" S.S.	4	4	4
13	21238	Lockwasher S.S. 5/16"	4	4	4

PEDESTAL ASSEMBLY					
42	26142	Pedestal Assembly — Inc.:	1	1	1
42	26140	Pedestal Body	1	1	1
41	22321	Woodruff Key #11	1	1	1
12	21242	Capscrew	4	4	4
13	21238	Lockwasher	4	4	4
N/S	26085	Shaft	1	1	1
N/S	22300	Ball Bearing	2	2	2
N/S	21695	Snap Ring	1	1	1

CLUTCH AND PEDESTAL ASSEMBLY					
40 & 36	24462	Clutch & Pedestal Assembly Inc.:	1	1	1
40	26290	Pedestal Assembly — Inc.:	1	1	1
34	26288	Shaft	1	1	1
12	21242	Capscrew S.S. 5/16"—18 x 7/8"	4	4	4
13	21238	Lockwasher S.S. 5/16"	4	4	4
N/S	22300	Ball Bearing	2	2	2
N/S	22321	Woodruff Key #11	1	1	1
N/S	21695	Snap Ring	1	1	1
N/S	26140	Pedestal Body	1	1	1
36	24435	Clutch Assembly — Inc.:	1	1	1
35	24431	Handle	1	1	1
37	24430	Yoke	2	2	2
N/S	24432	Clutch Only	1	1	1
N/S	24433	Bracket — Left	1	1	1
38	24434	Bracket — Right	1	1	1
N/S	21192	Lockwasher	3	3	3
N/S	21241	Hex Nut S.S. 1/4"—20"	3	3	3
N/S	21247	Screw S.S. 1/4"—20"	3	3	3

HYDRAULIC MOTOR & PEDESTAL ASSEMBLY					
43 & 44	29962	Hydraulic Motor & Pedestal Assembly Inc.:	1	1	1
44	25681	Pedestal Assembly	1	1	1
45	25472	Shaft	1	1	1
N/S	25470	Pedestal Casting	1	1	1
N/S	22301	Ball Bearing	2	2	2
N/S	25473	Adaptor Ring	1	1	1
N/S	25478	Retaining Ring	1	1	1
12	21242	Capscrew S.S. 5/16"—18 x 7/8"	4	4	4
13	21238	Lockwasher S.S. 5/16"	4	4	4
43	25476	Hydraulic Motor — Only Inc.:	1	1	1
46	21865	Woodruff Key #2	1	1	1
Not Included:					
47	25477	Capscrew 5/16" x 4-1/2"	4	4	4
48	21238	Lockwasher S.S. 5/16"	4	4	4
N/S	26374	"O" Ring Repair Kit for Hydraulic Motor	1	1	1

 **MP PUMPS, INC.**
 34800 BENNETT • FRASER, MI 48026-1686
 (586) 293-8240 • FAX (586) 293-8469
 (800) 563-8006 • www.mppumps.com

FORM 7055-C
 PRINTED IN U.S.A. (8-97)