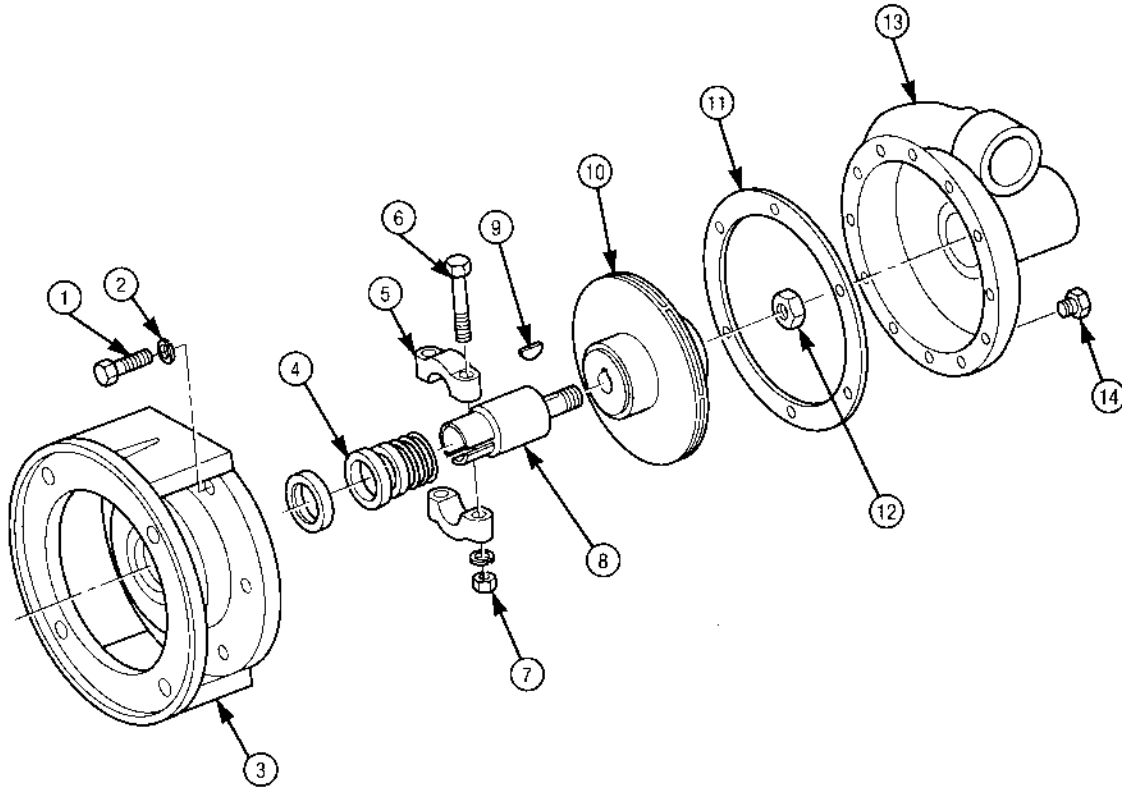


MP PUMPS SERVICE PARTS LIST

- End Suction
- Electric Motor Drive 182TC-184TC
- Pumpak
- Mechanical Seal

SERIES 120
2" x 1 1/2" Pipe Size



ITEM	PART NO.	DESCRIPTION	QTY.	ITEM	PART NO.	DESCRIPTION	QTY.
1	21291	Capscrew — Stainless Steel	6	9	21762	Wpodruff Key Stainless Steel	1
2	21266	Lockwasher — Stainless Steel	8	10	27027	Impeller — 6.0 DIA. — Cast Iron	1
3	22433	Adaptor — Cast Iron	1		26760	Impeller — 6.0 DIA. — Bronze N/S	1
	22432	Adaptor — Bronze N/S	1	11	25662	Gasket	1
4	22361	Service Seal	1	12	22655	Hex Jam Nut Stainless Steel	1
5	22356	Clamp	2	13	26587	Housing — Ductile Iron	1
6	21269	Capscrew — Stainless Steel	2		26612	Housing — Bronze N/S	1
7	21268	Hexnut — Stainless Steel	2	14	21585	Pipe Plug 1/8 N.P.T.	2
8	22679	Drive Sleeve — Stainless Steel	1	15	27666	Shim Steel — (28GA.) N/S	1



MP PUMPS, INC.

34800 BENNETT • FRASER, MI 48026-1686
 (586) 293-8240 • FAX (586) 293-8469
 (800) 563-8006 • www.mppumps.com

FORM 3045

PRINTED IN U.S.A. (1-97)