

## SELF PRIMING TRASH PUMP FEATURES

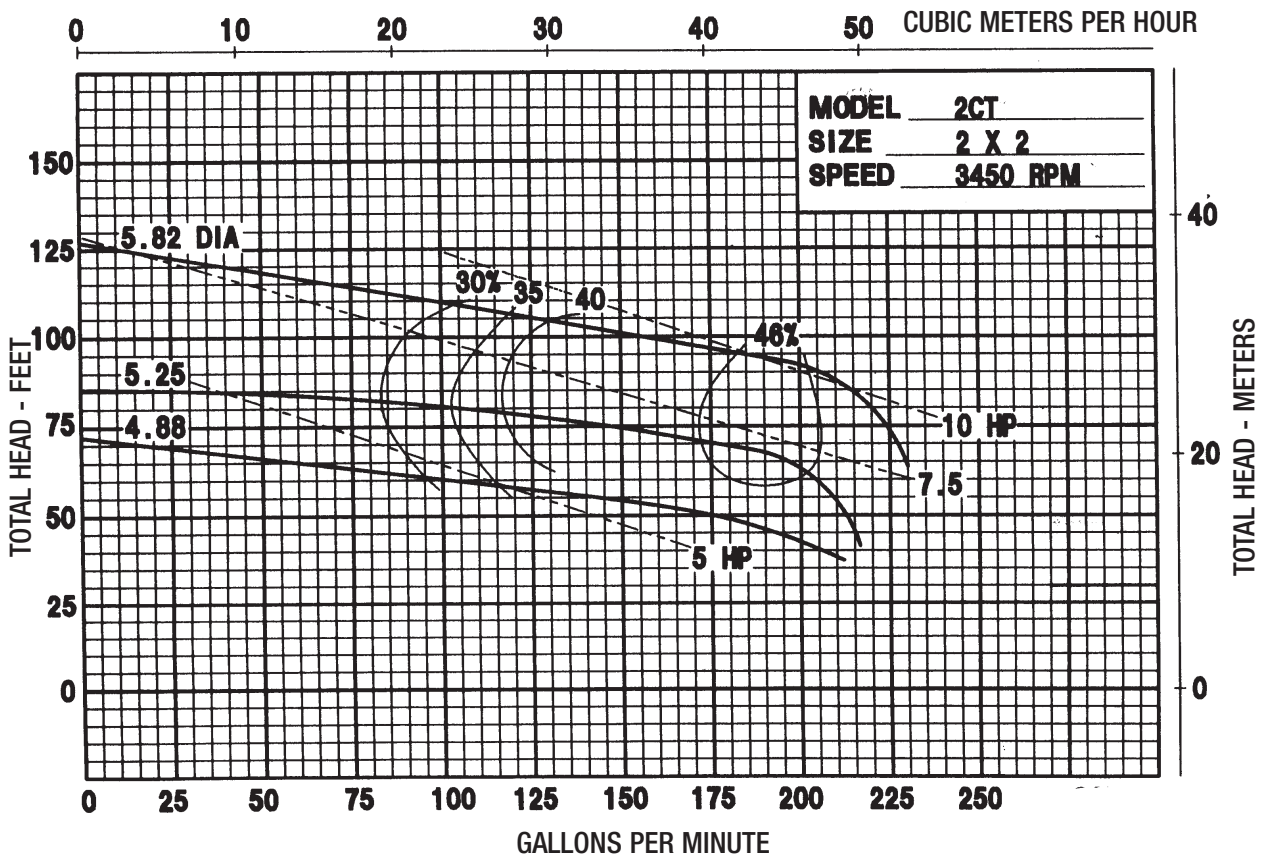
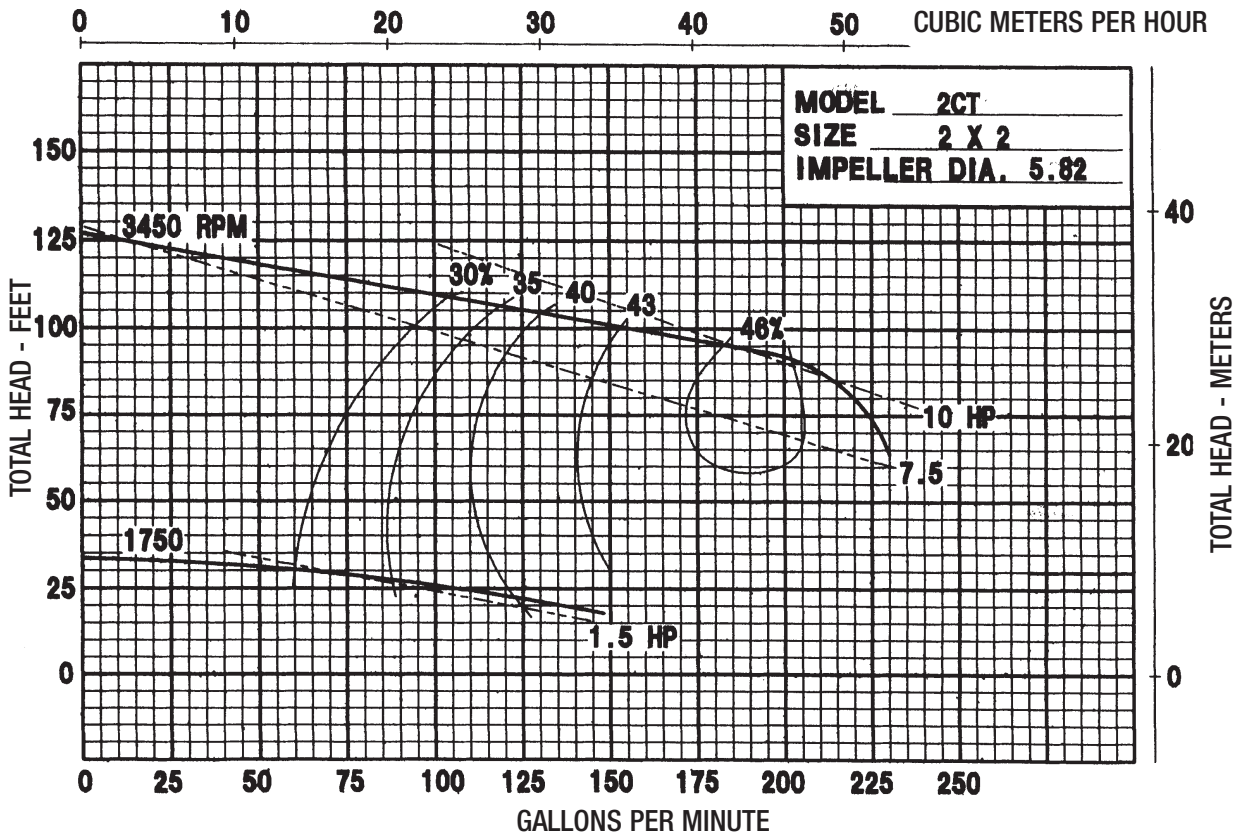
- CLOSED COUPLED TO ELECTRIC MOTOR OR PEDESTAL FOR STANDARD MOTOR
- FLOW - TO 400 GPM
- PRESSURES - TO 125 FEET HEAD
- CAST IRON CONSTRUCTION
- ELECTRIC MOTOR DRIVE
- IMPELLER - DUCTILE IRON
- SHAFT SLEEVE - 304 STAINLESS STEEL
- SEALS - CARBON/CERAMIC VITON MECHANICAL SEAL
- OPTIONS:
  - HYDRAULIC DRIVES
- 2CT AND 2CT-3 AVAILABLE FOR CLOSE-COUPLE TO 145TC MOTOR (MAXIMUM 5HP) OR PEDESTAL
- 2CT-3HS AVAILABLE FOR CLOSE-COUPLE TO 184TC AND 215TC MOTOR



2CT & 2CT3

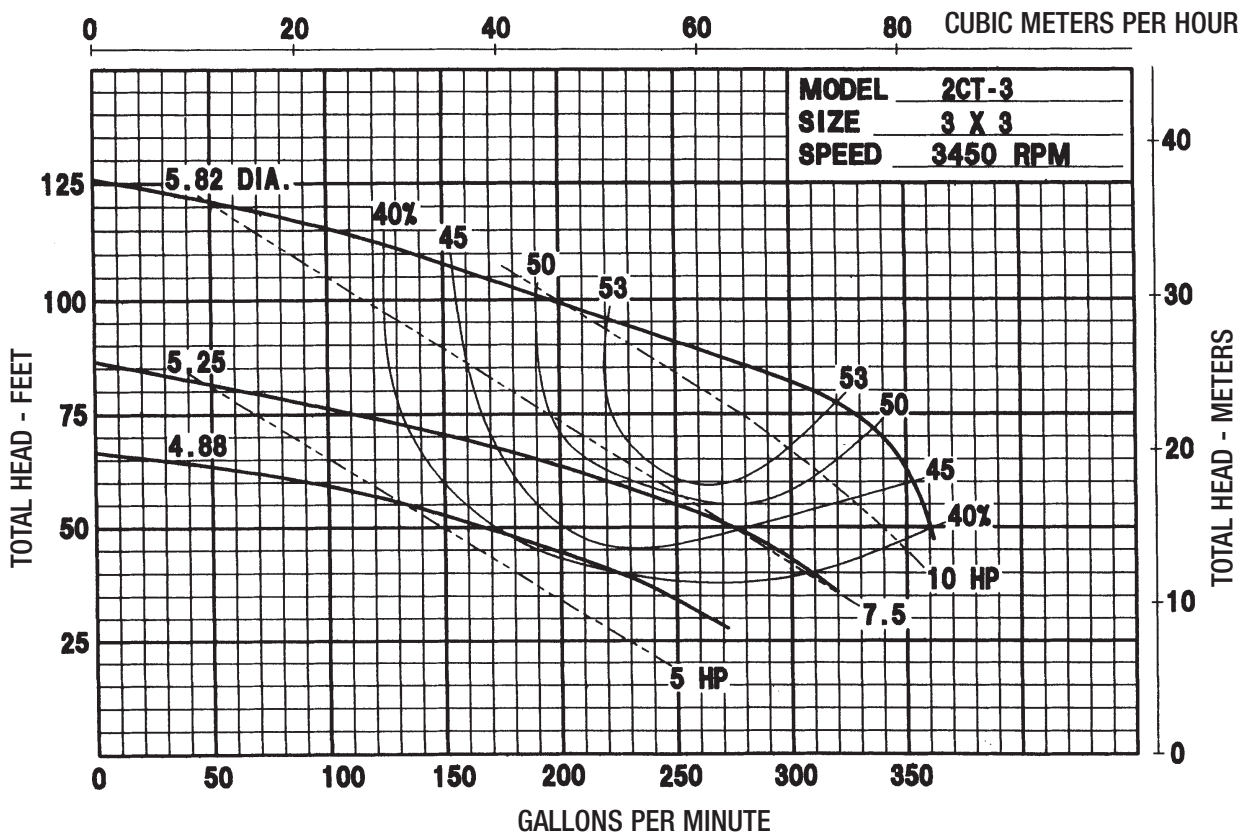
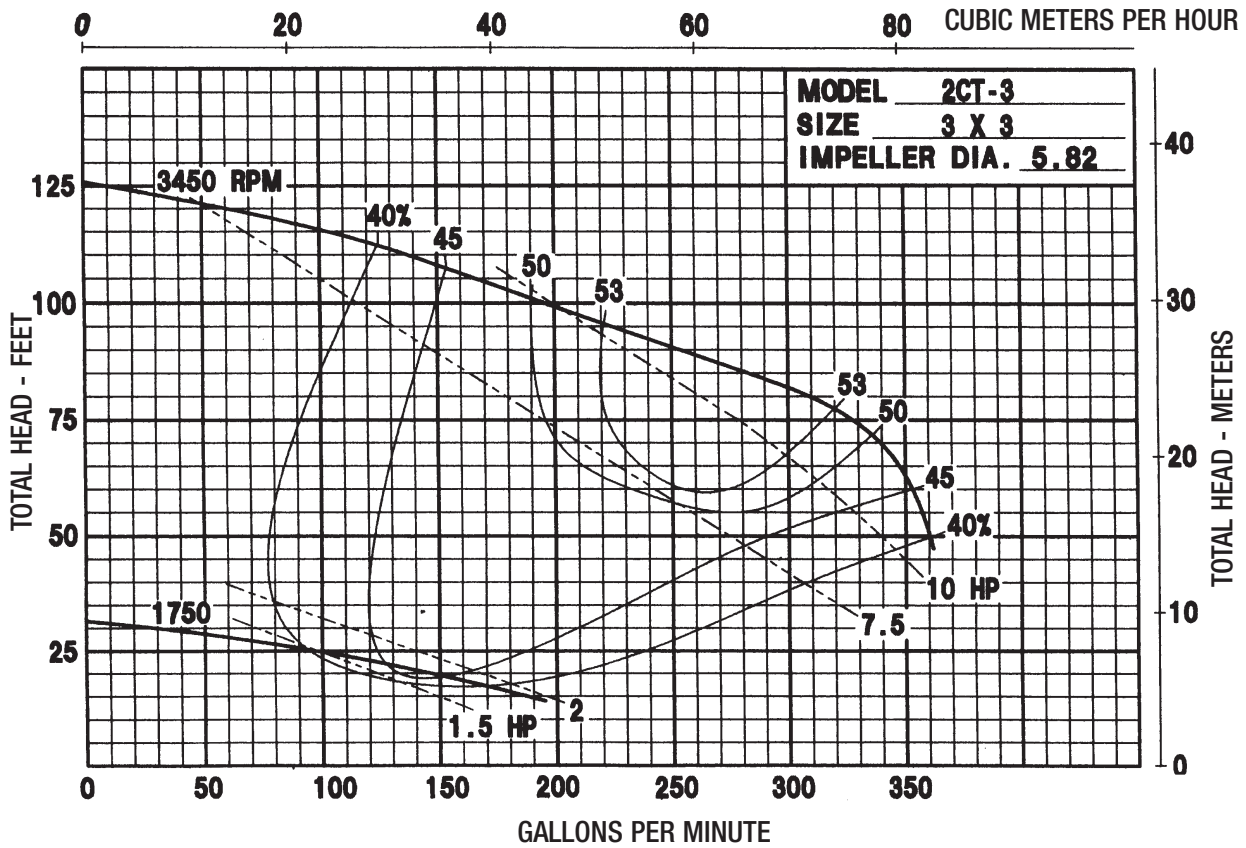
MODEL	Suction	Discharge	Max. Solid Size
2CT	2" NPT	2" NPT	1.5"
2CT-3	3" NPT	3" NPT	1.5"
2CT-3HS	3" NPT	3" NPT	1.25"

**2CT Pump Performance Curves**

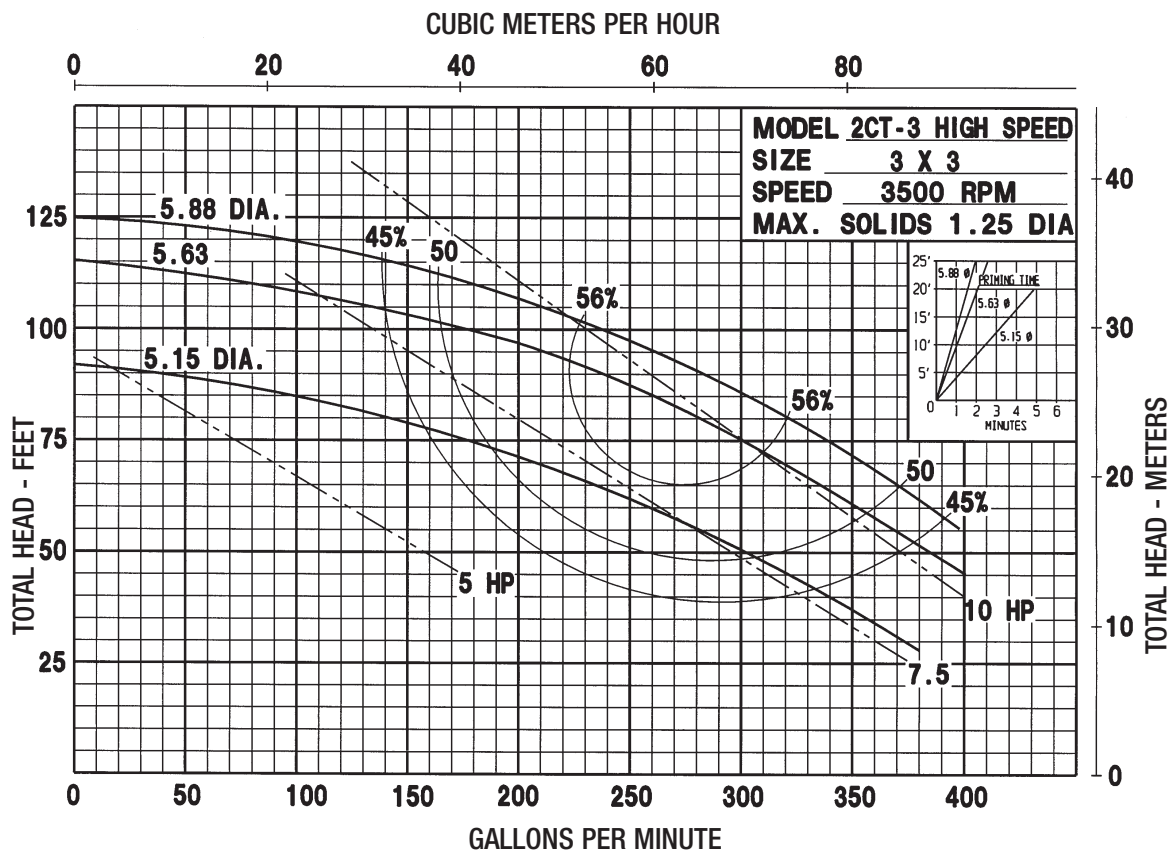
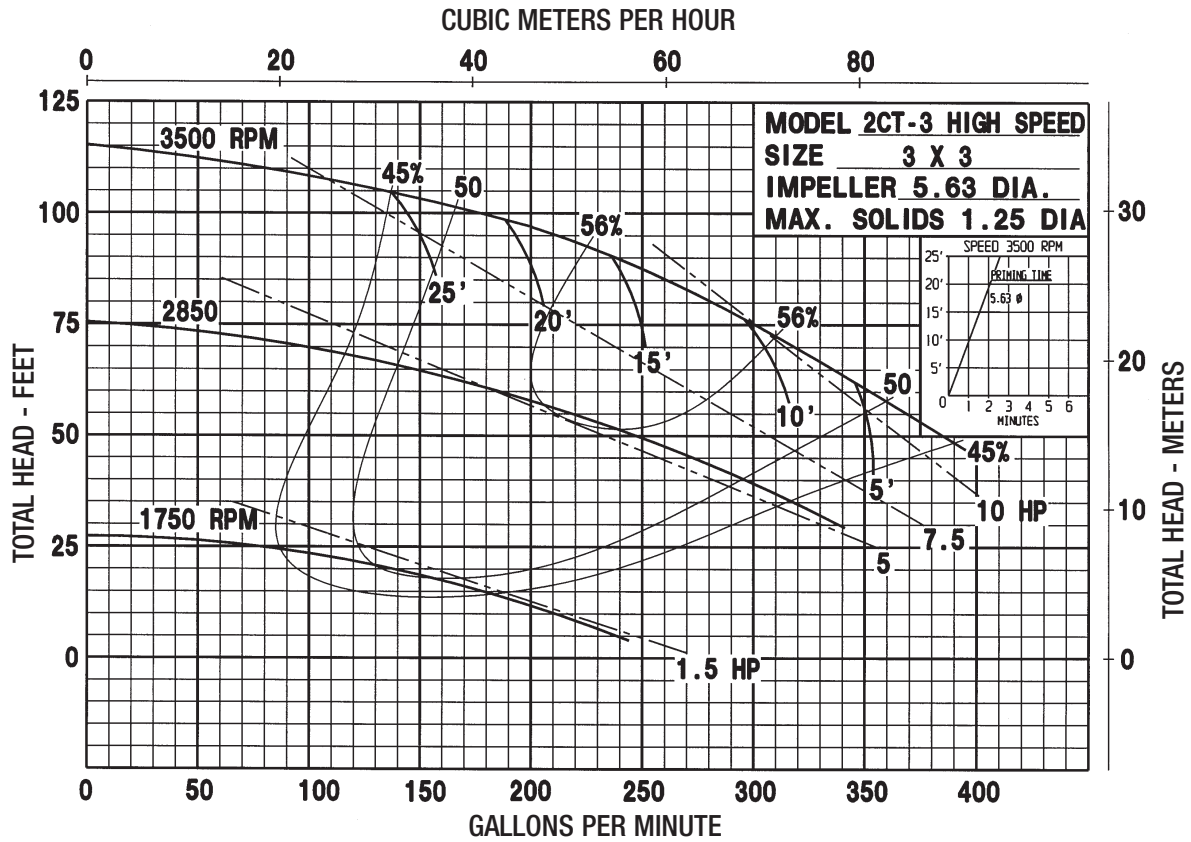


Other Performance Curves Available Upon Request

**2CT-3 Pump Performance Curves**

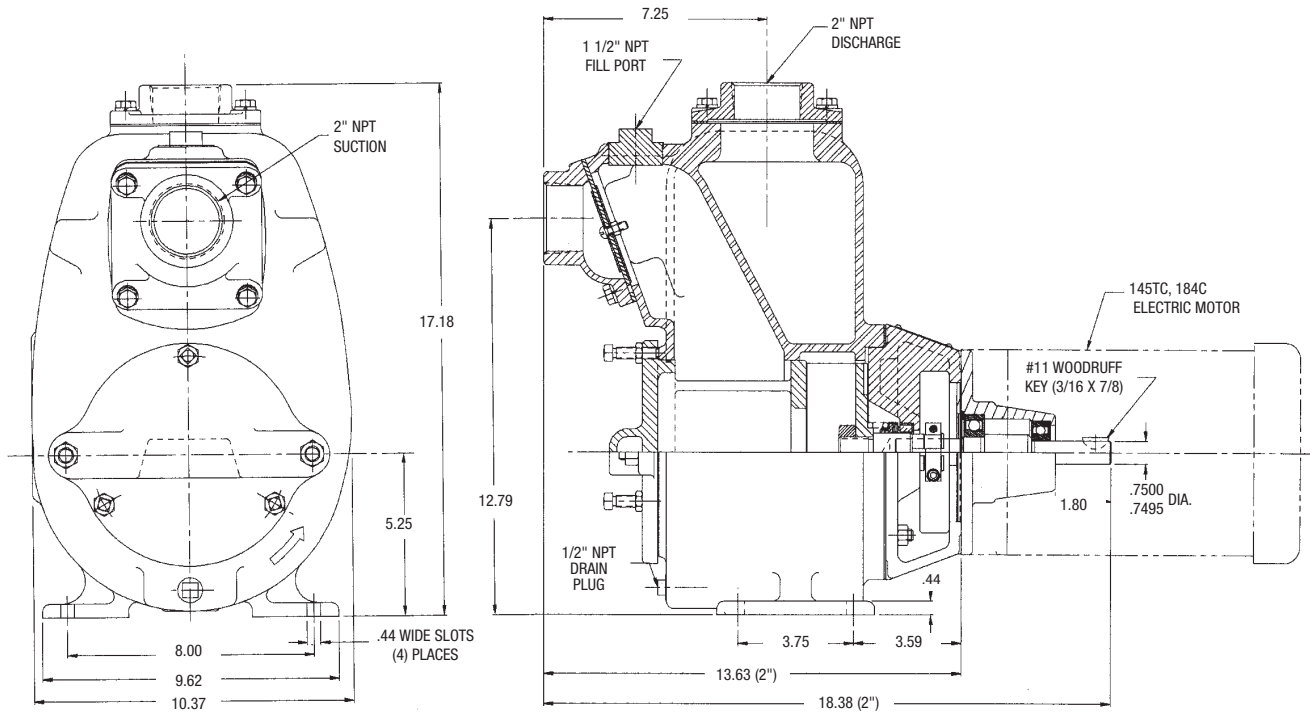


**2CT-3 High Speed Performance Curves**

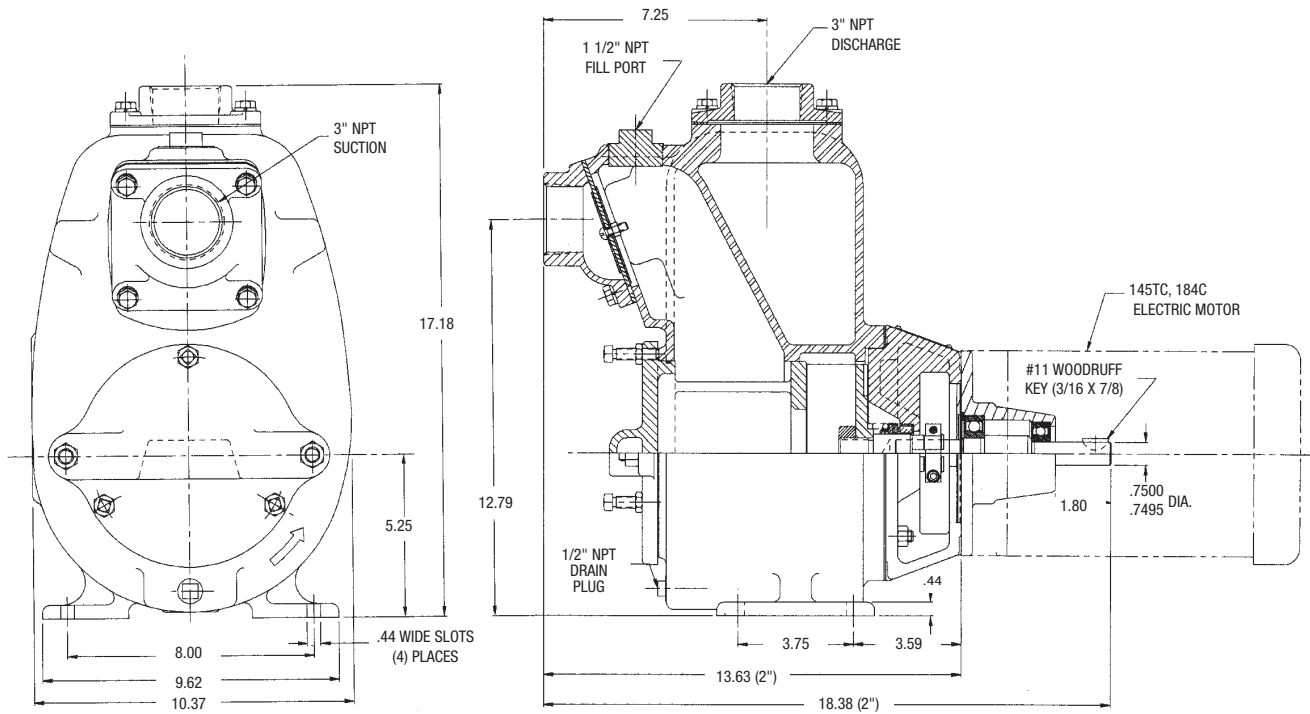


Other Performance Curves Available Upon Request

## 2CT Dimensions



## 2CT-3 Dimensions



**2CT-3HS Dimensions**

