

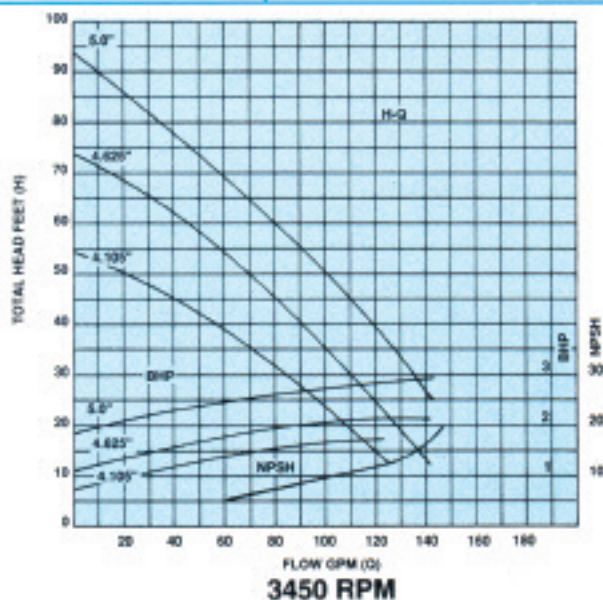
Pedestal Model  
Shown

Stainless steel FLOMAX 8 self-priming centrifugal pump uses engine drive, NEMA "C" face or pedestal drive.

Stainless steel FLOMAX 8 is made of series 316 stainless with all pressure containing components cast in 316 stainless steel to suit a wide variety of liquids. Impellers are balanced and trimmed to insure optimum performance without overloading.

### PUMP SPECIFICATIONS

<b>Suction &amp; Discharge</b> .....	S.A.E. Flange 2" Flat Face Class 125 Flange
<b>Housing</b> .....	316 Stainless Steel
<b>Impeller</b> .....	316 Stainless Steel
<b>Shaft Sleeve</b> .....	316 Stainless Steel
<b>Fasteners</b> .....	Stainless Steel
<b>Seals</b> .....	Standard Viton Others available (consult factory for seal options)



# 316 STAINLESS STEEL FLOMAX 8

## 2" x 2" SELF PRIMING CENTRIFUGAL PUMP

### PUMPAKS

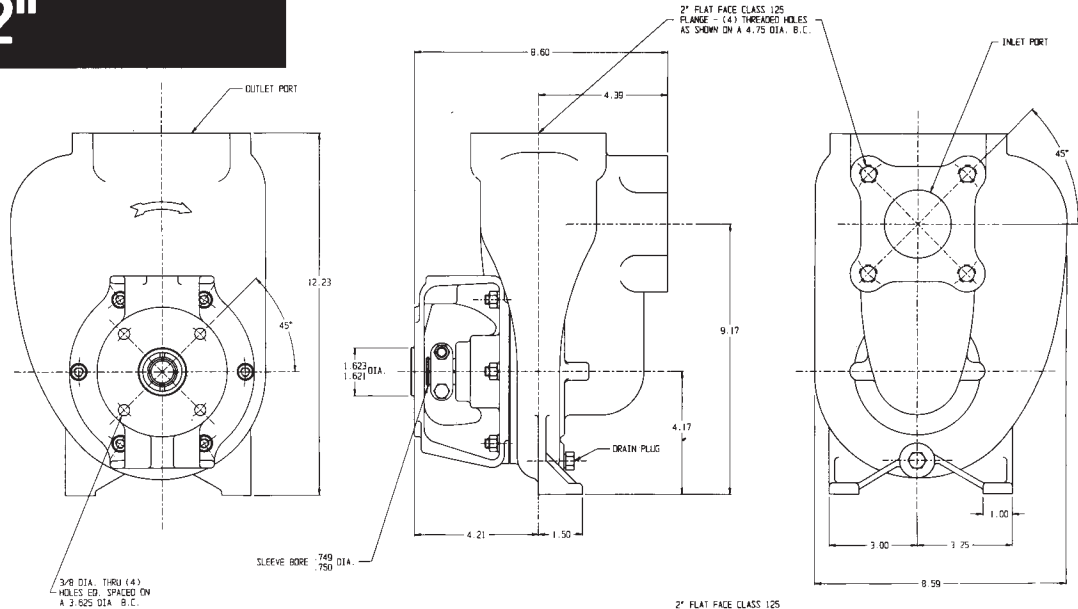
- ENGINE DRIVE
- "C" FACE ELECTRIC MOTOR DRIVE
- PEDESTAL DRIVE

FLOWS TO 140 GPM  
PRESSURES TO 40 PSI

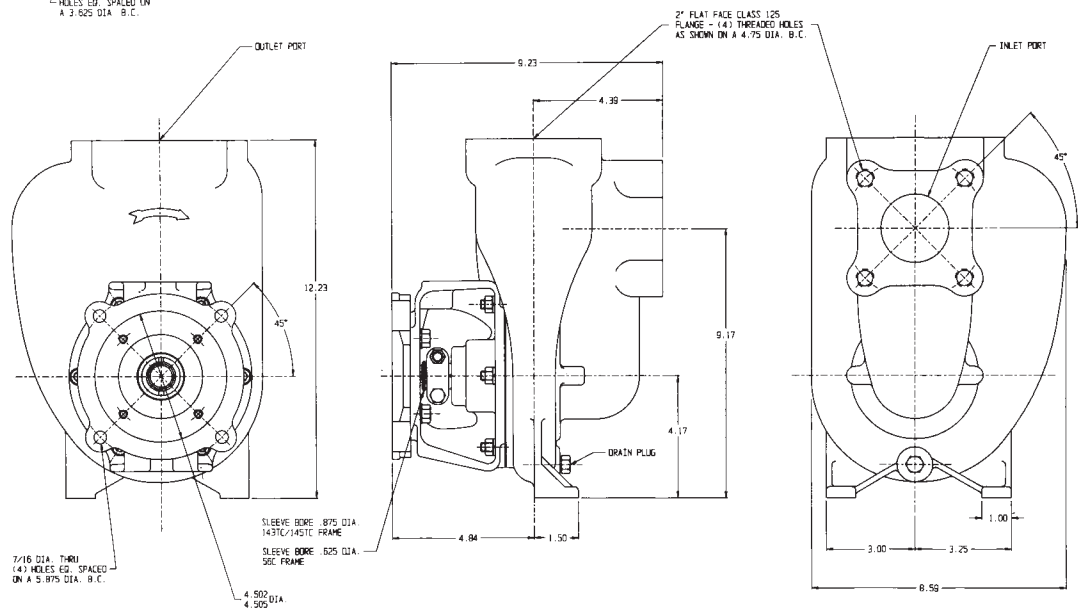
# FLOMAX 8

## 2" x 2"

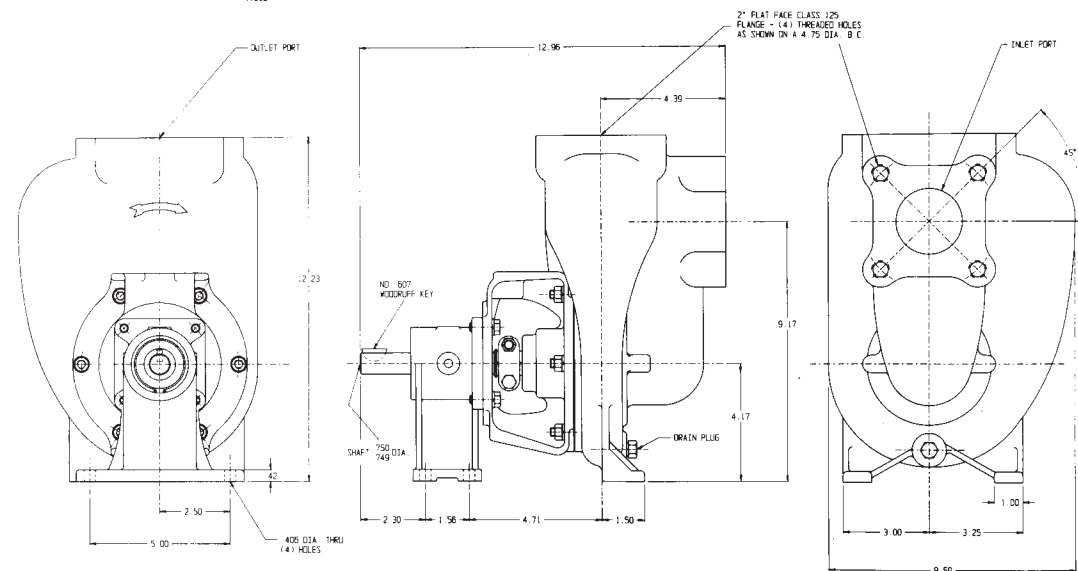
### ENGINE DRIVE



### "C" FACE ELECTRIC MOTOR DRIVE



### PEDESTAL DRIVE



**MP PUMPS, INC.**  
**TECUMSEH PRODUCTS COMPANY**  
 34800 BENNETT DRIVE • FRASER, MI 48026-1686  
 (810) 293-8240 • FAX (810) 293-8469  
 800 563-8006

CONSULT FACTORY FOR CHEMICAL COMPATIBILITY.

LITHO IN U.S.A.