

FLOMAX 15 Stainless Steel

3" x 3" Self-Priming Centrifugal Pump

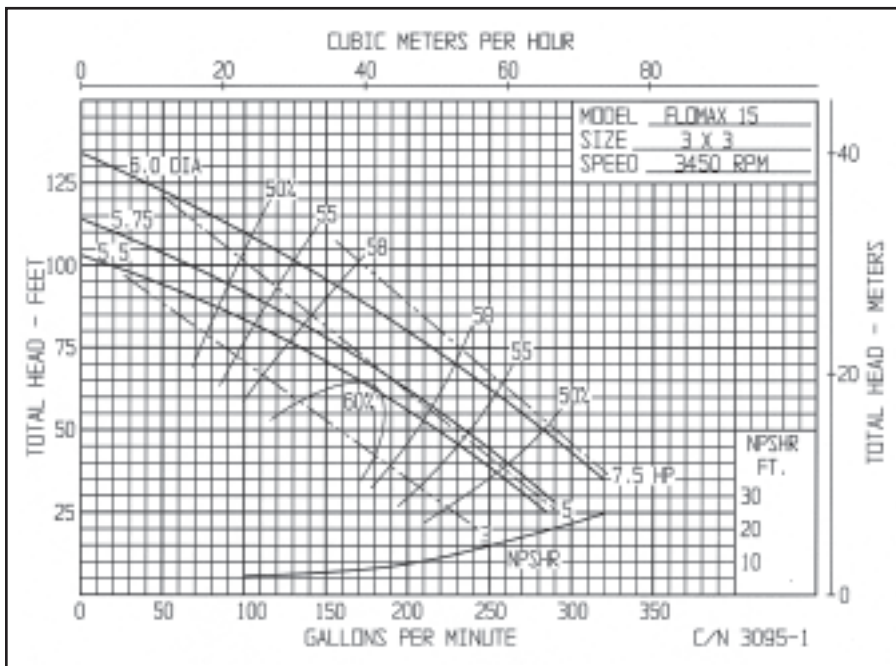
The Stainless Steel FLOMAX 15 provides excellent chemical compatibility and corrosion resistance for "hard to handle" aggressive fluids making it ideal for numerous agricultural, industrial and marine applications.

Two basic pumpak styles allow the FLOMAX 15 self-priming centrifugal to fit standard Nema "C" frame electric motors or engines and standard MP pedestal mount.

The standard mechanical seal is stainless steel, viton and carbon/ceramic. Consult factory for special material combinations.

5 HP • 7.5 HP
FLOWS TO 320 GPM
UP TO 134 FEET HEAD

SELF-PRIMING TO 25 FEET



AVAILABLE MOUNTINGS:

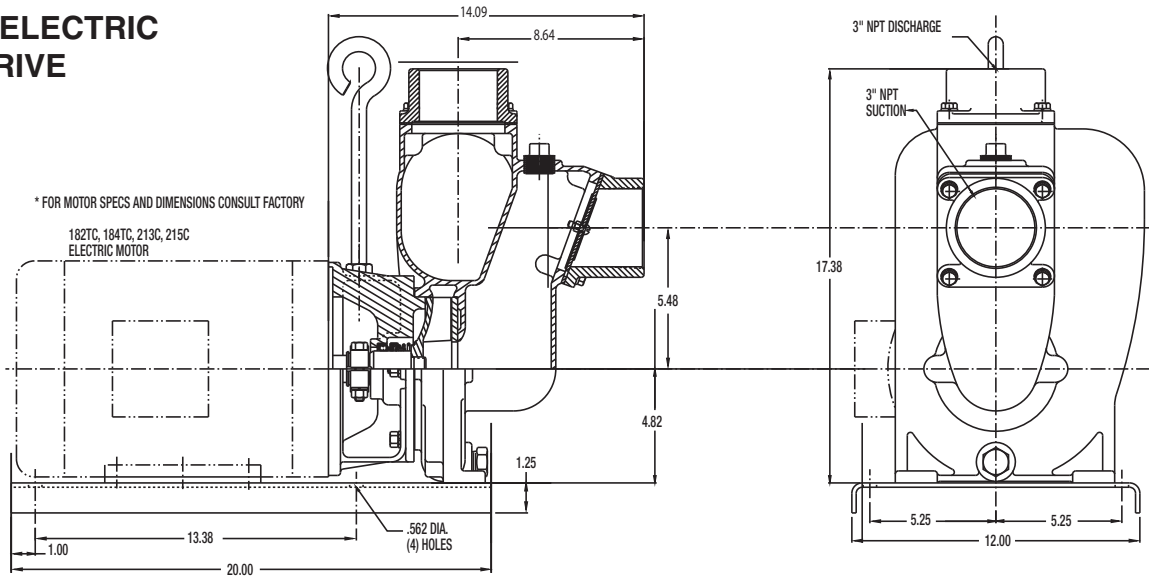
- CLOSE CPLD. TO ELECTRIC MOTOR
 - PEDESTAL
 - ENGINE
 - PUMPAK FOR NEMA C FACE MOTOR
 - COMPATIBLE MOTOR FRAMES:
- 182TC • 184TC
 - 213C • 215C

MP PUMPS, INC.
TECUMSEH PRODUCTS COMPANY
 34800 BENNETT DRIVE • FRASER, MI 48026-1686
 (586) 293-8240 • FAX (586) 293-8469

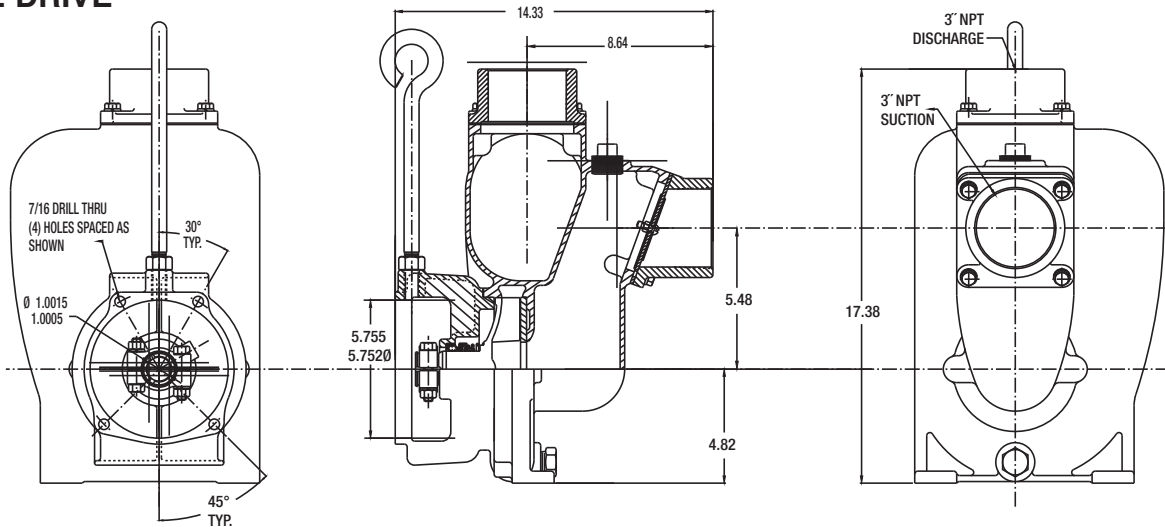
800-563-8006
www.mppumps.com

FLOMAX 15 3" x 3"

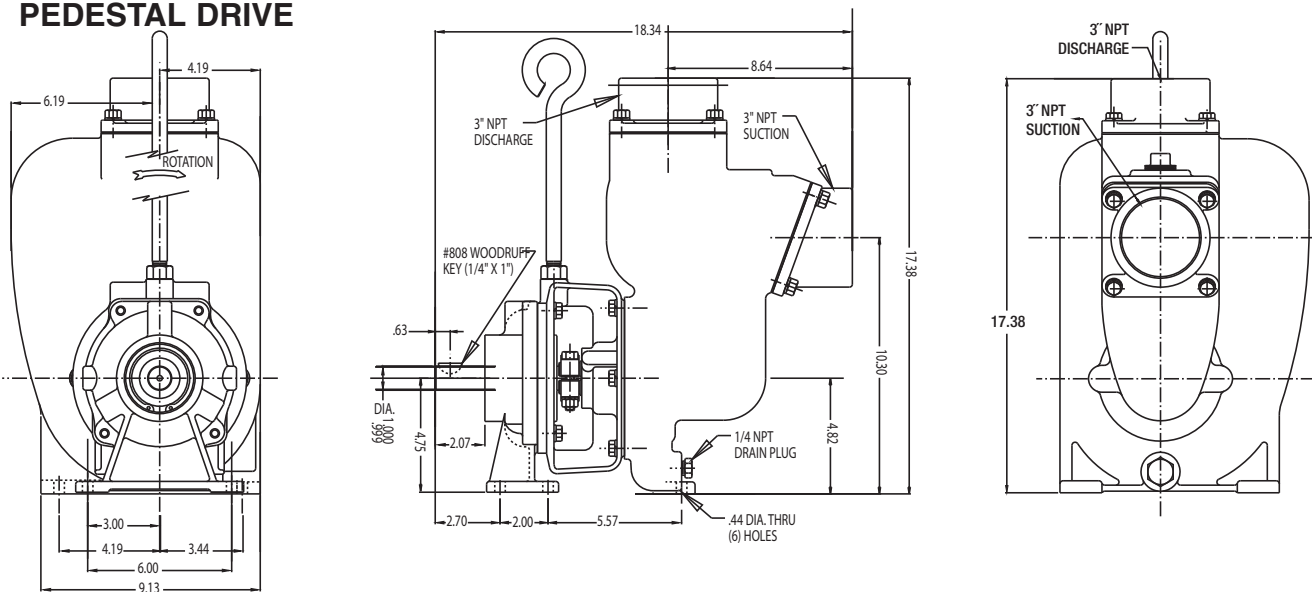
"C" FACE ELECTRIC MOTOR DRIVE



ENGINE DRIVE



PEDESTAL DRIVE



34800 BENNETT • FRASER, MI 48026-1686
 (586) 293-8240 • FAX (586) 293-8469
 (800) 563-8006 • www.mppumps.com

www.mppumps.com

FORM 8128-A (02/06)
 Litho in USA