



FLOMAX[®] 35

Self-Priming Centrifugal Pump

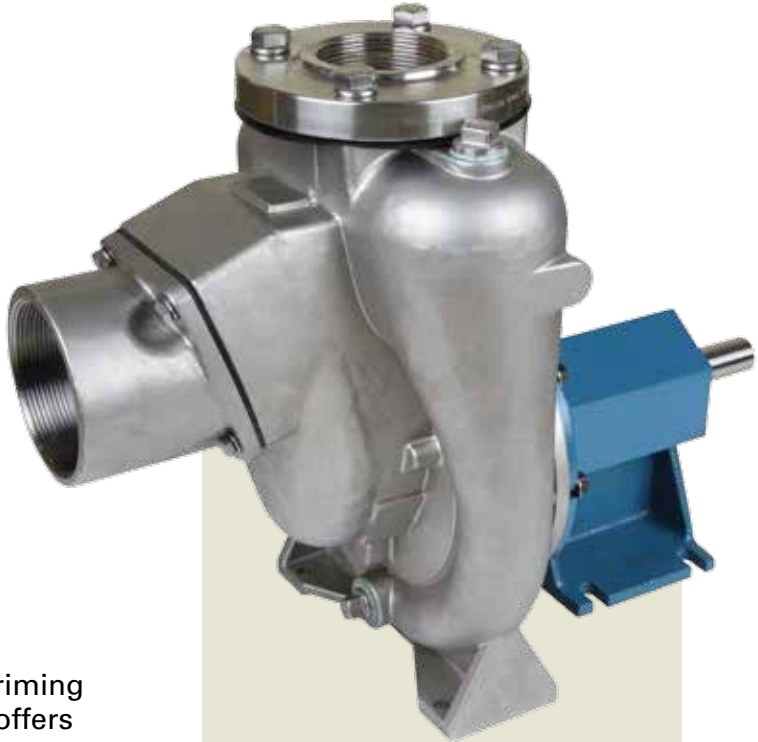
The 316 Stainless Steel FLOMAX[®] 35 provides excellent chemical compatibility and corrosion resistance for “hard-to-handle” aggressive fluids making it ideal for numerous agricultural, industrial and marine applications.

The pump is equipped with a standard viton flapper, priming chamber fill-plug, and a 4” NPT Suction Flange which offers improved suction lift capabilities at the higher flow range. The discharge port is 3” ANSI 150 # Class Flat Flange.

The standard mechanical seal is carbon/ceramic/viton/stainless steel. Consult factory for optional seals.

Two basic pumpak styles allow the FLOMAX[®] 35 self-priming centrifugal pump to fit standard Nema “C” electric motor frames, engines or the standard MP pedestal. The PUMPAK is completely assembled and can be mounted to a standard motor in minutes.

Applications include: AG Fertilizer transfer, Chemical transfer, Diesel Exhaust Fluid (DEF) transfer and R.O. water transfer.



Mounting Options:

- PumPak[®]
- Pedestal
- Engine
- Electric Motor
 - 256TC
 - 286TSC

Flows to 500 GPM:

Pressures To 190 TDH:

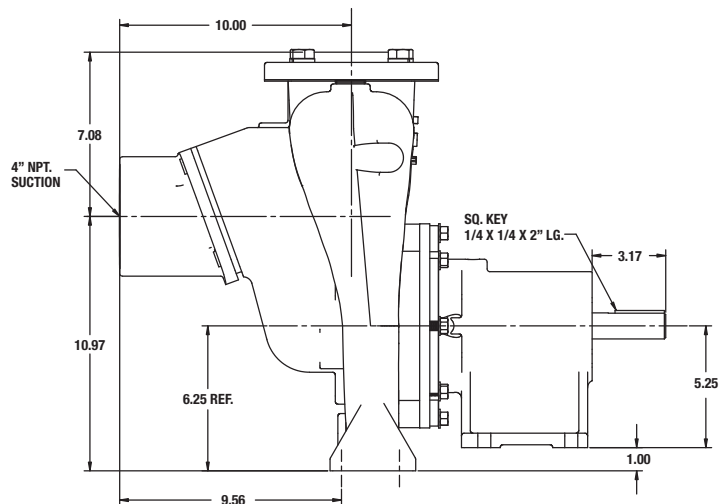
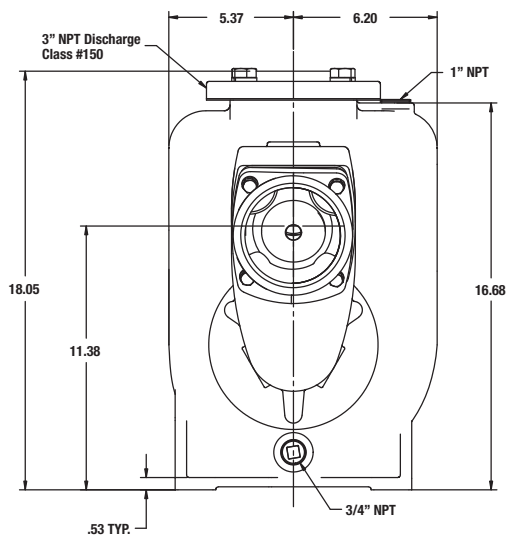
Applications:

- AG Fertilizer Transfer
- Chemical Transfer
- Diesel Exhaust Fluid (DEF) Transfer
- R.O. Water Transfer

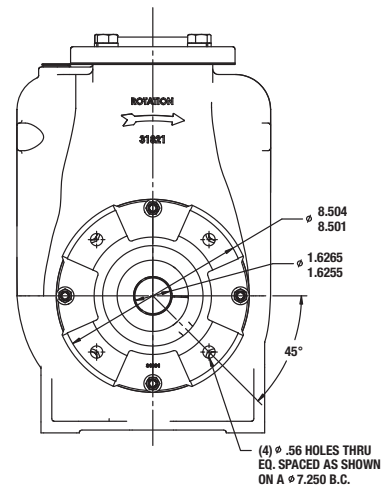
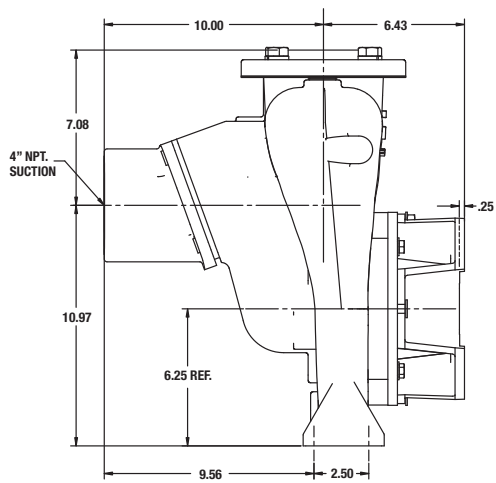
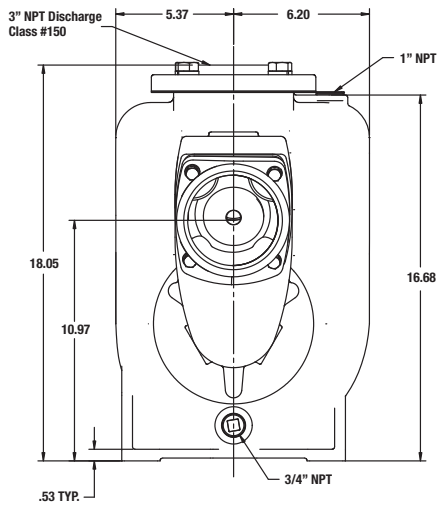
SPECIFICATIONS:

Construction	316 SS
Suction	4” NPT
Discharge	3” NPT 150 # Class Flat Flange
Flapper	Viton
Mechanical Seal, Type 2100...	Carbon/Ceramic/Viton
Impeller	316 SS, Semi-Open, Balanced

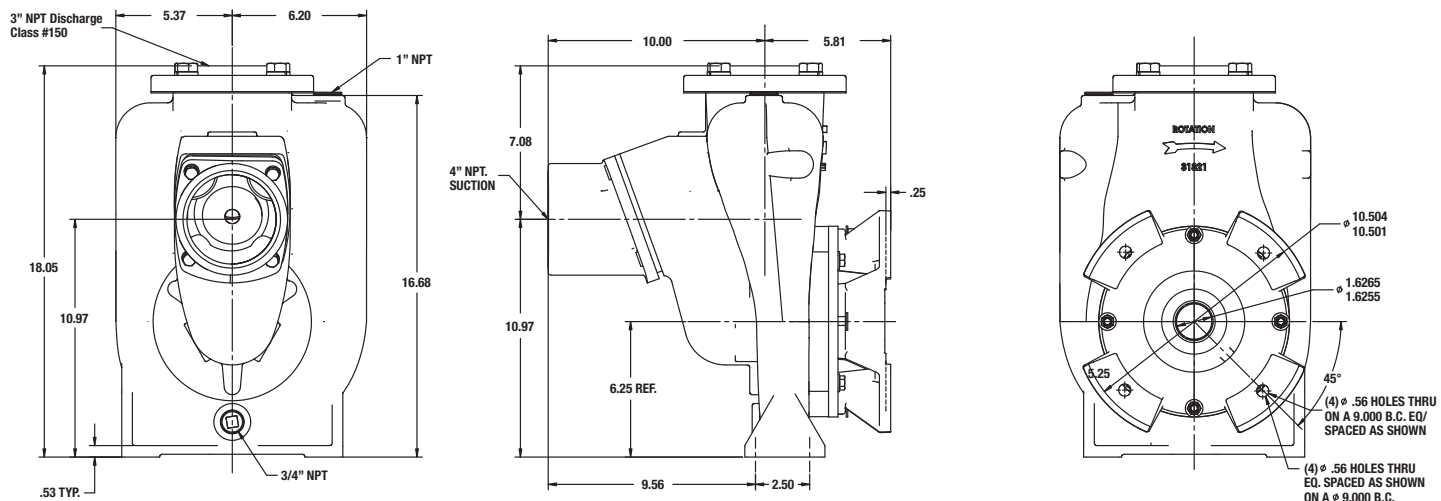
FLOMAX® 35 Pedestal Dimensions



FLOMAX® 35 256TC Dimensions

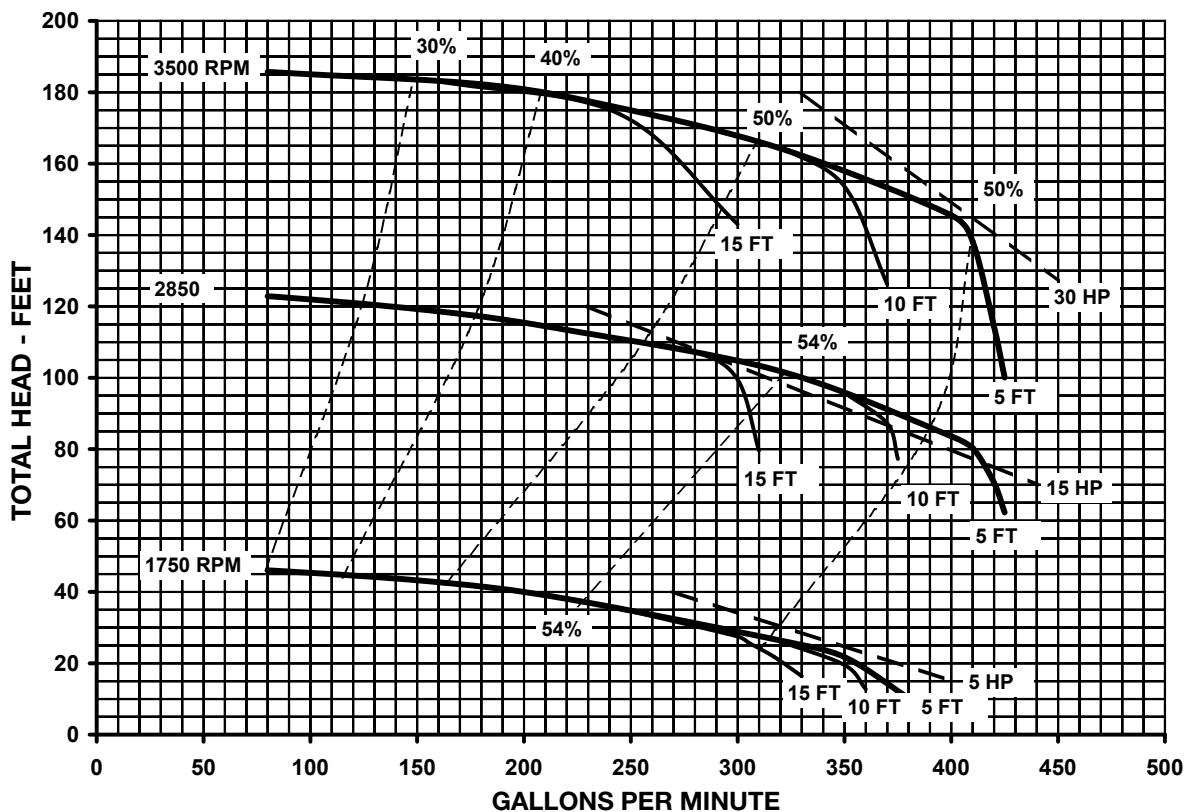


FLOMAX® 35 286TSC Dimensions



FLOMAX® 35 Performance Curves

FM35, 4x3
7.0 Impeller



MP Pumps, Inc.®
34800 Bennett • Fraser, MI 48026-1686
(586) 293-8240 • Fax (586) 293-8469
(800) 563-8006 • www.mppumps.com

FORM 8173 (07/13)
Litho in USA