



CHEMFLO® 6

PEDESTAL

3" x 2" End Suction Centrifugal Pump

Made with high quality investment cast 316 stainless steel components, the ChemFlo® series of pumps are designed to be applied in a wide range of pumping applications where stainless steel is required.

The ChemFlo® 6 pumps utilize an enclosed impeller designed for achieving higher heads and efficiencies than a standard semi-open impeller. Multiple impeller trims allow the ChemFlo® 6 to meet most duty points up to 450 GPM and total head up to 157 feet. Several mechanical seal options are available in addition to the standard type 2100 carbon / ceramic / Viton mechanical seal.

All wetted components are 316 investment cast stainless steel providing superior corrosion resistance when pumping chemical compounds. The Chemflo® 6 pedestal uses a pump end (PumPAK®) design that is interchangeable with 145TC, 184TC, or 215TC electric motors. If ordering a PumPAK® with a 145TC please note that the electric motor must have a base.

Application

- Agricultural
- Commercial
- Industrial
- Marine
- OEM

Drive Sleeve

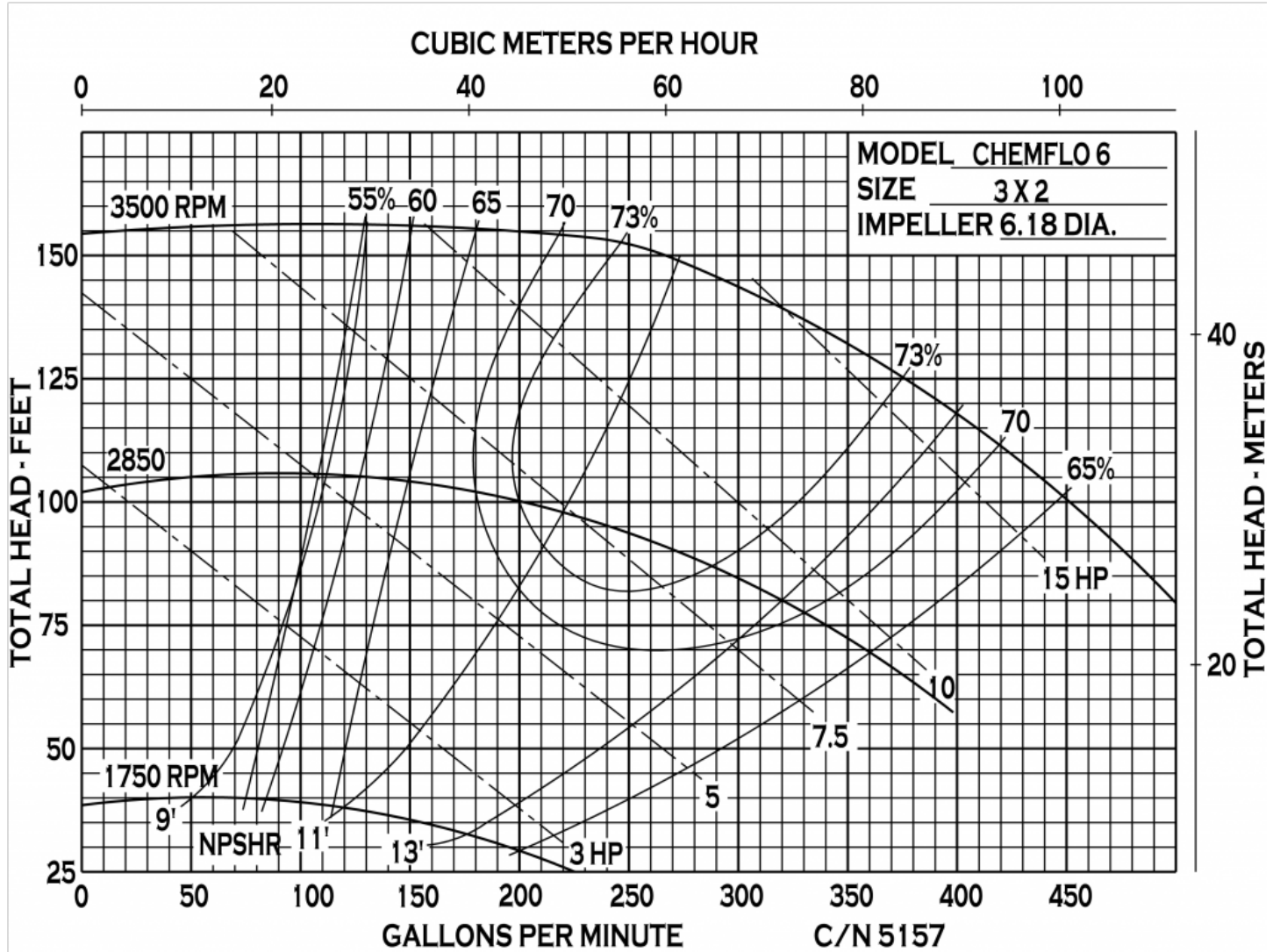
- 316 stainless steel

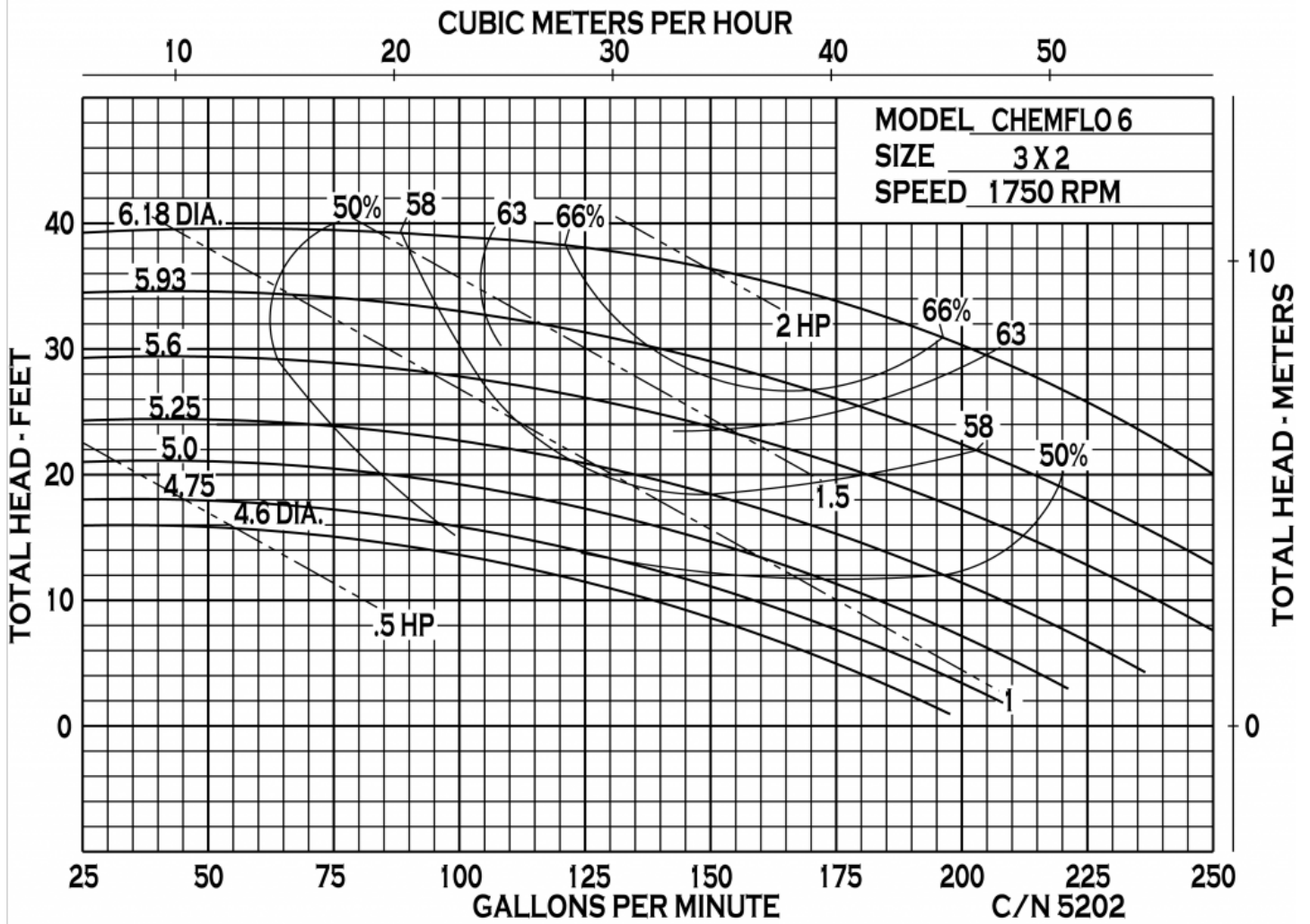
SPECIFICATIONS:

Suction And Discharge	3" x 2" 150# ANSI flange
Materials Of Construction	316 stainless steel
Flow	Up to 450 GPM
Head Feet	Up to 157'
Impeller	6.18" enclosed, cast 316 SS
Drive Options	Close coupled 184TC, Close coupled 215TC, Close coupled 145TC, Hydraulic, Pedestal, PumPAK® (without motor)
Seal	Special seal material combinations available (consult factory), Standard carbon / ceramic / Viton



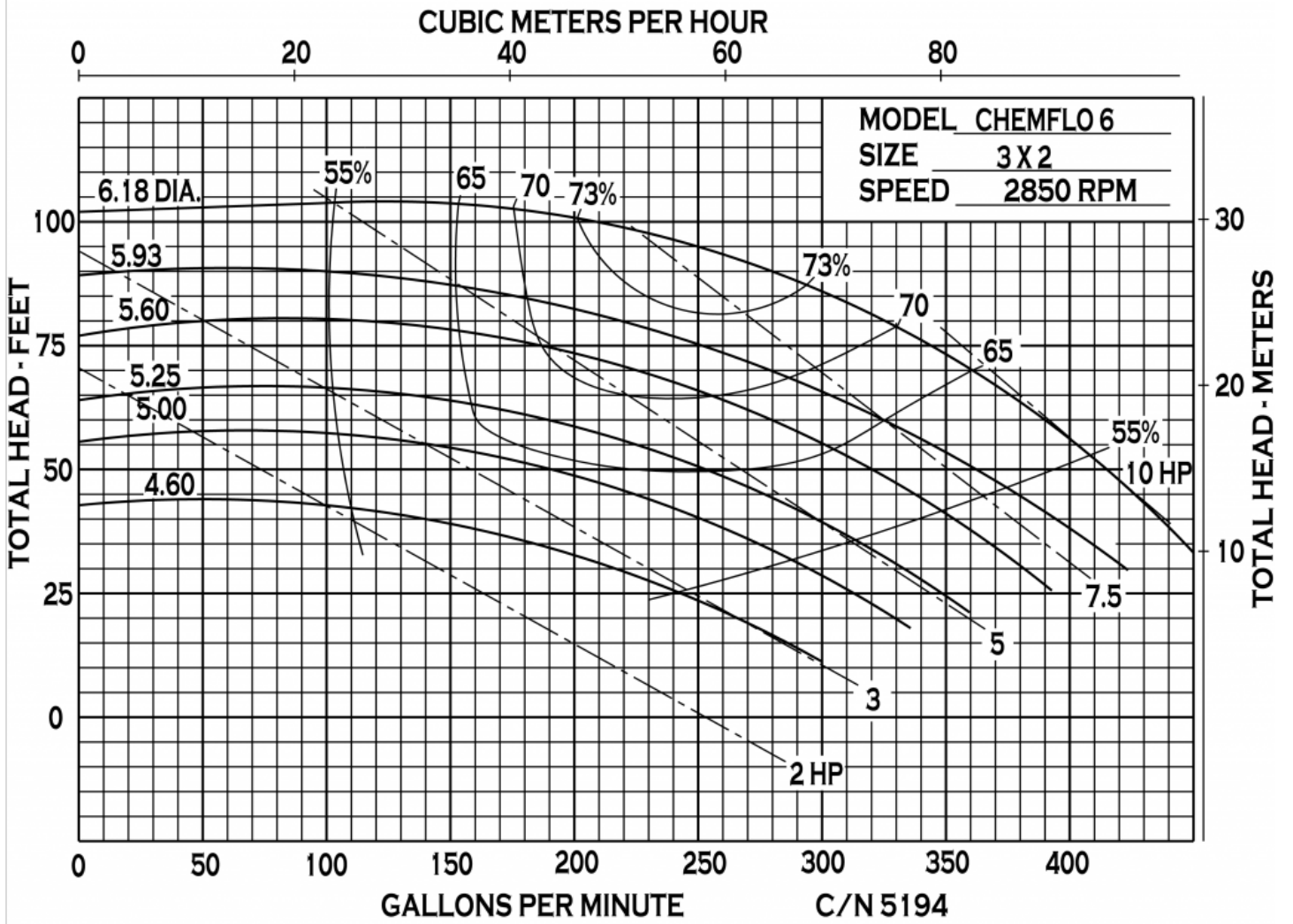
34800 BENNETT - FRASER, MI 48026-1686
(586) 293-8240 - FAX (586) 293-8469
(800) 563-8006 - www.mppumps.com



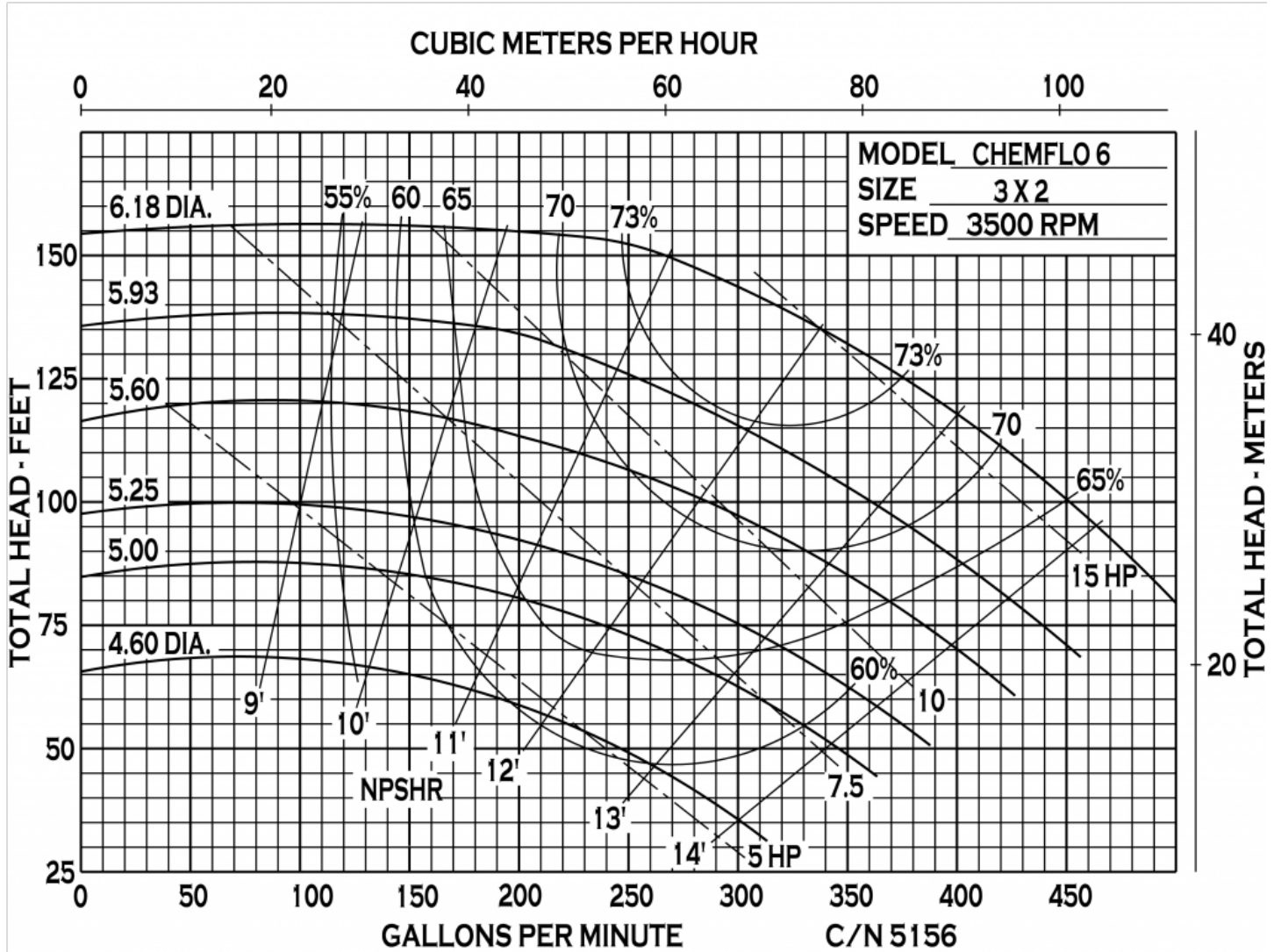


34800 BENNETT - FRASER, MI 48026-1686
 (586) 293-8240 - FAX (586) 293-8469
 (800) 563-8006 - www.mppumps.com

CHEMFLO® 6 PEDESTAL

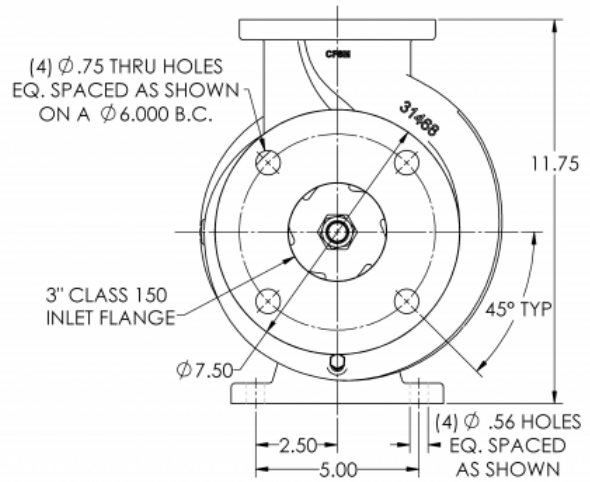
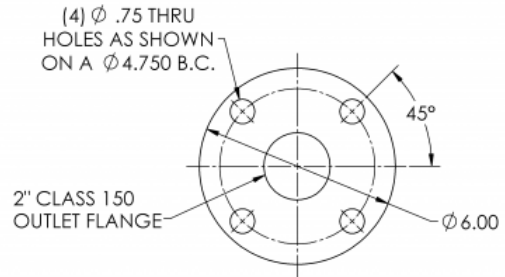
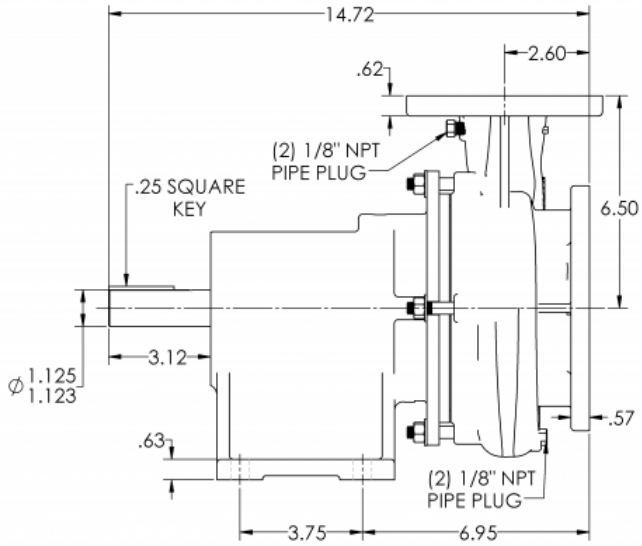


34800 BENNETT - FRASER, MI 48026-1686
 (586) 293-8240 - FAX (586) 293-8469
 (800) 563-8006 - www.mppumps.com

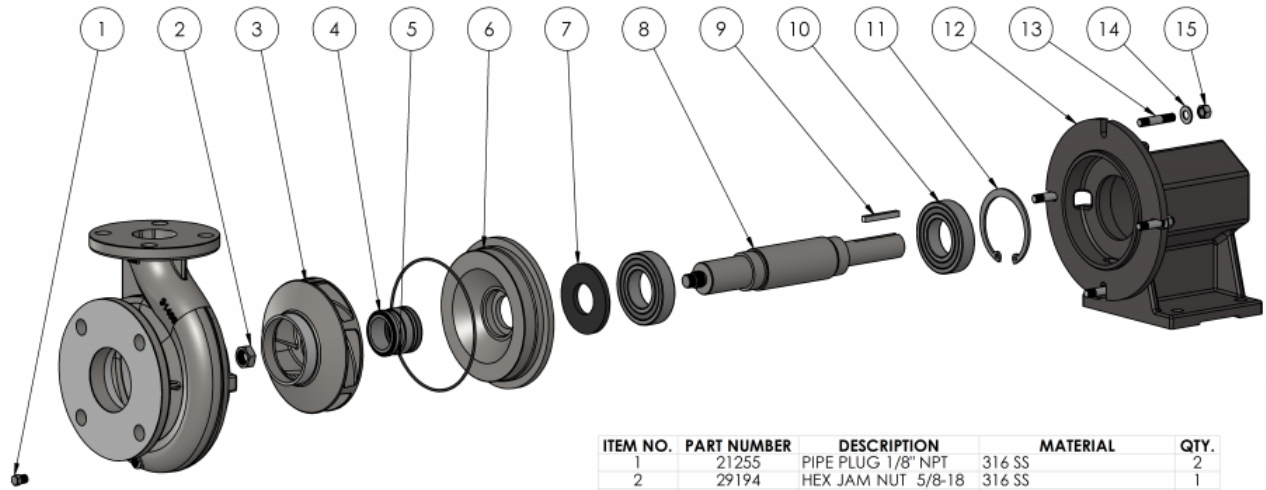


34800 BENNETT - FRASER, MI 48026-1686
 (586) 293-8240 - FAX (586) 293-8469
 (800) 563-8006 - www.mppumps.com

CHEMFLO® 6 PEDESTAL



CF6 PED



CF6 PED

ITEM NO.	PART NUMBER	DESCRIPTION	MATERIAL	QTY.
1	21255	PIPE PLUG 1/8" NPT	316 SS	2
2	29194	HEX JAM NUT 5/8-18	316 SS	1
3	31467	IMPELLER Ø6.18	CF8M SS	1
3	31750	IMPELLER Ø5.93	CF8M SS	1
3	31751	IMPELLER Ø5.60	CF8M SS	1
3	31748	IMPELLER Ø5.25	CF8M SS	1
3	31752	IMPELLER Ø5.00	CF8M SS	1
3	31753	IMPELLER Ø4.60	CF8M SS	1
4	31347	SEAL ASSEMBLY 1.5"	STC/316 SS	1
4	31374	SEAL ASSEMBLY 1.5"	CCS VITON	1
4	28170	SEAL ASSEMBLY 1.5"	EPDM	1
4	26461	SEAL ASSEMBLY 1.5"	SSC	1
4	26565	SEAL ASSEMBLY 1.5"	CHEMLON	1
5	30066	O-RING AS-568-163	SILICONE	1
5	31233	O-RING AS-568-163	VITON	1
5	33757	O-RING AS-568-163	EPDM	1
6	31093	HOUSING SEAL	CF8M SS	1
7	37881	SLINGER	NEO RUBBER	1
8	31802	DRIVE SHAFT	316 SS	1
9	33232	SQUARE KEY	STEEL	1
10	31469	VOLUTE	CF8M SS	1
10	31804	BALL BEARING	STEEL	2
11	31803	SNAP RING	CARBON SPRING STEEL	1
12	31656	BEARING HOUSING	CAST IRON	1
13	33161	STUD 3/8-16X2.00	304 SS	4
14	28053	FLAT WASHER	304 SS	4
15	21268	HEXNUT 3/8-16	304 SS	4