



# PETROLEUM 60

## 1 1/4" X 1" End Suction Centrifugal Pump

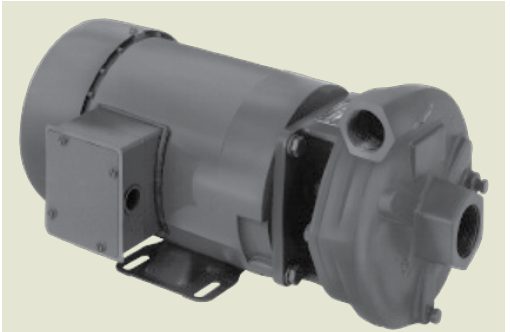
Specifically designed for transfer of petroleum based fluids, MP's Petroleum 60 series is available in three distinct models: SO 60, SG 60 and SE 60.

Designed to close-couple to 56C and 145TC frame electric motors, the models are also available as PumPAKs®.

Pump rotation in 90° increments

### SPECIFICATIONS:

Suction And Discharge	1 1/4" x 1" NPT
Flow	Up to 65 GPM
Head Feet	Up to 115'
Impeller	SE 60 - enclosed cast iron, SG 60 - enclosed aluminum, SO 60 - enclosed cast iron
Motor	Up to 3 HP
Drive Options	Close coupled 56C, Hydraulic motor .37 cu. in., Hydraulic motor .45 cu. in., Hydraulic motor .58 cu. in., Close coupled 145TC, PumPAK® (without motor)
Seal	SE 60 . . . Type 2 viton/carbon/silicon carbide/SS, SG 60. . . Type 2 viton/carbon/silicon carbide/SS, SO 60. . . Type 21 viton/carbon/niresist/SS
Compatible For	SE 60 - Ethanol, E 85, SG 60 - Gasoline, Avgas, Kerosene, Jet A/8, SO 60 - Biodiesel, Fuel Oil, Diesel
Mounting Options	SE 60 - Explosion proof Class 1 Group D, SG 60 - Explosion proof Class 1 Group D, SO 60 - TEFC



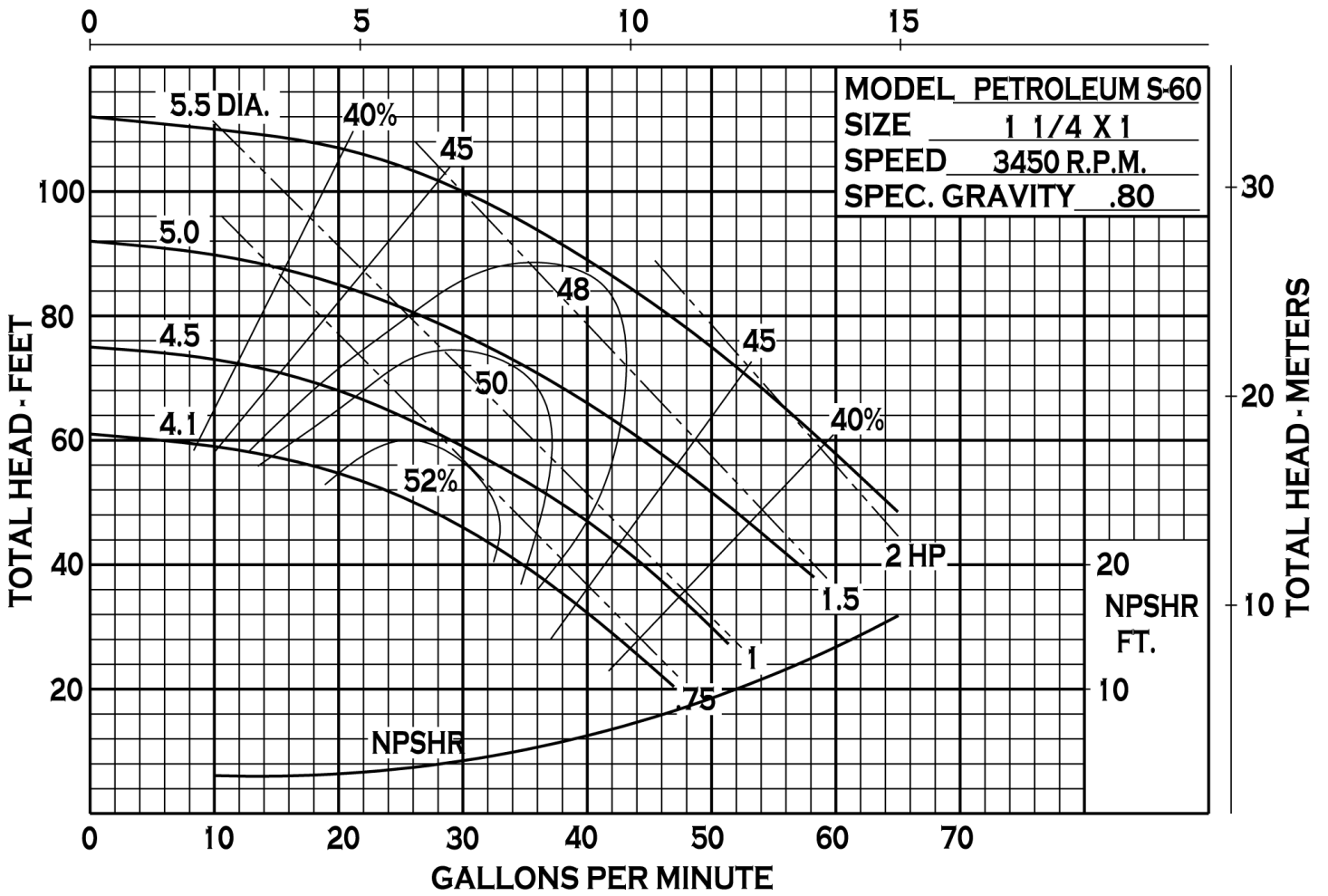
### Application

- Agricultural
- Industrial
- Marine
- OEM

### Features

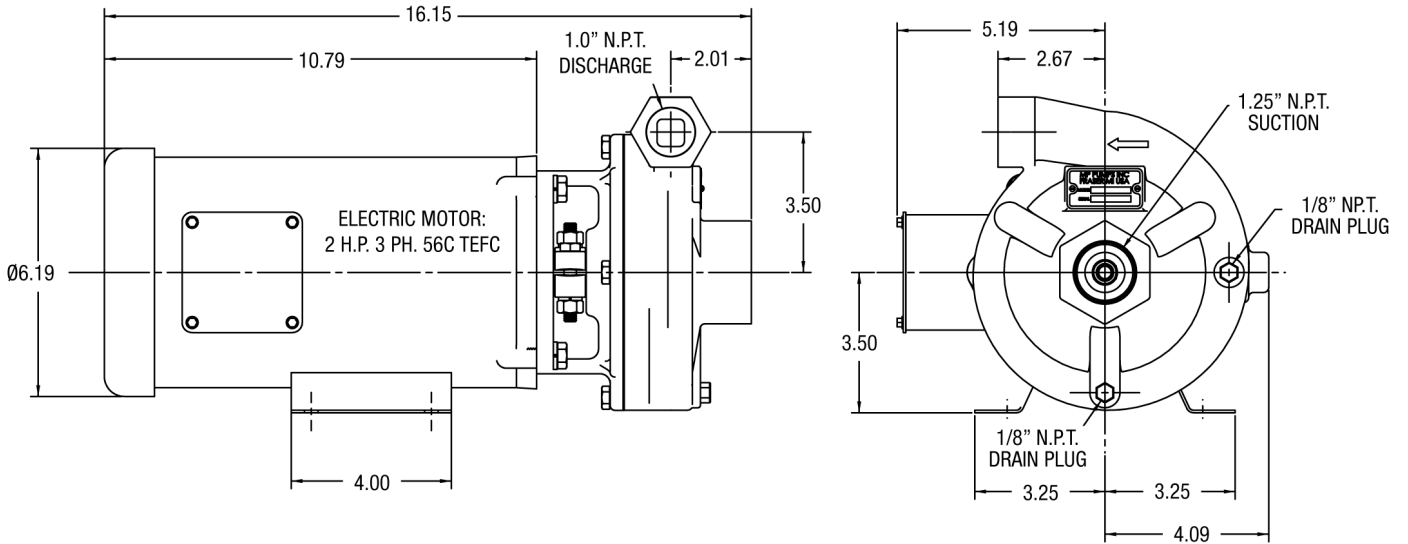
- Non-spark clamp

CUBIC METERS PER HOUR

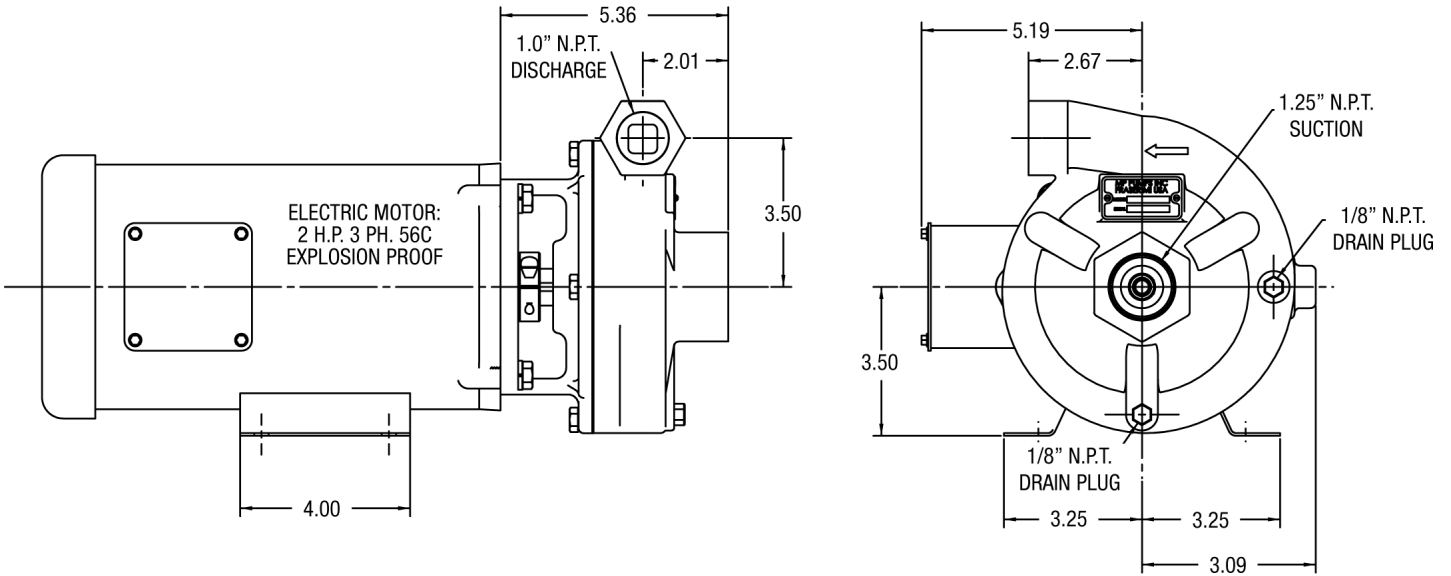


34800 BENNETT - FRASER, MI 48026-1686  
 (586) 293-8240 - FAX (586) 293-8469  
 (800) 563-8006 - www.mppumps.com

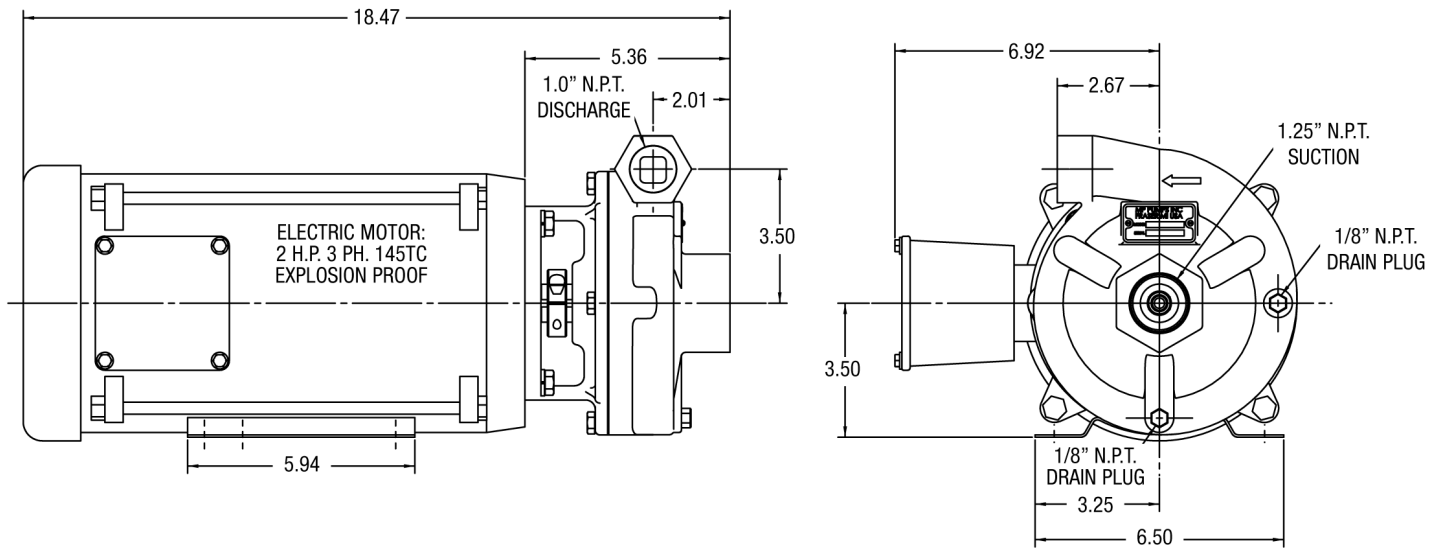
## CLOSE COUPLED - ELECTRIC MOTOR



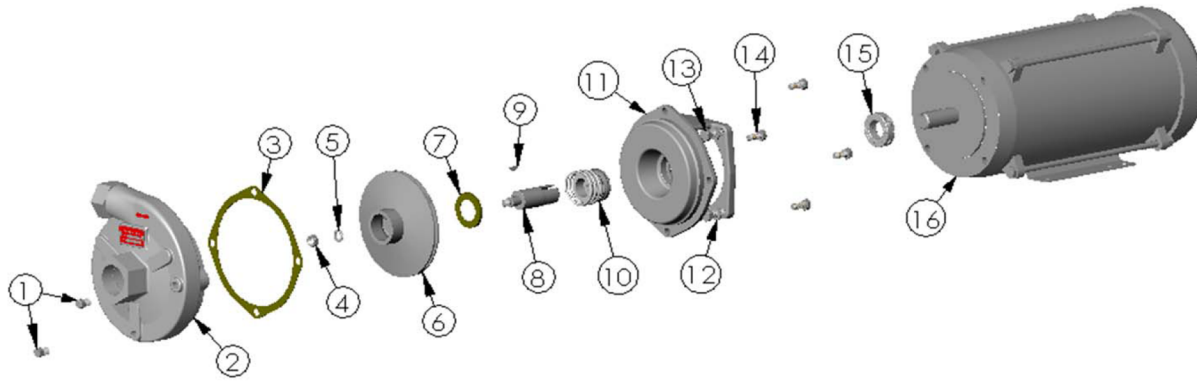
## CLOSE COUPLED - ELECTRIC MOTOR



## CLOSE COUPLED - ELECTRIC MOTOR



36132



ITEM NO.	PART NO.	DESCRIPTION	QTY.		ITEM NO.	PART NO.	DESCRIPTION	QTY.
1	21255	PIPE PLUG - S.S. - 1/8" N.P.T.	2		9	21865	#2 WOODRUFF KEY - S.S.	1
2	28595	HOUSING - DUCTILE IRON	1		*	10	SEAL - 1.0" - T-2 - CAR / SIC / VIT	1
* 3	36124	GASKET - KLINGERSIL	1		11	28593	ADAPTER - DUCTILE IRON	1
4	22588	LOCK NUT - S.S. - 3/8-24	1		12	21266	LOCKWASHER - S.S. - 3/8"	4
5	31224	LOCKWASHER - S.S. - SELF LOCKING	1		13	21251	CAPSCREW - S.S. - 3/8-16	4
6	27998	IMPELLER - CAST IRON - Ø5.47	1		14	24965	CAPSCREW - S.S. - 5/16-18	4
7	22133	SPRING HOLDER - S.S.	1		15	35613	CLAMP - B - 7/8"	1
* 8	29032	DRIVE SLEEVE - S.S. - 7/8"	1		16	35182	ELECTRIC MOTOR - 2 H.P. 3 PH. 145TC EXPLOSION PROOF	1

\*- RECOMMENDED REPLACEMENT PARTS