



FLOMAX 5

1-1/2" x 1-1/2" Self Priming Centrifugal Pump

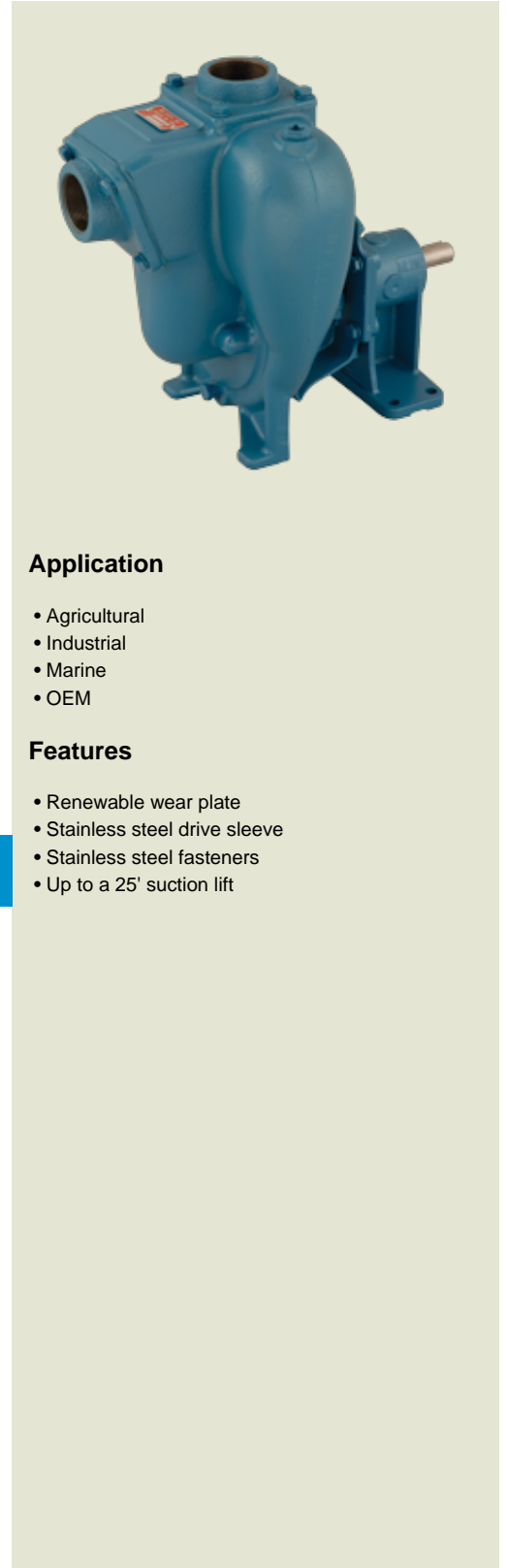
FLOMAX® 5 self priming centrifugal pumps are capable of creating vacuum sufficient to lift liquids from heights up to 25 feet above the source. Once primed, the pump's built in flapper valve will maintain a full column of liquid in the suction line.

A FLOMAX® PumPAK® is a fully assembled and run tested pump end that can be easily coupled to a number of drivers such as hydraulic motors, 56C and 145TC frame motors and gas engines. A bearing pedestal is also available for T-frame motor or belt drive.

Standard features include stainless steel drive sleeve, stainless steel fasteners, renewable wear plate, and a semi-open dynamically balanced impeller.

The FLOMAX® series of pumps are commonly used in Industrial, OEM, Agricultural and Marine applications, such as: Bilge Pumps, Auxiliary Fire Pumps, Ballast Transfer Pumps, Washdown Pumps, Fertilizer and Pesticide Pumps, Applicators & Sprayers, Blending Pumps, Nurse Tanks, Bulk Transfer Pumps and much more.

ABS Type Approval for the Flomax 5 and 8 - [Download PDF](#)



Application

- Agricultural
- Industrial
- Marine
- OEM

Features

- Renewable wear plate
- Stainless steel drive sleeve
- Stainless steel fasteners
- Up to a 25' suction lift

SPECIFICATIONS:

| | |
|---------------------------|--|
| Suction And Discharge | 1-1/2" x 1-1/2" NPT |
| Materials Of Construction | Aluminum, Bronze, Cast iron |
| Flow | Up to 145 GPM |
| Head Feet | UP to 100' |
| Impeller | 5.0" max. diameter, semi-open |
| Motor | Up to 3 HP |
| Drive Options | Close coupled 56C, Engine mount 5.5 HP, Engine mount 6.5 HP, Close coupled 145TC, Pedestal, PumPAK® (without motor) |
| Seal | Special seal material combinations available (consult factory), Standard carbon / ceramic / Viton |
| Options | 5 blade impeller available for higher flows, Base plate shown above is optional, Double seal available for dry run applications, Hydraulic motor .22 cu. in., Hydraulic motor .37 cu. in., Hydraulic motor .45 cu. in., Stainless steel impeller |

FLOMAX 5

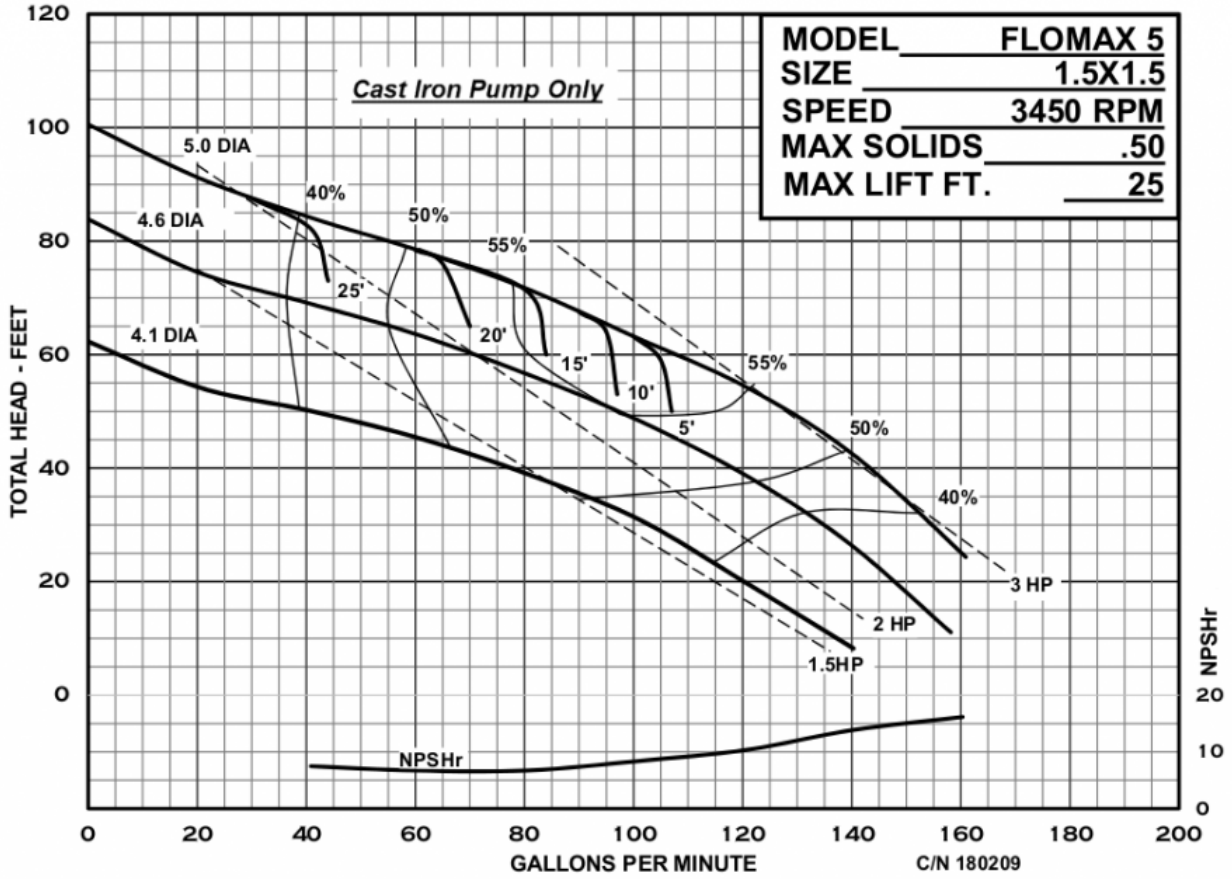
Max Solid Size

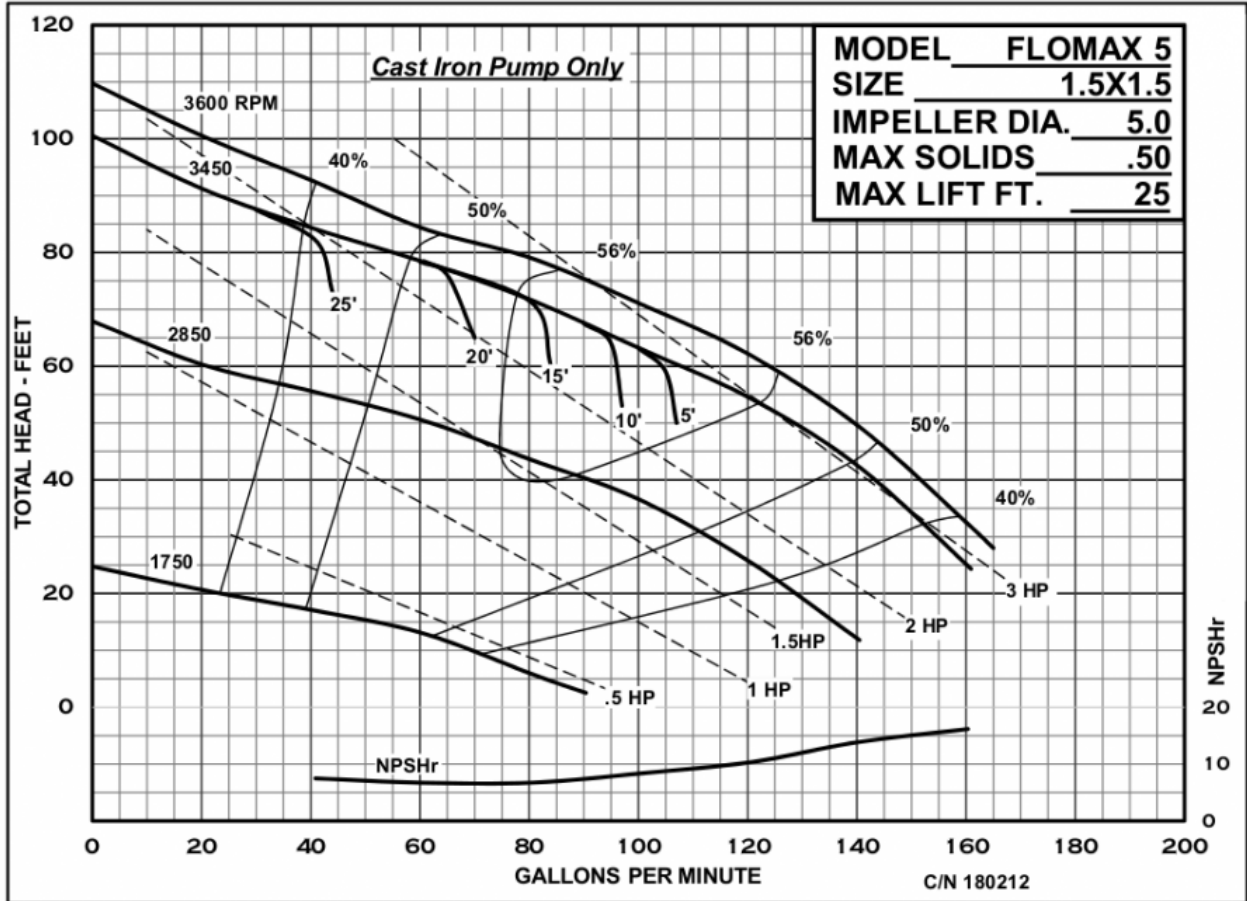
.56"



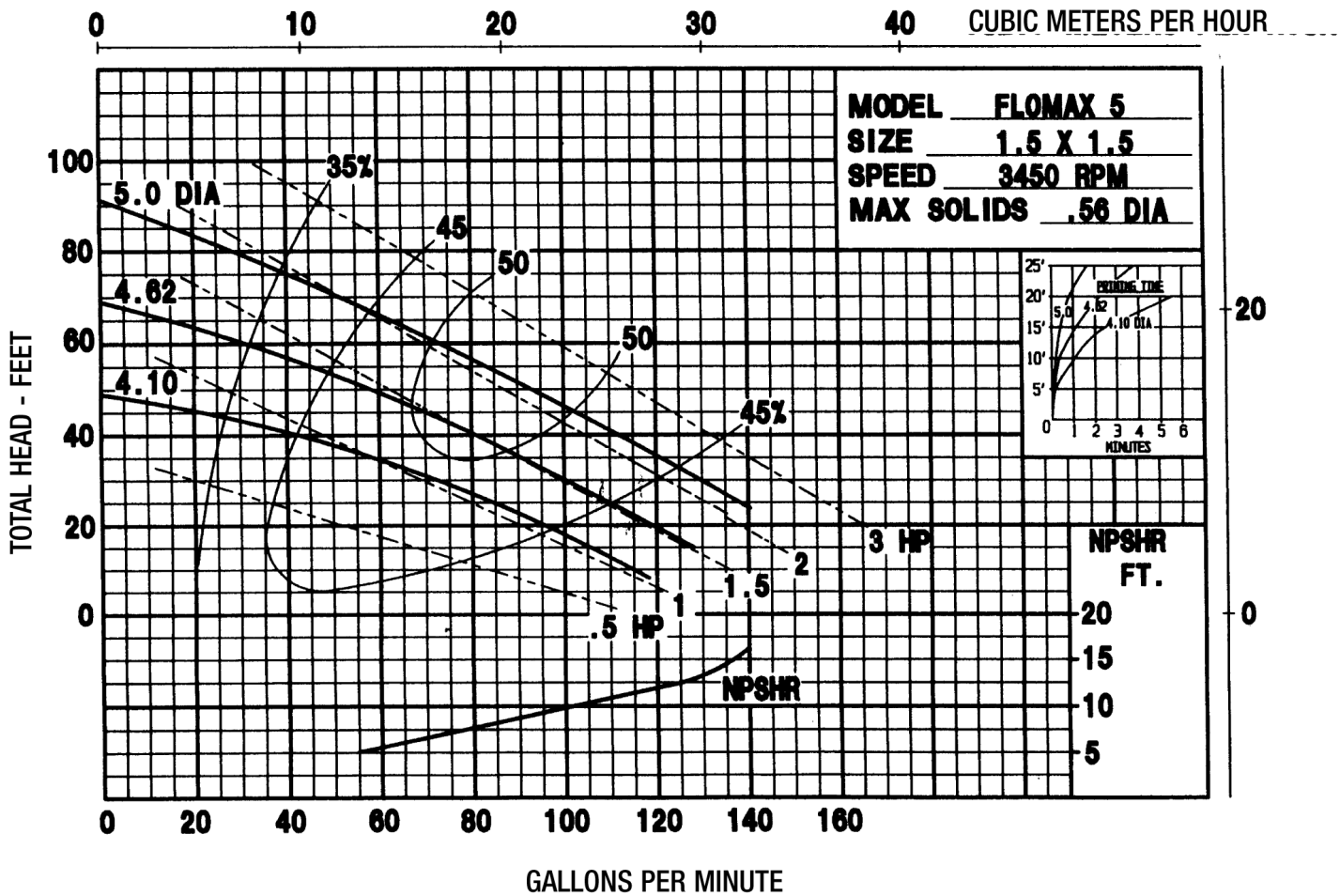
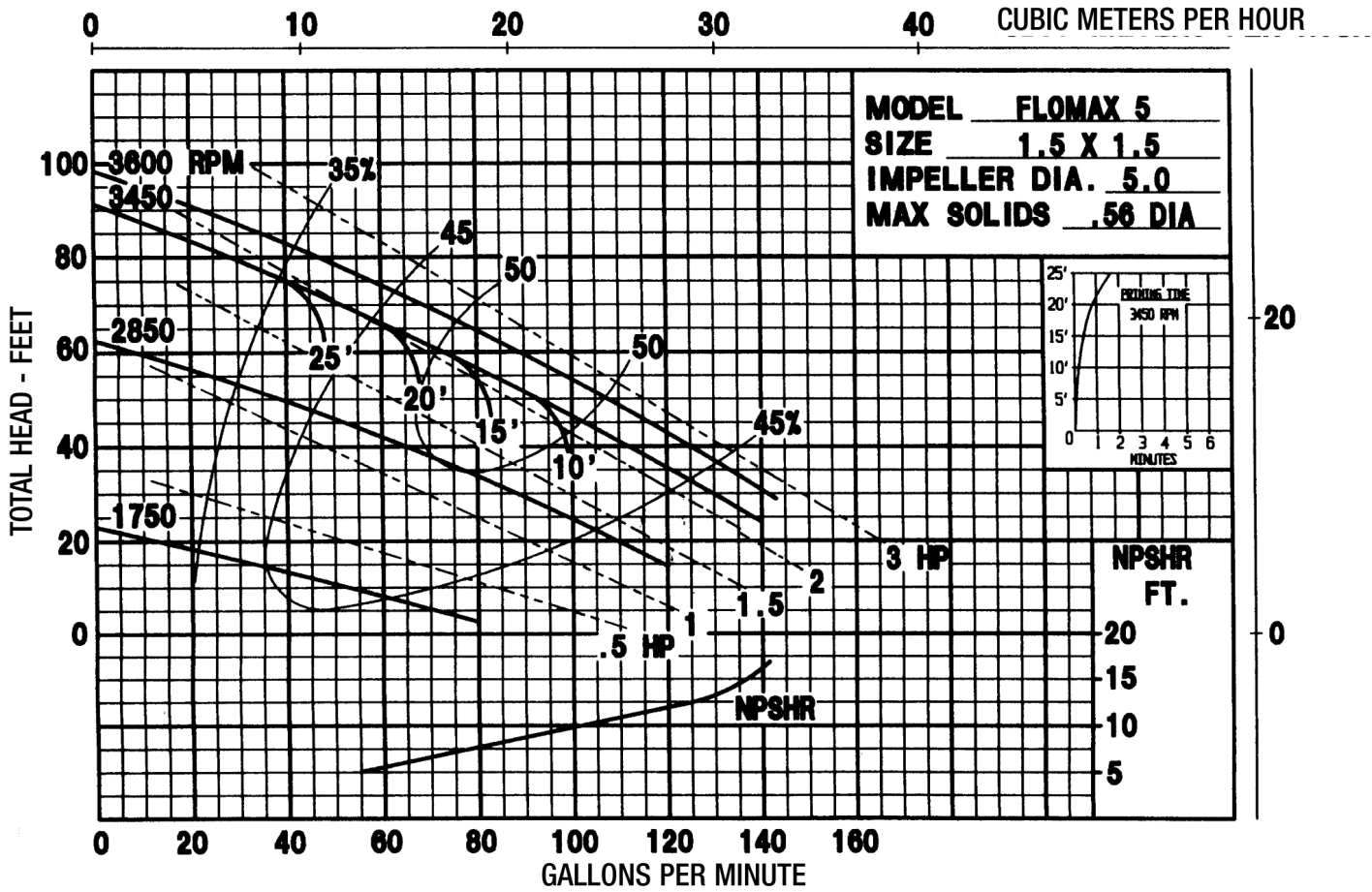
34800 BENNETT - FRASER, MI 48026-1686
(586) 293-8240 - FAX (586) 293-8469
(800) 563-8006 - www.mppumps.com

FLOMAX 5



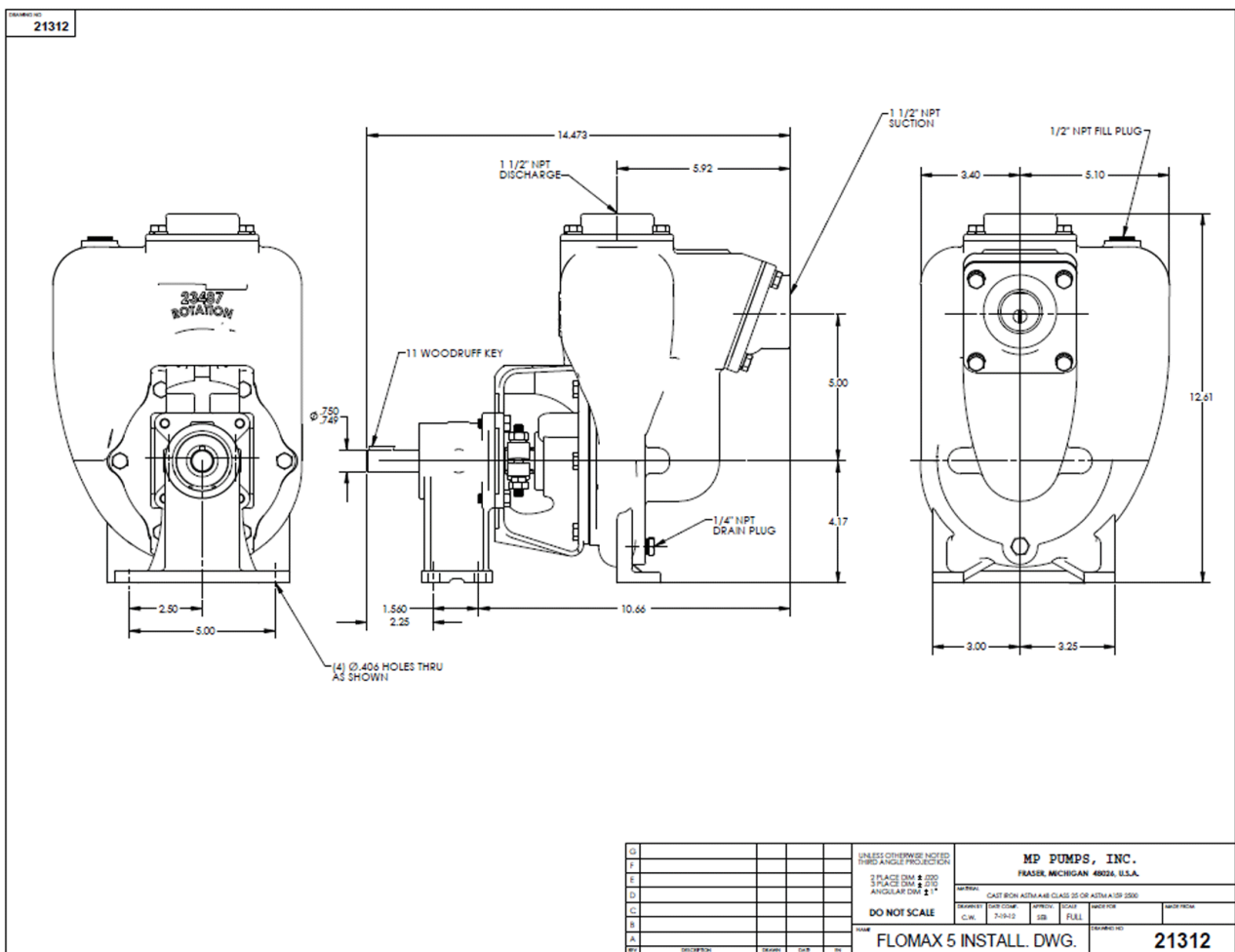
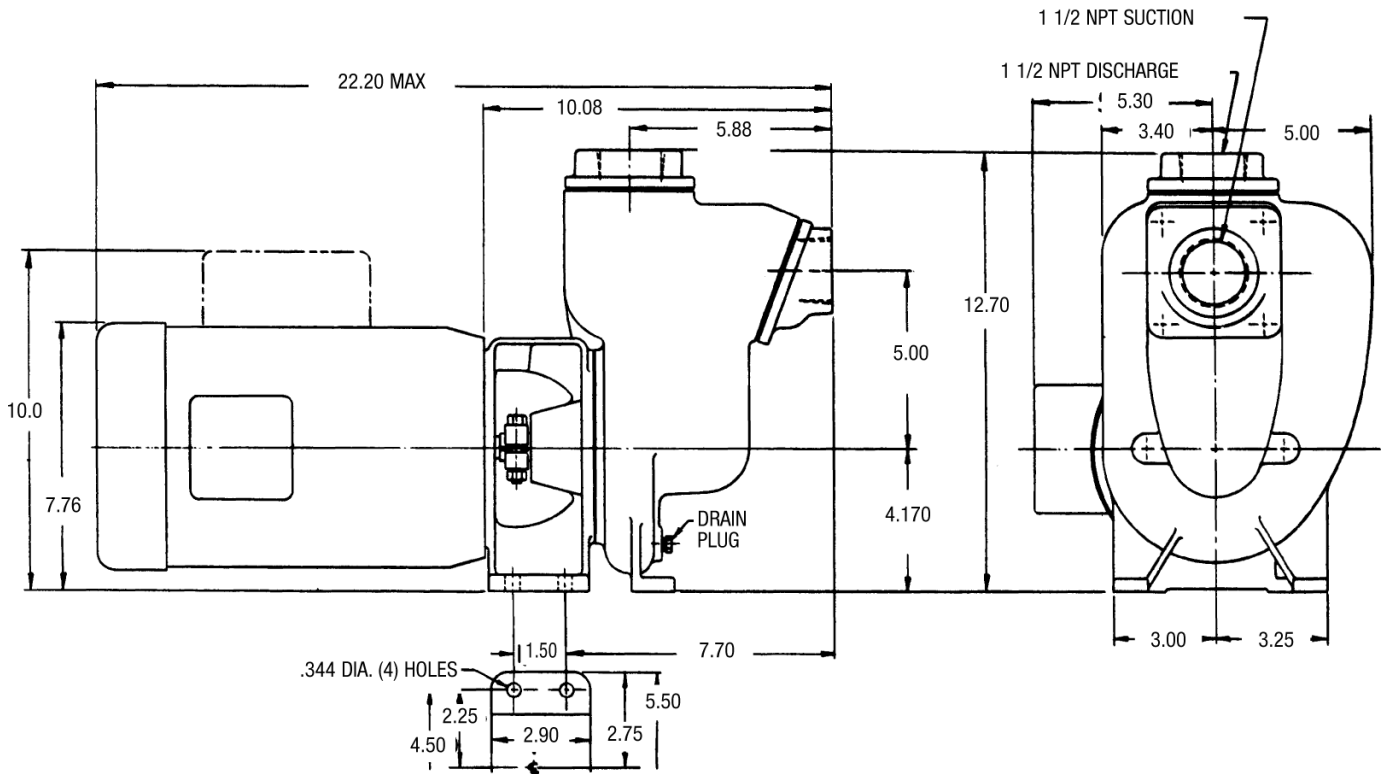


FLOMAX 5

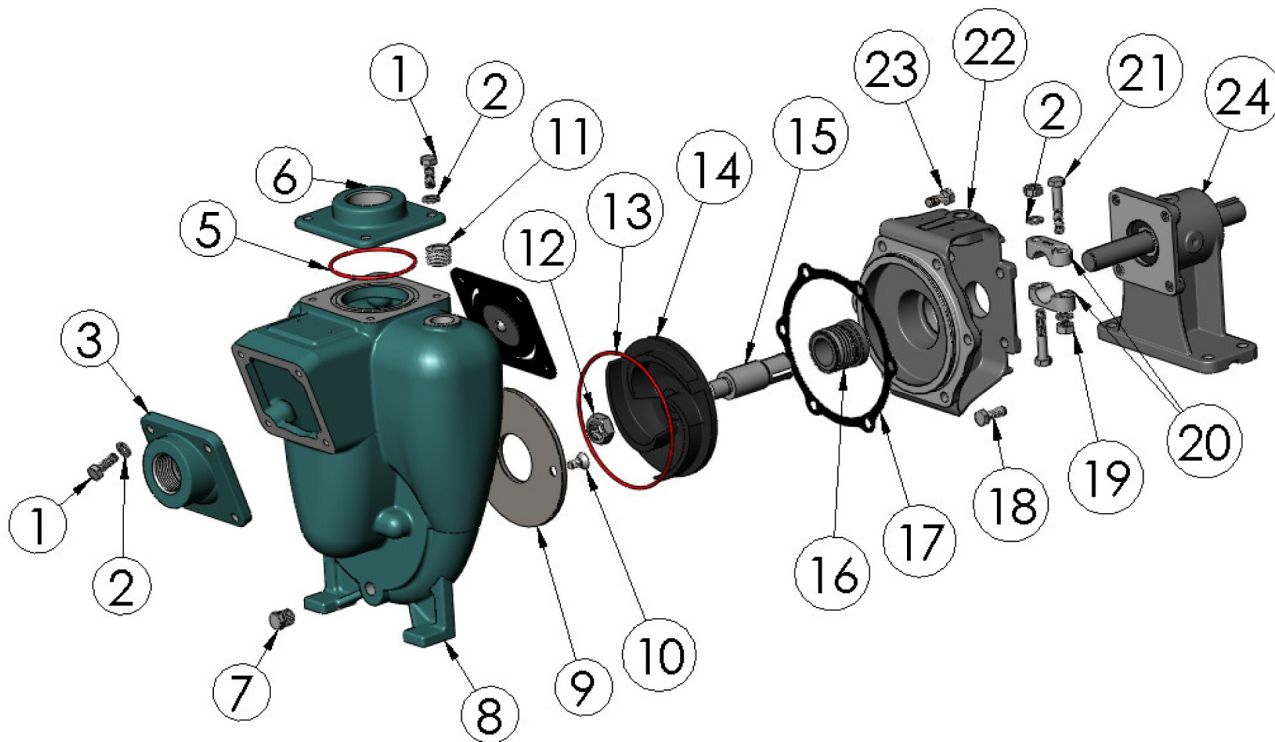


34800 BENNETT - FRASER, MI 48026-1686
 (586) 293-8240 - FAX (586) 293-8469
 (800) 563-8006 - www.mppumps.com

FLOMAX 5



34800 BENNETT - FRASER, MI 48026-1686
 (586) 293-8240 - FAX (586) 293-8469
 (800) 563-8006 - www.mppumps.com



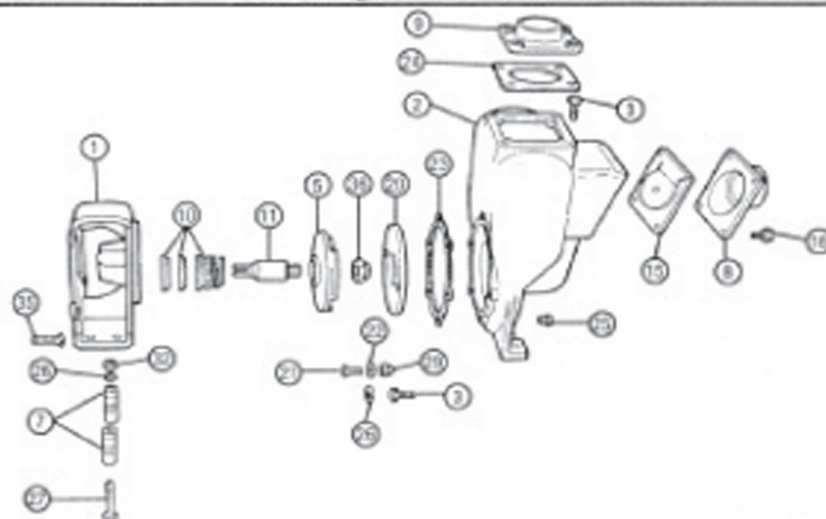
| ITEM NO. | PART NO. | DESCRIPTION | QTY. | ITEM NO. | PART NO. | DESCRIPTION | QTY. |
|----------|----------|-----------------------------|------|----------|----------|-----------------------------|------|
| 1 | 21242 | CAPSCREW - 5/16"-18 X 7/8" | 8 | 13 | 34555 | O RING - VITON | 1 |
| 2 | 21238 | LOCKWASHER 5/16 | 14 | 14 | 22293 | IMPELLER | 1 |
| 3 | 22263 | SUCTION FLANGE- 1 1/2" NPT | 1 | 15 | 22286 | DRIVE SLEEVE SS - 3/4 | 1 |
| * 4 | 23022 | FLAPPER ASY- BUNA | 1 | * 16 | 22272 | SEAL ASSY - VITON | 1 |
| * 5 | 37141 | O RING - VITON | 1 | * 17 | 22255 | GASKET | 1 |
| 6 | 22266 | DISCHARGE FLANGE- 1 1/2" NP | 1 | 18 | 21278 | CAPSCREW- 5/16"-24 X .88 | 4 |
| 7 | 41475 | PIPE PLUG- 1/4" NPT | 1 | 19 | 21284 | HEX NUT- 5/16"-18 | 2 |
| 8 | 22251 | HOUSING C | 1 | 20 | 21946 | CLAMP- 3/4 SL | 2 |
| * 9 | 22260 | WEAR PLATE C.I. | 1 | 21 | 21264 | CAPSCREW- 5/16"-18 X 1 3/4" | 2 |
| 10 | 37131 | FLAT HD. SCREW S.S. | 2 | 22 | 22247 | ADAPTOR | 1 |
| 11 | 37140 | FILL PLUG ZPS - 1/2 NPT | 1 | 23 | 24965 | CAPSCREW- 5/16"-18 X 3/4" | 6 |
| 12 | 22655 | JAM NUT- 5/8"-18 | 1 | 24 | 26141 | PEDESTAL ASY C.I. - H. DUTY | 1 |
| | | | | | | | |

* SUGGESTED REPLACEMENT PARTS

MP PUMPS SERVICE PARTS LIST

- Self Priming
- Electric Motor Drive
- Pumpak
- Close Coupled

Flomax 5 1 1/2" x 1 1/2" Pipe Size
Flomax 8 2" x 2" Pipe Size



IMPORTANT: Read special instructions for item 10.
 When ordering parts, specify model and serial number shown on nameplate.
 N/S means not shown in exploded view of parts.

| ITEM NO. | PART NO. | DESCRIPTION | QUANTITY REQUIRED PER MODEL | | | | | | |
|----------------|----------|---|-----------------------------|-----------|-------|----------|-------|--------|---|
| | | | METAL | CAST IRON | | ALUMINUM | | BRONZE | |
| | | | FLOMAX | 5 | 8 | 5 | 8 | 5 | 8 |
| | | MODEL NO. | | | | | | | |
| | | 7/8" sleeve | 26074 | 25922 | 26262 | 26066 | 26268 | 26066 | |
| | | 5/8" sleeve | 25979 | 26079 | 26260 | 26264 | 26223 | 25984 | |
| HOUSING | | | | | | | | | |
| | 23021 | Housing Assembly Cast Iron — Incl.: | 1 | 1 | | | | | |
| 2 | | Housing — Cast Iron | 1 | 1 | | | | | |
| 3 | 24965 | Capscrew — S.S. — 5/16" x 3/4" | 6 | 6 | | | | | |
| 25 | 21267 | Pipe Plug — 1/4" | 1 | 1 | | | | | |
| | 32019 | Housing Assembly R.H. Aluminum Inc.: | | | 1 | 1 | | | |
| 2 | | Housing — Aluminum | | | 1 | 1 | | | |
| 3 | 24965 | Capscrew — S.S. — 5/16" x 3/4" | | | 6 | 6 | | | |
| 25 | 21267 | Pipe Plug — 1/4" | | | 1 | 1 | | | |
| | 23020 | Housing Assembly Housing — Bronze | | | | | | 1 | 1 |
| 2 | | Housing — Bronze | | | | | | 1 | 1 |
| 3 | 24965 | Capscrew — S.S. — 5/16" x 3/4" | | | | | | 6 | 6 |
| 25 | 21267 | Pipe Plug — 1/4" | | | | | | 1 | 1 |
| 16 | 21242 | Capscrew — S.S. — 5/16" — Flanges | 8 | 8 | 8 | 8 | 8 | 8 | 8 |
| 26 | 21238 | Lockwasher — S.S. — 5/16" Housing to Suction — 4 Housing to Discharge — 4 | 8 | 8 | 8 | 8 | 8 | 8 | 8 |
| 15 | 23022 | Flapper Assembly | 1 | 1 | 1 | 1 | 1 | 1 | 1 |
| 23 | 22255 | Gasket — Housing to Adapter | 1 | 1 | 1 | 1 | 1 | 1 | 1 |
| 24 | 22256 | Gasket — Outer to Housing | 1 | 1 | 1 | 1 | 1 | 1 | 1 |
| FLANGES | | | | | | | | | |
| 8 | 22263 | Flange — Inlet — Cast Iron — 1-1/2" | 1 | | | | | | |
| 8 | 22387 | Flange — Inlet — Cast Iron — 2" | | 1 | | | | | |
| 8 | 22261 | Flange — Inlet — Aluminum — 1-1/2" | | | 1 | | | | |
| 8 | 22385 | Flange — Inlet — Aluminum — 2" | | | | 1 | | | |
| 8 | 22262 | Flange — Inlet — Bronze — 1-1/2" | | | | | 1 | | |



34800 BENNETT • FRASER, MI 48026-1686
 (586) 293-8240 • FAX (586) 293-8469
 (800) 563-8006 • www.mppumps.com

FORM 7052-F

PRINTED IN U.S.A. (8-97)



34800 BENNETT - FRASER, MI 48026-1686
 (586) 293-8240 - FAX (586) 293-8469
 (800) 563-8006 - www.mppumps.com

| ITEM NO. | PART NO. | DESCRIPTION | QUANTITY REQUIRED PER MODEL | | | | | | |
|----------|----------|-------------|-----------------------------|-----------|-------|----------|-------|--------|---|
| | | | METAL | CAST IRON | | ALUMINUM | | BRONZE | |
| | | | FLOMAX | 5 | 8 | 5 | 8 | 5 | 8 |
| | | | MODEL NO. | | | | | | |
| | | 7/8" sleeve | 26074 | 25922 | 26262 | 26066 | 26268 | 26066 | |
| | | 5/8" sleeve | 25979 | 26079 | 26260 | 26264 | 26223 | 25984 | |

FLANGES - Continued

| | | | | | | | | |
|---|-------|--------------------------------------|---|---|---|---|---|---|
| 8 | 22386 | Flange — Inlet — Bronze — 2" | | | | | | 1 |
| 9 | 22266 | Flange — Outlet — Cast Iron — 1-1/2" | 1 | | | | | |
| 9 | 22311 | Flange — Outlet — Cast Iron — 2" | | 1 | | | | |
| 9 | 22264 | Flange — Outlet — Aluminum — 1-1/2" | | | 1 | | | |
| 9 | 22309 | Flange — Outlet — Aluminum — 2" | | | | 1 | | |
| 9 | 22265 | Flange — Outlet — Bronze — 1-1/2" | | | | | 1 | |
| 9 | 22310 | Flange — Outlet — Bronze — 2" | | | | | | 1 |

IMPELLER

| | | | | | | | | |
|----|-------|---|---|---|---|---|---|---|
| 5 | 22293 | Impeller — Cast Iron — 5.0" Dia. | 1 | 1 | | | | |
| 5 | 24585 | Impeller — Cast Iron — 4.6" Dia. | | | | | | |
| 5 | 25139 | Impeller — Cast Iron — 4.1" Dia. | | | | | | |
| 5 | 22294 | Impeller — Stainless Steel — (Optional) | 1 | 1 | 1 | 1 | 1 | 1 |
| 5 | 22291 | Impeller — Aluminum — 5.0" Dia. | | | 1 | 1 | | |
| 5 | 22292 | Impeller — Bronze — 5.0" Dia. | | | | | 1 | 1 |
| 36 | 22655 | Impeller — Lock Nut — S.S. — 5" | 1 | 1 | 1 | 1 | 1 | 1 |
| 11 | 22263 | Drive Sleeve — S.S. 5/8" Bore For NEMA 56C | 1 | 1 | 1 | 1 | 1 | 1 |
| 11 | 25664 | Drive Sleeve — S.S. 7/8" Bore For NEMA 184C — 145TC — 143TC | 1 | 1 | 1 | 1 | 1 | 1 |

CLAMP

| | | | | | | | | |
|----|-------|---|---|---|---|---|---|---|
| | 23002 | Clamp Assembly, for 5/8" sleeve — 56C frame — Incl.: Clamp | 1 | 1 | 1 | 1 | 1 | 1 |
| 7 | | Clamp | 2 | 2 | 2 | 2 | 2 | 2 |
| 27 | 21264 | Capscrew — S.S. — 5/16" | 2 | 2 | 2 | 2 | 2 | 2 |
| 32 | 21284 | Hex Nut — S.S. — 5/16" | 2 | 2 | 2 | 2 | 2 | 2 |
| 26 | 21238 | Lockwasher — S.S. — 5/16" | 2 | 2 | 2 | 2 | 2 | 2 |
| | 23003 | Clamp Assembly — 7/8" sleeve — 18C — 145TC — 143TC | 1 | 1 | 1 | 1 | 1 | 1 |
| 7 | | Clamp | 2 | 2 | 2 | 2 | 2 | 2 |
| 27 | 21264 | Capscrew — S.S. — 5/16" | 2 | 2 | 2 | 2 | 2 | 2 |
| 32 | 21284 | Hex Nut — S.S. — 5/16" | 2 | 2 | 2 | 2 | 2 | 2 |
| 26 | 21238 | Lockwasher — S.S. — 5/16" | 2 | 2 | 2 | 2 | 2 | 2 |

WEAR PLATE

| | | | | | | | | |
|----|-------|--|---|---|---|---|---|---|
| 20 | 23024 | Wear Plate Assembly — Steel — Incl.: Wear Plate — Steel | 1 | 1 | | | | |
| 21 | 21249 | Flat Head Screw — S.S. — 5/16" | 2 | 2 | | | | |
| 22 | 21248 | Annular Gasket — 1/2" | 2 | 2 | | | | |
| 20 | 22270 | Wear Plate Assembly — Aluminum — Incl.: Wear Plate — Aluminum | | | 1 | 1 | | |
| 21 | 21249 | Flat Head Screw — S.S. — 5/16" | | | 2 | 2 | | |
| 22 | 21248 | Annular Gasket — 1/2" | | | 2 | 2 | | |
| 20 | 22271 | Wear Plate Assembly — Bronze — Incl.: Wear Plate — Bronze | | | | | 1 | 1 |
| 21 | 21249 | Flat Head Screw — S.S. — 5/16" | | | | | 2 | 2 |
| 22 | 21248 | Annular Gasket — 1/2" | | | | | 2 | 2 |
| 29 | 21237 | Acom Nut — S.S. — 5/16" | 2 | 2 | 2 | 2 | 2 | 2 |

SEAL

Be sure you specify whether you want the self-lubricated seal or the grease-lubricated seal.

| | | | | | | | | |
|-----|-------|--|---|---|---|---|---|---|
| 10 | 22272 | Seal Assembly — Self-lubricated — Incl.: | 1 | 1 | 1 | 1 | 1 | 1 |
| *10 | 22290 | Seal Assembly — Grease Lubricated | 1 | 1 | 1 | 1 | 1 | 1 |
| | 22313 | Grease Cup N/S | 1 | 1 | 1 | 1 | 1 | 1 |

ADAPTOR

| | | | | | | | | |
|-----|-------|--|---|---|---|---|---|---|
| 1 | 25904 | Adaptor — Cast Iron | 1 | 1 | | | | |
| 1 | 25946 | Adaptor — Aluminum | | | 1 | 1 | | |
| 1 | 25948 | Adaptor — Bronze | | | | | 1 | 1 |
| 1 | 26181 | Adaptor — Cast Iron — Grease Seal Assembly | 1 | | 1 | | | |
| 35 | 21251 | Capscrew 5/16" — Adaptor To Motor | 4 | 4 | 4 | 4 | 4 | 4 |
| N/S | 21238 | Lockwasher 5/16" — Adaptor Motor | 4 | 4 | 4 | 4 | 4 | 4 |

*Optional for special applications.



MP PUMPS, INC.

34800 BENNETT • FRASER, MI 48026-1686
(586) 293-8240 • FAX (586) 293-8469
(800) 563-8008 • www.mppumps.com

FORM 7052-F

PRINTED IN U.S.A. (8-97)