



FRX 75 P

Centrifugal Pump

Model FRX 75 P is a high performance polyphenylene sulfide (PPS) centrifugal pump. The pump is ideal for marine, agricultural, commercial or industrial transfer applications of compatible fluids.

The FRX 75 P model features a polyphenylene sulfide pump with a 316 stainless steel impeller for superior corrosion resistance. A carbon/ceramic/viton bellows shaft seal is standard. Ports are 1" hose connections. Marine ignition protected motors available. Pump can be rotated in 90° increments.



SPECIFICATIONS:

Housing	Polyphenylene Sulfide
Cover	Polyphenylene Sulfide
Impeller	316 Stainless Steel, Semi-Open (Sintered PM)
Mechanical Seal	Carbon/Ceramic/Viton Bellows Special Seals Upon Request
O-ring	Viton
Motor	12VDC, 24VDC and 32VDC 60HZ, Single Phase, 115VAC ODP and TENV 60HZ, Single Phase, 230VAC TENV 50HZ, Single Phase, 220VAC TENV
Weights	Pump W/AC Motor 13 lbs. Pump W/DC Motor 7.5 lbs.

Application:

- Marine
- Industrial
- Commercial

Construction:

- Polyphenylene Sulfide

Maximum Working Pressure:

- 30 PSI (2.1 BAR)

Maximum Temperature:

- 220°F (104°C)

Motor Options:

- AC
- DC

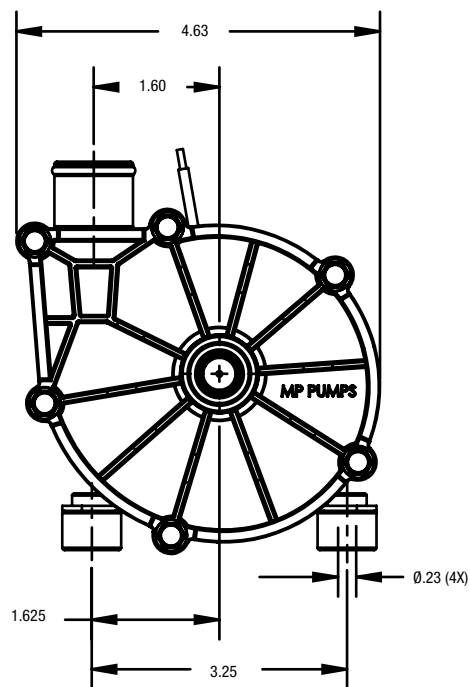
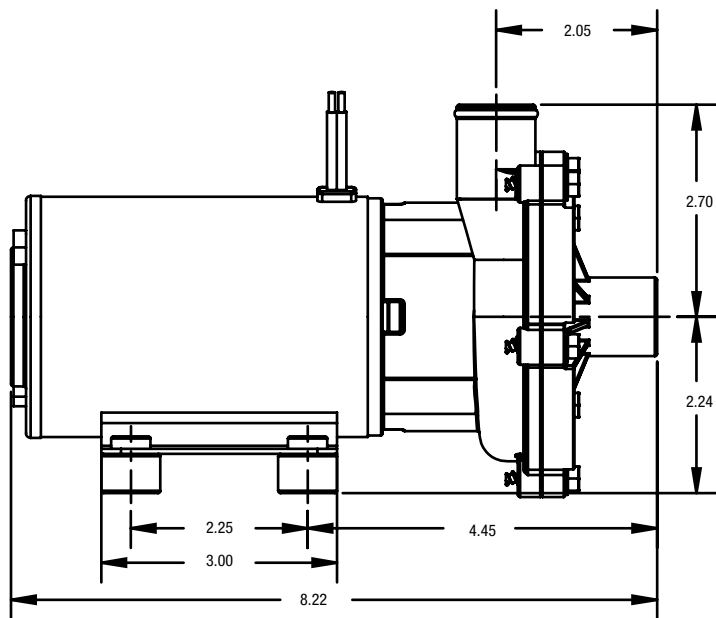
Port Sizes:

- 1" Hose Connections

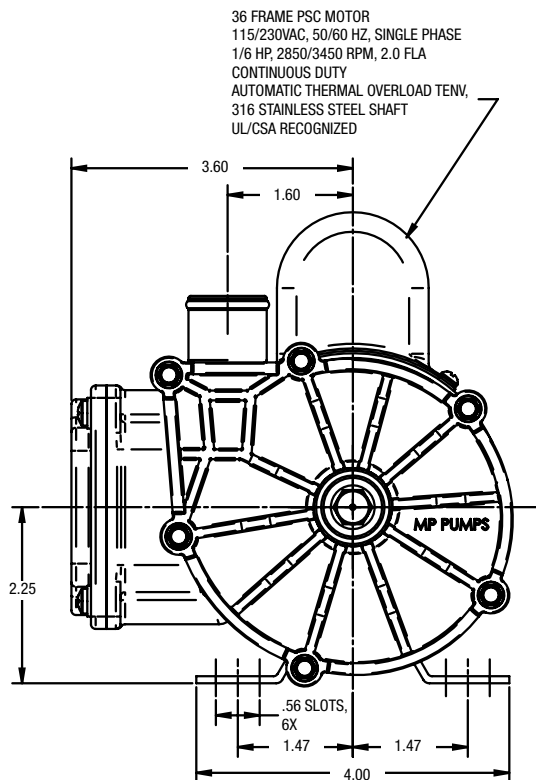
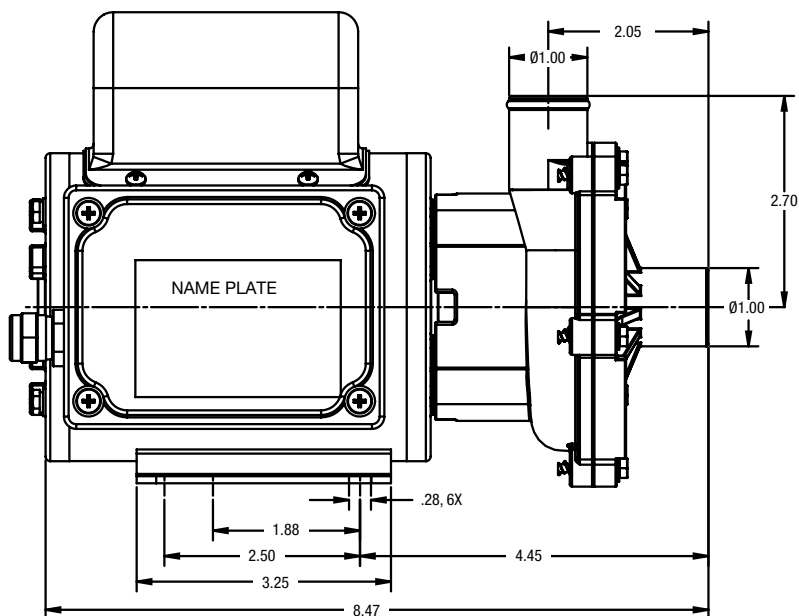
Seal:

- Carbon / Ceramic / Viton

FRX 75 P 12V or 24V Dimensions



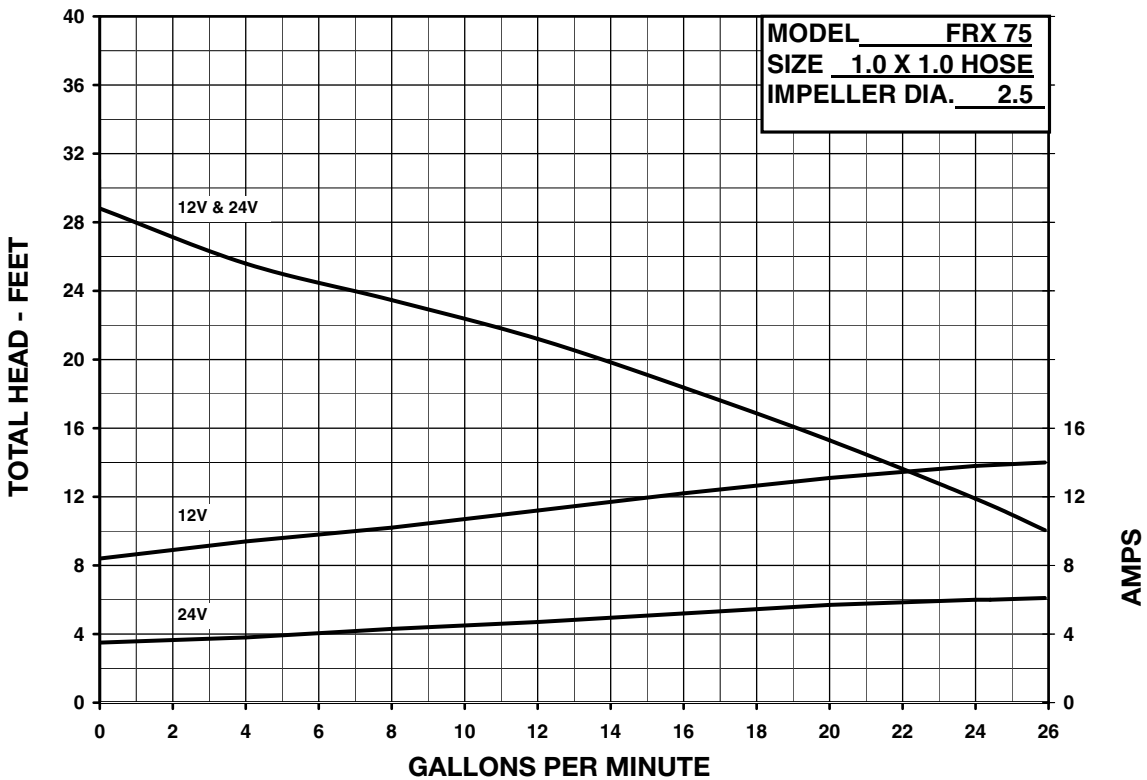
FRX 75 P 115V Dimensions



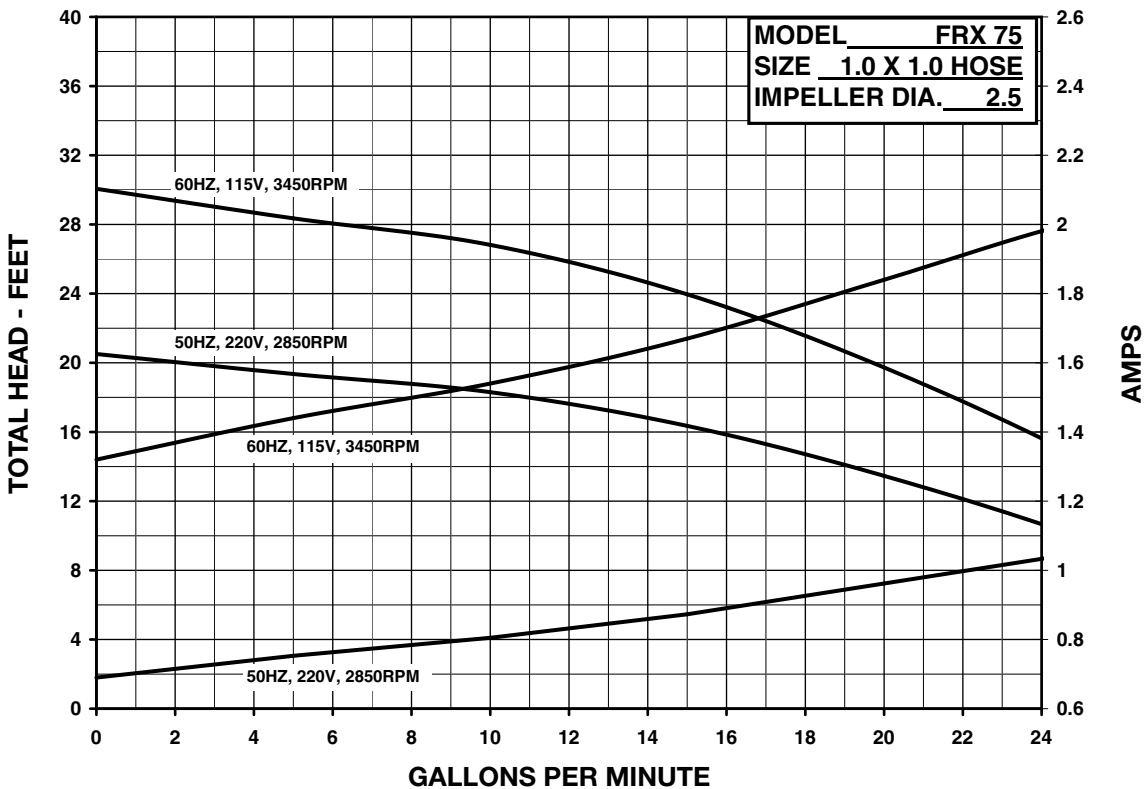
36 FRAME PSC MOTOR
 115/230VAC, 50/60 HZ, SINGLE PHASE
 1/6 HP, 2850/3450 RPM, 2.0 FLA
 CONTINUOUS DUTY
 AUTOMATIC THERMAL OVERLOAD TENV,
 316 STAINLESS STEEL SHAFT
 UL/CSA RECOGNIZED

FRX 75 P 12 or 24V Performance Curves

**12VDC MOTOR
FOR 24VDC MOTOR
DIVIDE AMPS BY TWO**



FRX 75 P 115V Performance Curves



34800 BENNETT • FRASER, MI 48026-1686
(586) 293-8240 • FAX (586) 293-8469
(800) 563-8006 • www.mppumps.com