



SERIES 300 HYDRAULIC

3" x 2-1/2" End Suction Centrifugal Pump

SERIES 300 Hydraulic end suction centrifugal pumps are offered with 1.16 or 1.59 cubic inch displacement gerotor motors for hydraulic flows up to 27 GPM and a maximum pressure of 2200 PSI.

SERIES 300 end suction centrifugal pumps are available in cast iron or bronze construction to suit a wide variety of liquids.

All fasteners are stainless steel to reduce corrosion. Impellers are dynamically balanced to improve efficiency and bearing life.

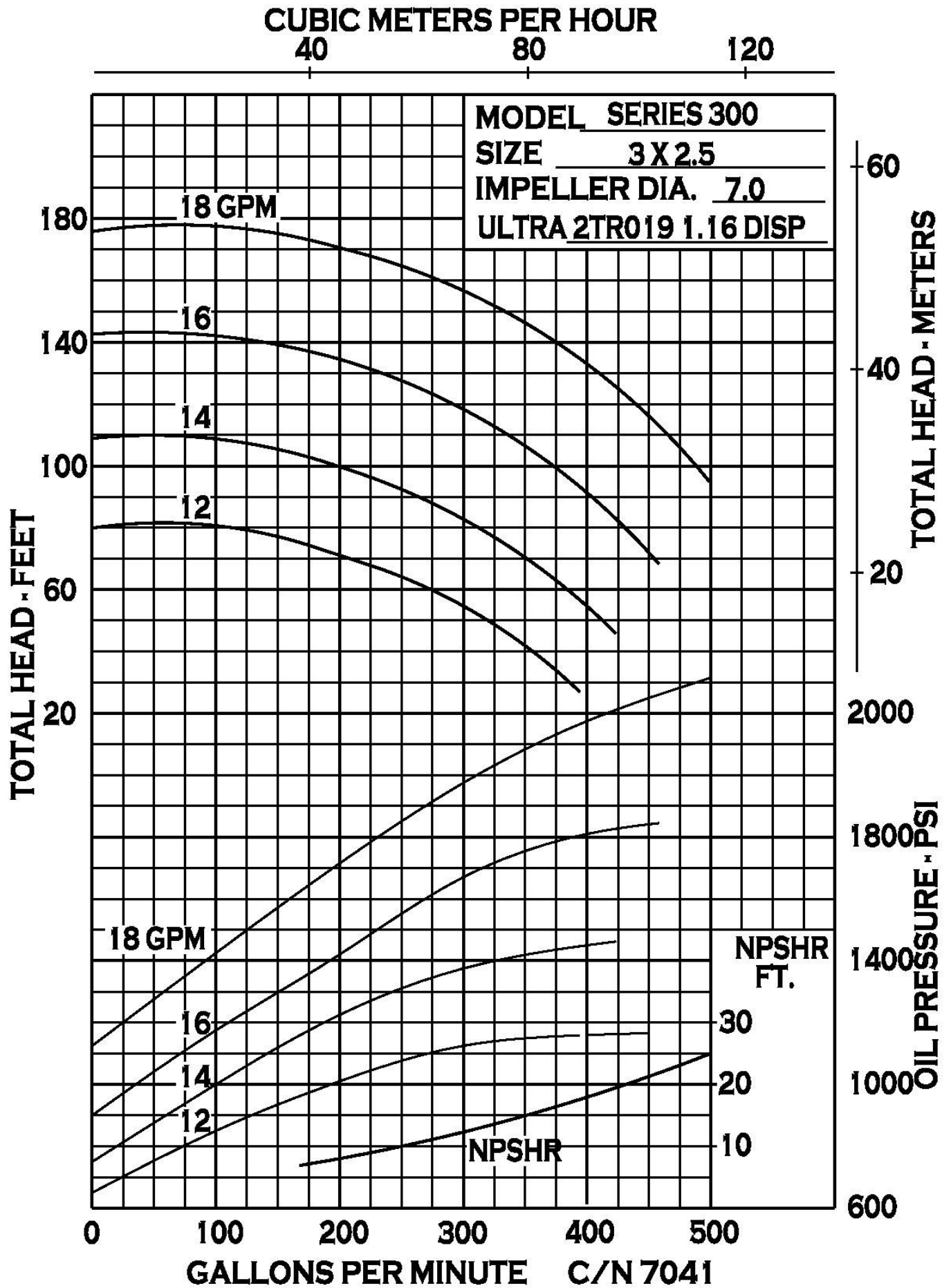
Standard carbon / ceramic / Viton mechanical seal is self-adjusting and corrosion resistant to handle almost any liquid.

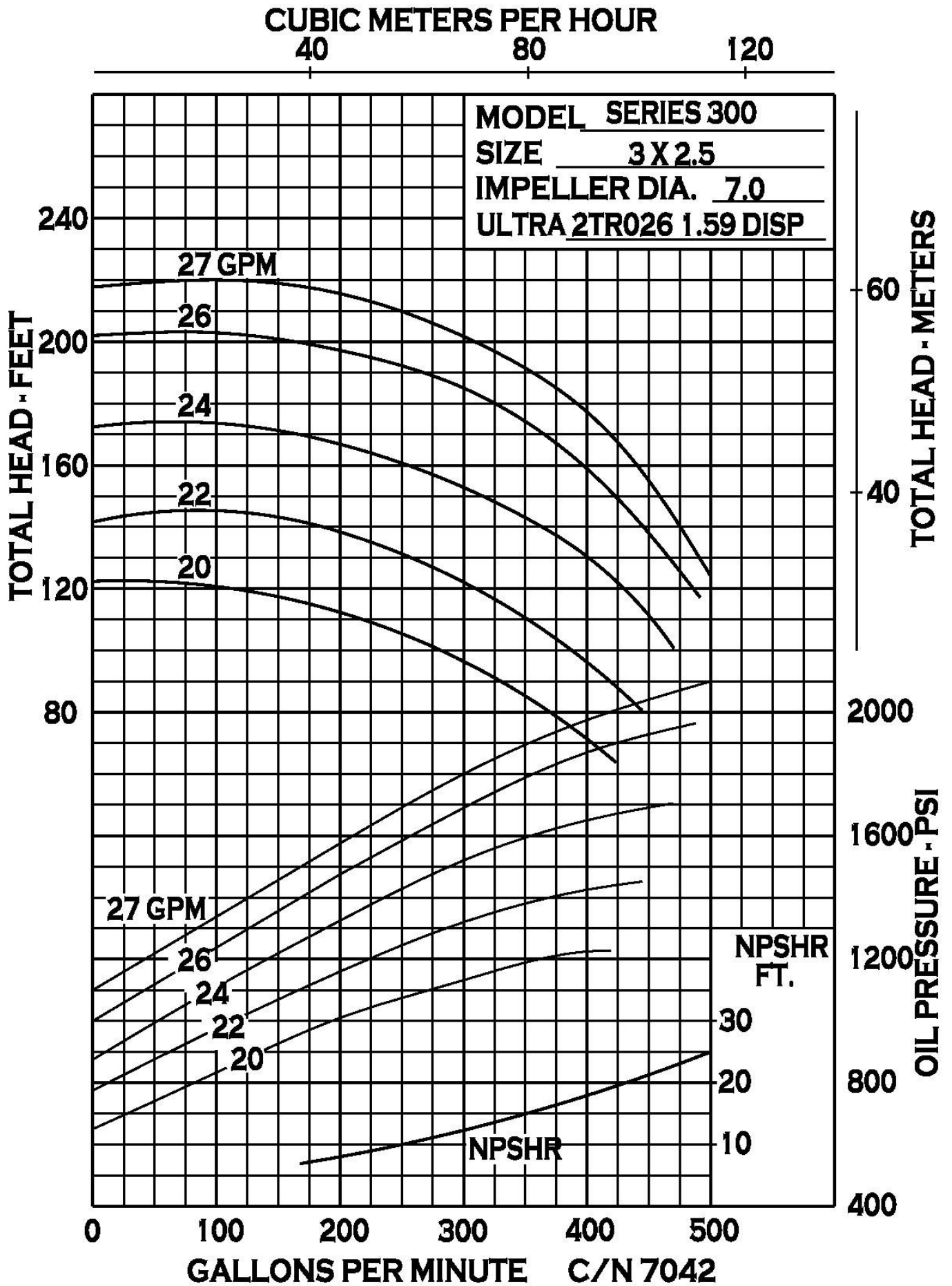
Application

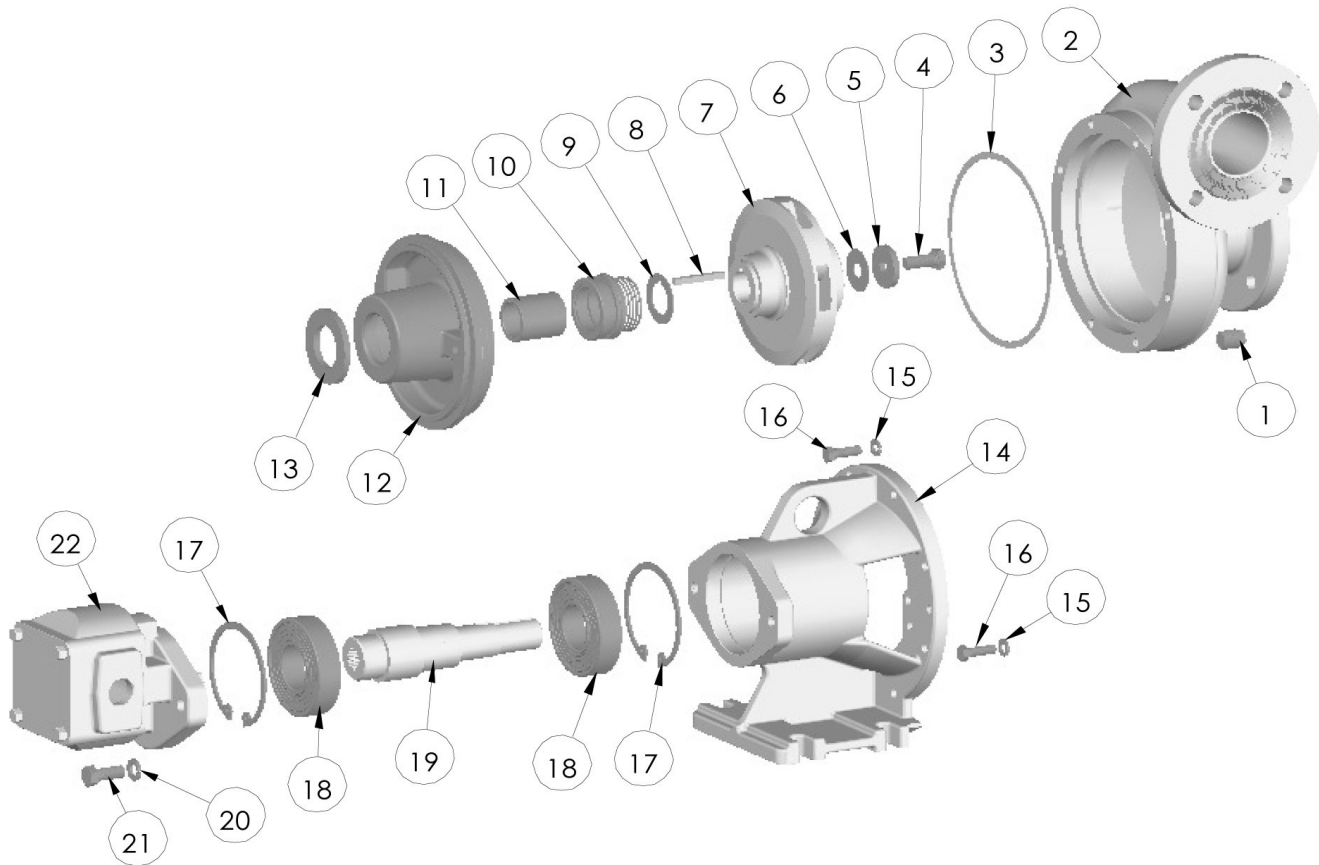
- Agricultural
- Industrial
- Marine
- OEM

SPECIFICATIONS:

Suction And Discharge	3" x 2-1/2" 125 ANSI Flanges
Materials Of Construction	Cast iron
Flow	Up to 520 GPM
Head Feet	Up to 220'
Impeller	7" enclosed cast iron
Drive Options	Hydraulic motor 1.16 cu. in., Hydraulic motor 1.59 cu. in.
Seal	Standard carbon / ceramic / Viton
Psi	Up to 95
Hydraulic Fluid Flow	Up to 27 GPM
Max Solid Size	.47"
Hydraulic Motor	Gear
Options	Hydraulic motors with flow controls
Hydraulic System Pressure	Up to 2200 PSI



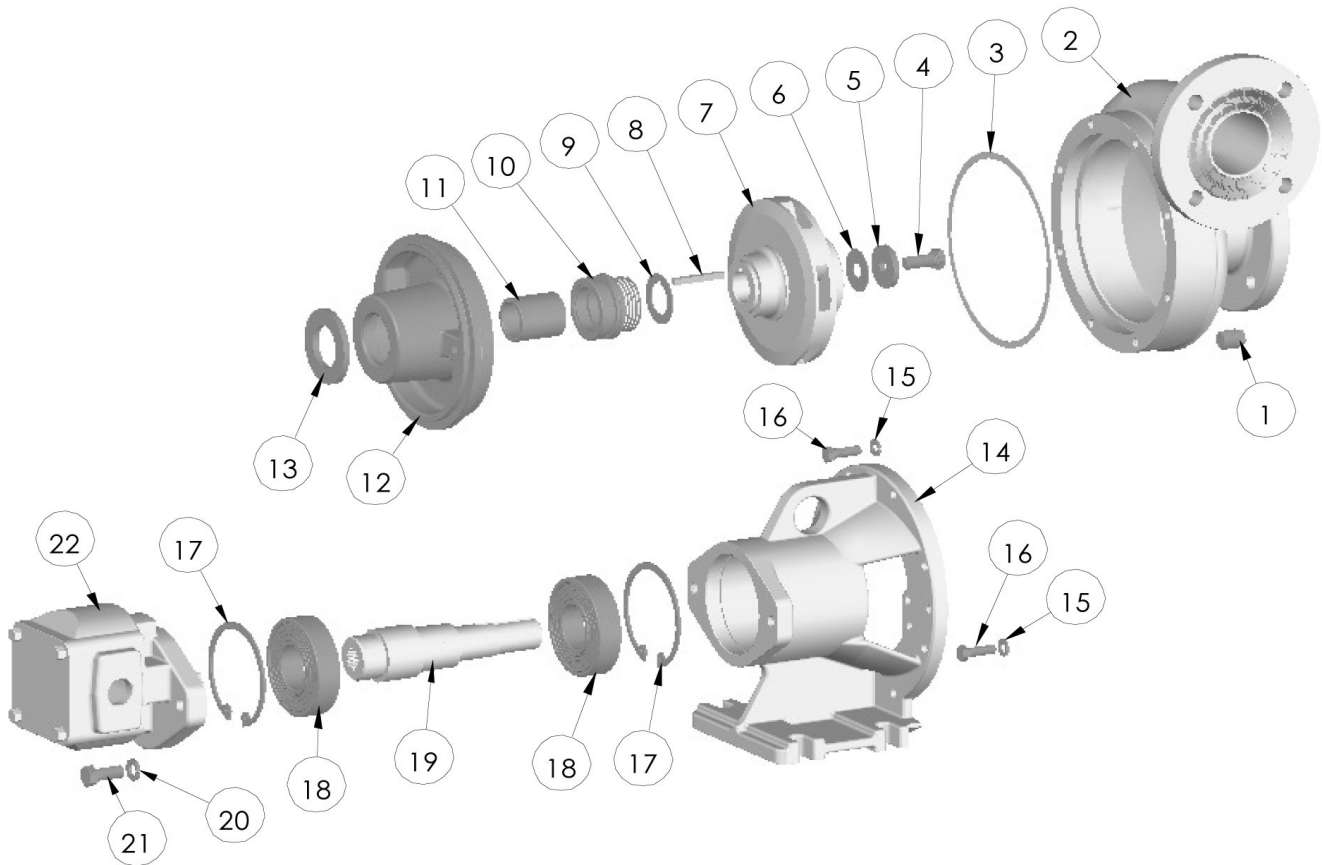




ITEM NO.	PART NO.	DESCRIPTION	QTY.		ITEM NO.	PART NO.	DESCRIPTION	QTY.	
1	22656	PIPE PLUG: 1/2" NPT	2		12	26737	ADAPTOR: CI	1	
2	26733	HOUSING: DUCTILE	1		13	26680	SLINGER	1	
*	3	26744	GASKET	1	14	26994	BODY: CI	1	
4	26674	SEAL BOLT	1		15	21266	LOCKWASHER SS: 3/8"	10	
5	26675	WASHER SS: IMPELLER	1		16	21274	CAPSCREW SS: 3/8-16 X 1.25"	10	
*	6	27403	GASKET	1	17	26998	SNAP RING: STL	2	
7	26788	IMPELLER: CI 7" DIAM.	1		18	26997	BALL BEARING	2	
8	26796	SQ. KEY: .25 X .25 X 2.12	1		19	26995	SHAFT	1	
*	9	27404	GASKET	1	20	21254	LOCKWASHER SS: 1/2"	2	
*	10	26685	MECH. SEAL: VITON	1	21	21246	CAPSCREW SS: 1/2-13 X 1.25	2	
*	11	26996	SHAFT SLEEVE	1	*	22	29993	HYD MTR: 7/8 SPLINE 1.59 DISP	1

* - SUGGESTED REPLACEMENT PARTS





ITEM NO.	PART NO.	DESCRIPTION	QTY.		ITEM NO.	PART NO.	DESCRIPTION	QTY.
1	22656	PIPE PLUG: 1/2" NPT	2		12	26737	ADAPTOR: CI	1
2	26733	HOUSING: DUCTILE	1		13	26680	SLINGER	1
* 3	26744	GASKET	1		14	26994	BODY: CI	1
4	26674	SEAL BOLT	1		15	21266	LOCKWASHER SS: 3/8"	10
5	26675	WASHER SS: IMPELLER	1		16	21274	CAPSCREW SS: 3/8-16 X 1.25"	10
* 6	27403	GASKET	1		17	26998	SNAP RING: STL	2
7	26788	IMPELLER: CI 7" DIAM.	1		18	26997	BALL BEARING	2
8	26796	SQ. KEY: .25 X .25 X 2.12	1		19	26995	SHAFT	1
* 9	27404	GASKET	1		20	21254	LOCKWASHER SS: 1/2"	2
* 10	26685	MECH. SEAL: VITON	1		21	21246	CAPSCREW SS: 1/2-13 X 1.25	2
* 11	26996	SHAFT SLEEVE	1	*	22	29992	HYD MTR: 7/8 SPLINE 1.16 DISP	1

* - SUGGESTED REPLACEMENT PARTS