



PETROLEUM 120

2" x 1-1/2" End Suction Centrifugal Pump

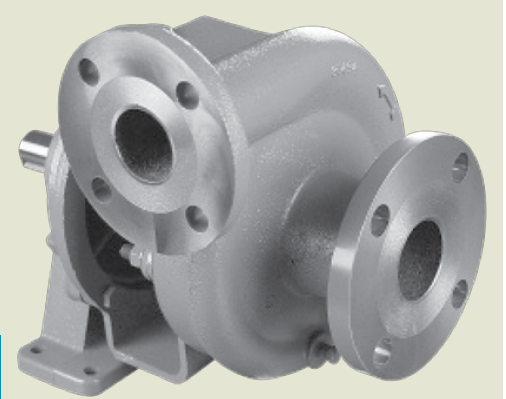
Specifically designed for petroleum based fluids, MP's Petroleum 120 series is available in three distinct models: SO 120, SG 120 and SE 120.

Designed to close-couple to 184TC frame electric motors, the models are also available as PumPAKs®. Additional mounting options include pedestal.

Pump rotation in 90° increments.

SPECIFICATIONS:

Suction And Discharge	2" x 1-1/2" 150# flange
Flow	Up to 200 GPM
Head Feet	Up to 135'
Impeller	SE 120 - semi open cast iron, SG 120 - semi open aluminum, SO 120 - semi open cast iron
Motor	Up to 7 1/2 HP
Drive Options	Close coupled 184TC, Hydraulic motor .45 cu. in., Hydraulic motor .58 cu. in., Hydraulic motor .73 cu. in., Pedestal, PumPAK® (without motor)
Seal	SE 120 - carbon / silicon carbide / viton, SG 120 - carbon / silicon carbide / viton, SO 120 - carbon / ni-resist / Viton
Mounting Options	SE 120 - Explosion proof Class 1 Group D, SG 120 - Explosion proof Class 1 Group D, SO 120 - TEFC
Compatible For	SE 120 - Ethanol, E 85, SG 120 - Gasoline, Avgas, Kerosene, Jet A/8, SO 120 - Biodiesel, Fuel Oil, Diesel

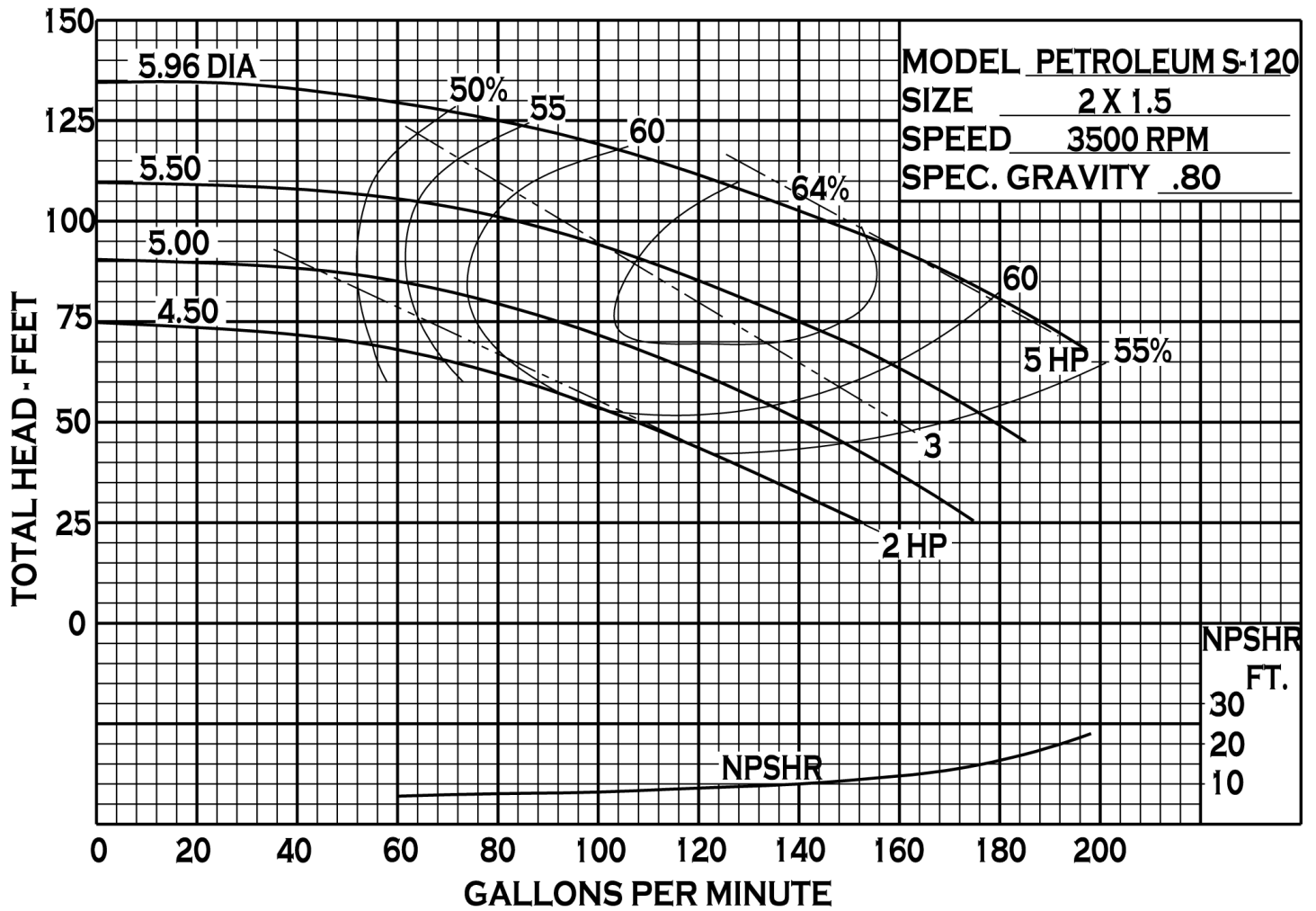


Application

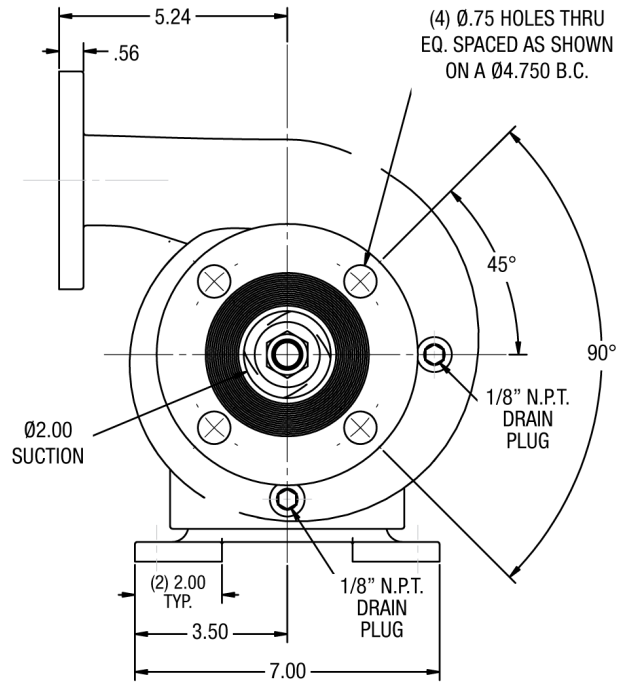
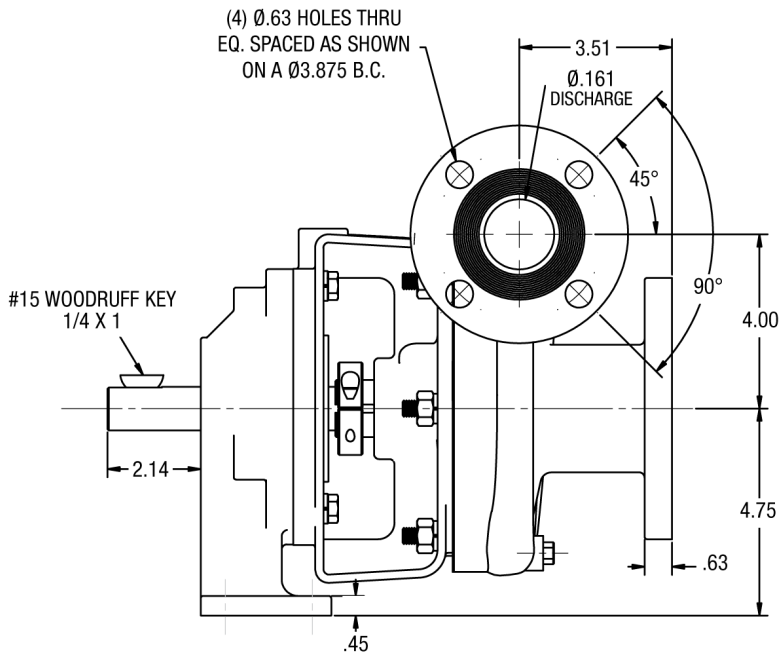
- Agricultural
- Industrial
- Marine
- OEM

Features

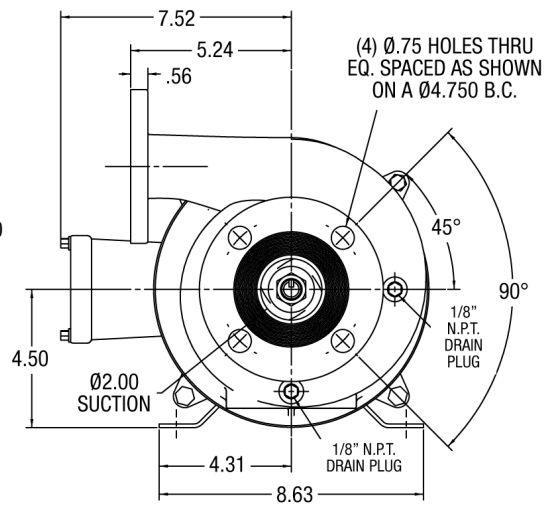
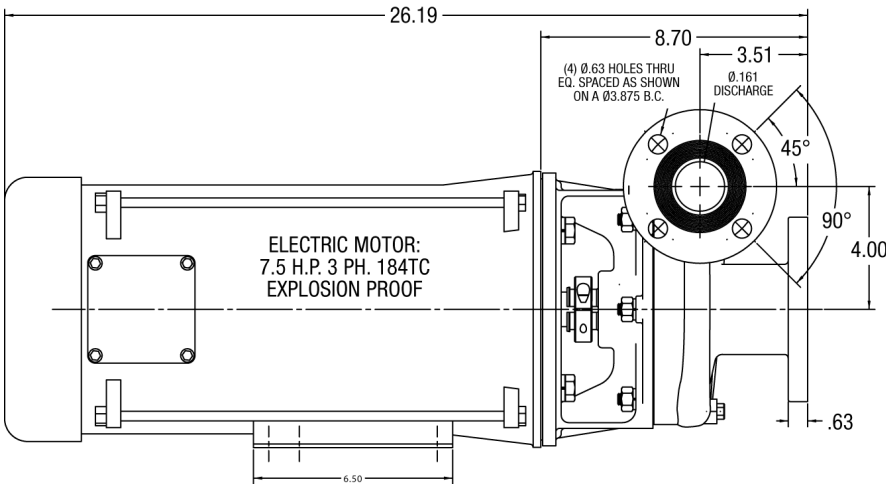
- Non-spark clamp

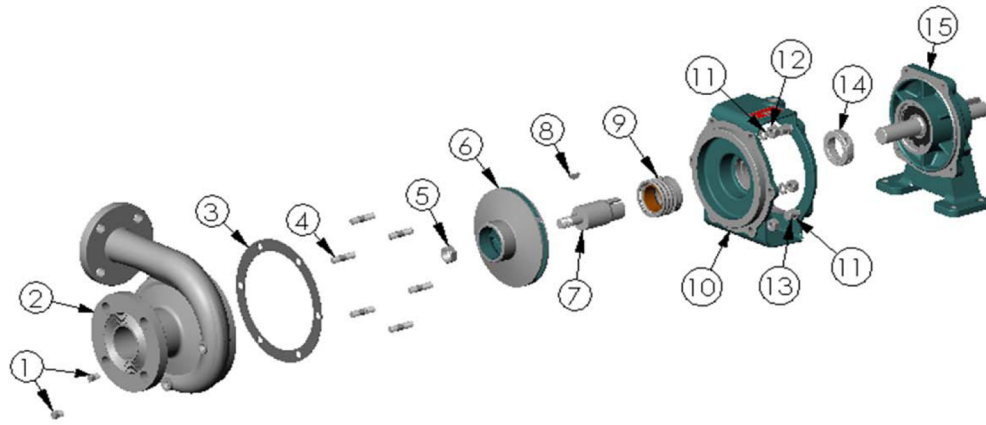


PEDESTAL-MOUNT



CLOSE COUPLED - ELECTRIC MOTOR





ITEM NO.	PART NO.	DESCRIPTION	QTY.		ITEM NO.	PART NO.	DESCRIPTION	QTY.
1	21255	PIPE PLUG - S.S. - 1/8" N.P.T.	2	*	9	35651	SEAL - 1.5" - TYPE 2 - CAR / SIC / VIT	1
2	31492	HOUSING - DUCTILE IRON	1		10	35652	ADAPTER - DUCTILE IRON	1
* 3	25662	GASKET - KLINGERSIL	1		11	21266	LOCKWASHER - S.S. - 3/8"	10
4	21261	STUD - S.S. - 3/8-16	6		12	21268	HEX NUT - S.S. - 3/8-16	6
5	22655	JAM NUT - S.S. - 5/8-18	1		13	21259	CAPSCREW - S.S. - 3/8-16	4
6	27027	IMPELLER - CAST IRON - Ø5.96	1		14	35649	CLAMP - B - 1.0"	1
7	22700	DRIVE SLEEVE - S.S. - 1.0"	1		15	26163	PEDESTAL ASSEMBLY	1
8	21762	#8 WOODRUFF KEY - S.S.	1					

*- RECOMMENDED REPLACEMENT PARTS