



HYDRASUB 30

3" Submersible Centrifugal Pump

HYDRASUB 30 is a compact, lightweight, hydraulically driven submersible pump with high flow capabilities. This self-priming pump is made with a high strength aluminum alloy that is anodized for corrosion resistance. This pump features a stainless steel impeller, ball bearing, and a gerotor type hydraulic motor.

SPECIFICATIONS:

Materials Of Construction	Aluminum
Flow	Up to 400 GPM
Head Feet	Up to 108'
Impeller	4.0" stainless steel
Drive Options	Hydraulic motor .45 cu. in., Hydraulic motor .58 cu. in.
Discharge	3" NPT with A-type cam and groove fitting included
Max Solid Size	Up to 1/2" particles

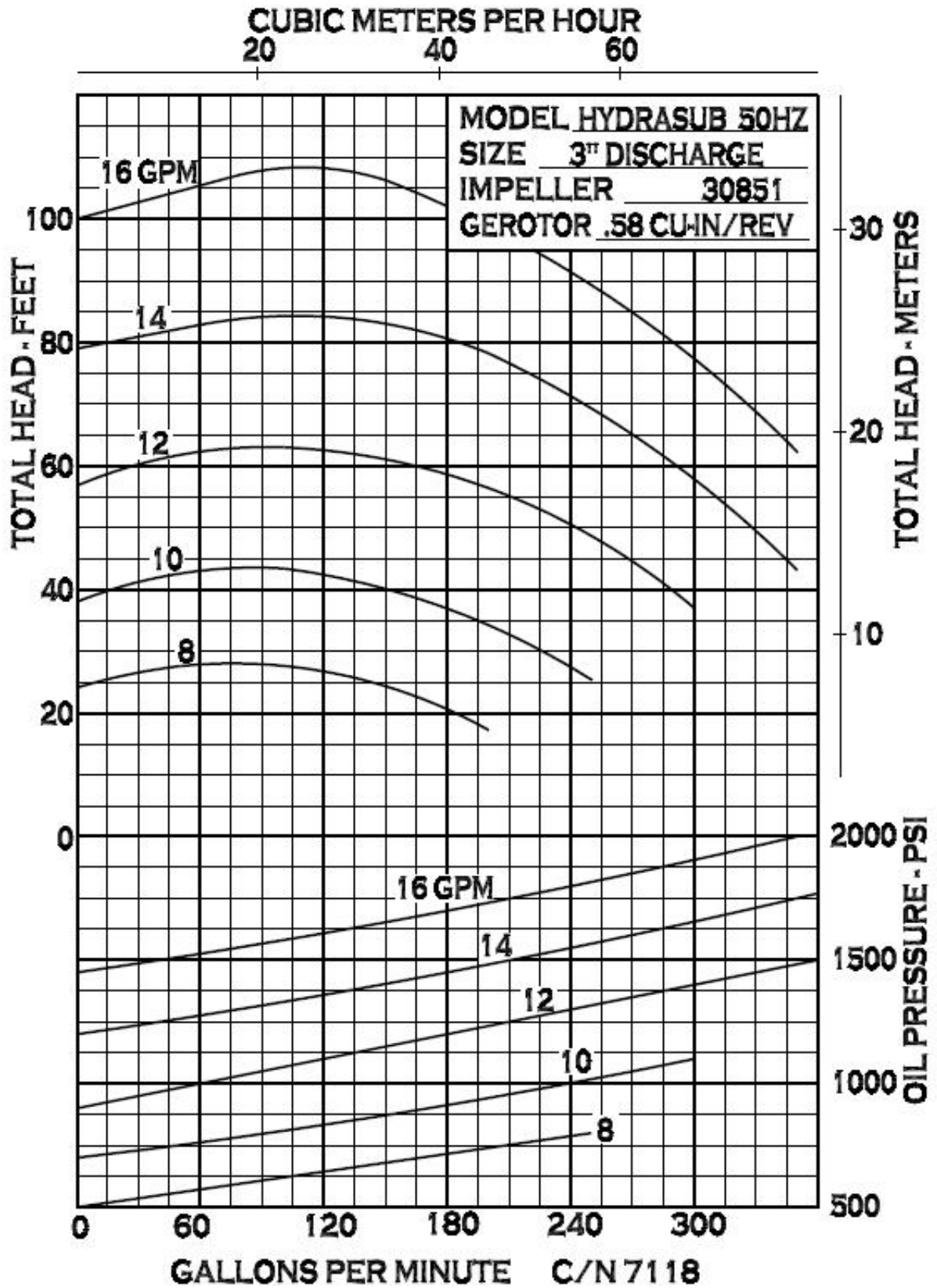


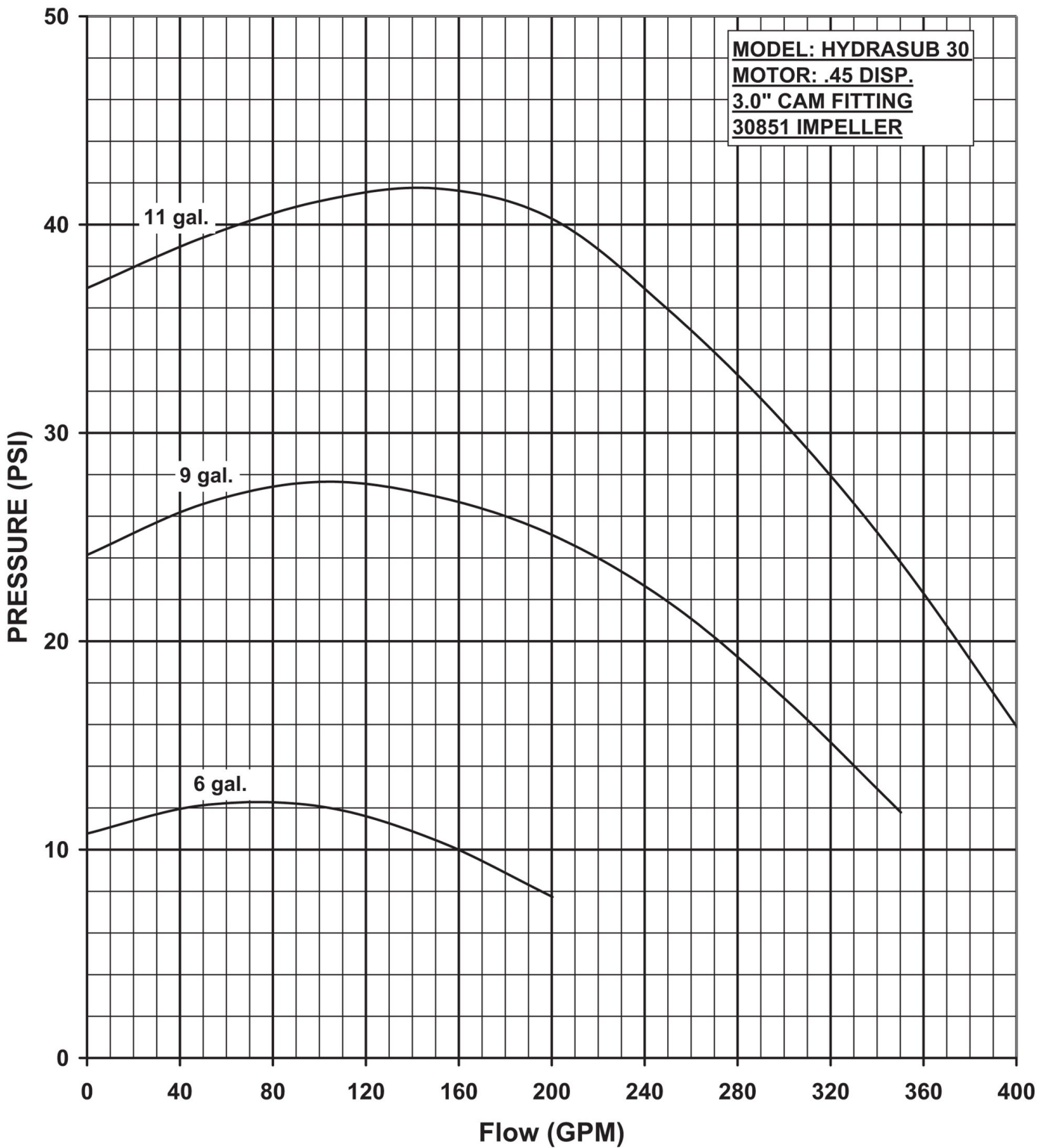
Application

- Agricultural
- Industrial
- Marine
- OEM

Features

- Carrying handle provided
- Compact, lightweight design
- Corrosion resistant
- Pumps down to a depth of 3/4"
- Quiet operation with gerotor motor
- Self-priming, can run dry without damage





OIL FLOW	SHUT OFF	40	80	120	160	200	240	280	320	360	400	MAX. HYD. OIL PRESS. REQ.
	0 GPM	GPM	GPM	GPM	GPM	GPM	GPM	GPM	GPM	GPM	GPM	
6 GPM	11 PSI	12 PSI	13 PSI	12 PSI	10 PSI	8 PSI						940 PSI
9 GPM	24 PSI	26 PSI	27 PSI	27 PSI	26 PSI	25 PSI	23 PSI	19 PSI	15 PSI			1920 PSI
11 GPM	37 PSI	38 PSI	40 PSI	42 PSI	42 PSI	38 PSI	37 PSI	33 PSI	27 PSI	23 PSI	16 PSI	2450 PSI

CN 7100-S

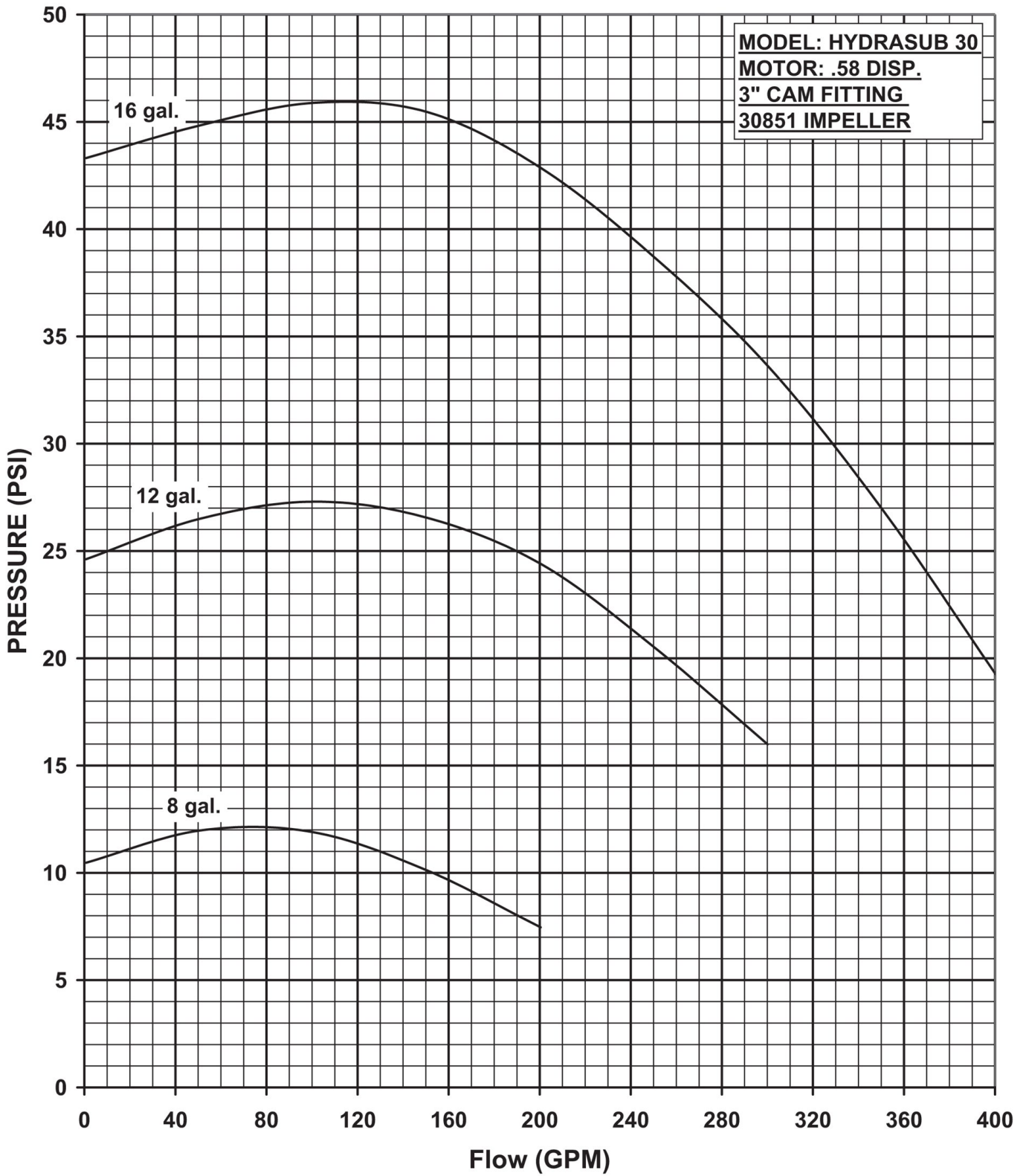


34800 BENNETT - FRASER, MI 48026-1686
 (586) 293-8240 - FAX (586) 293-8469
 (800) 563-8006 - www.mppumps.com

HYDRASUB 30

HYDRASUB 30

MODEL: HYDRASUB 30
MOTOR: .58 DISP.
3" CAM FITTING
30851 IMPELLER



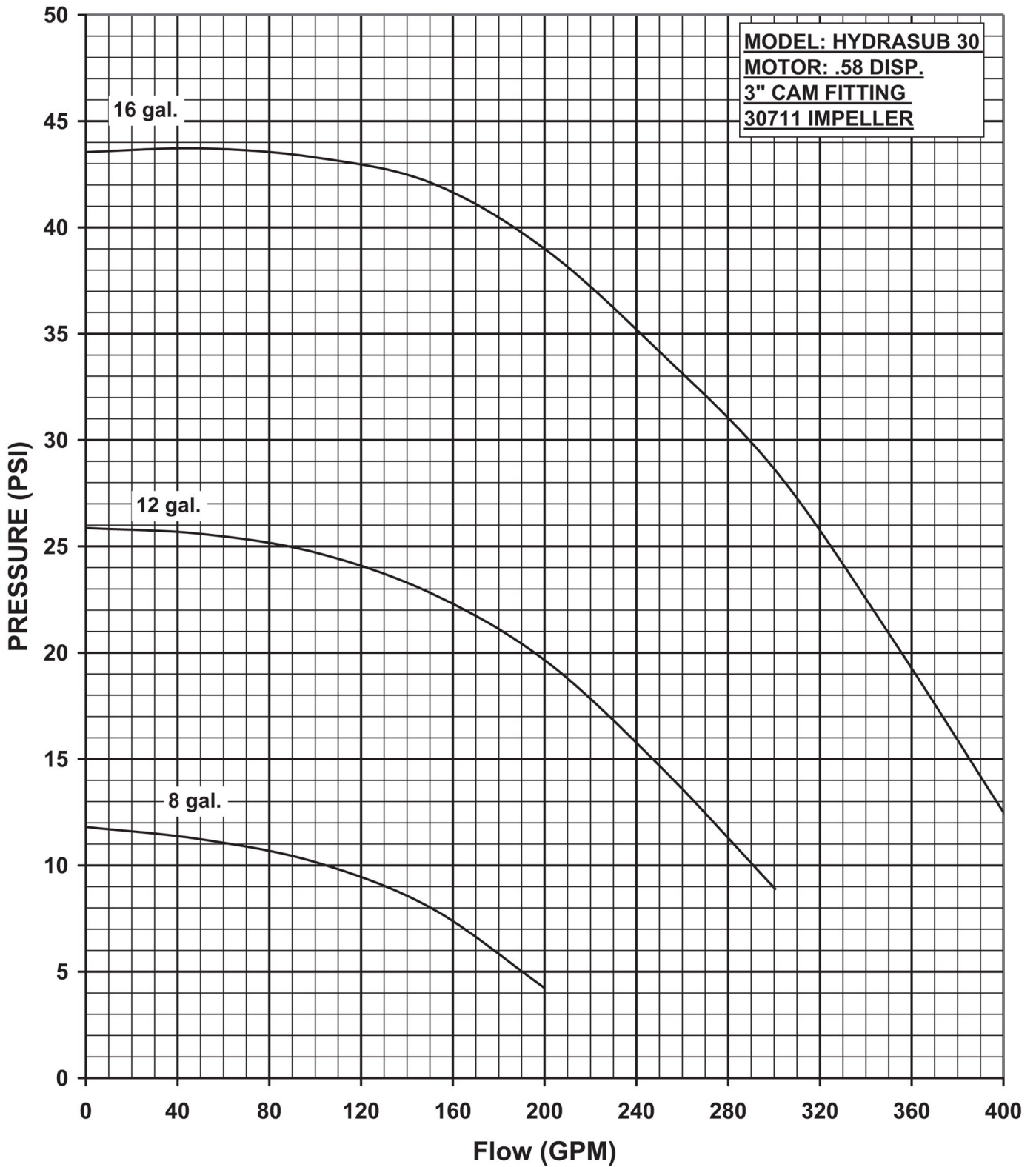
OIL FLOW	SHUT OFF 0 GPM	40 GPM	80 GPM	120 GPM	160 GPM	200 GPM	240 GPM	280 GPM	320 GPM	360 GPM	400 GPM	MAX. HYD. OIL PRESS. REQ.
8 GPM	10 PSI	12 PSI	12 PSI	11 PSI	10 PSI	12 PSI	18 PSI					800 PSI
12 GPM	25 PSI	26 PSI	27 PSI	27 PSI	26 PSI	24 PSI	21 PSI					1500 PSI
16 GPM	43 PSI	44 PSI	46 PSI	47 PSI	46 PSI	43 PSI	40 PSI	36 PSI	31 PSI	26 PSI	19 PSI	2200 PSI

CN 7118-S



34800 BENNETT - FRASER, MI 48026-1686
 (586) 293-8240 - FAX (586) 293-8469
 (800) 563-8006 - www.mppumps.com

HYDRASUB 30



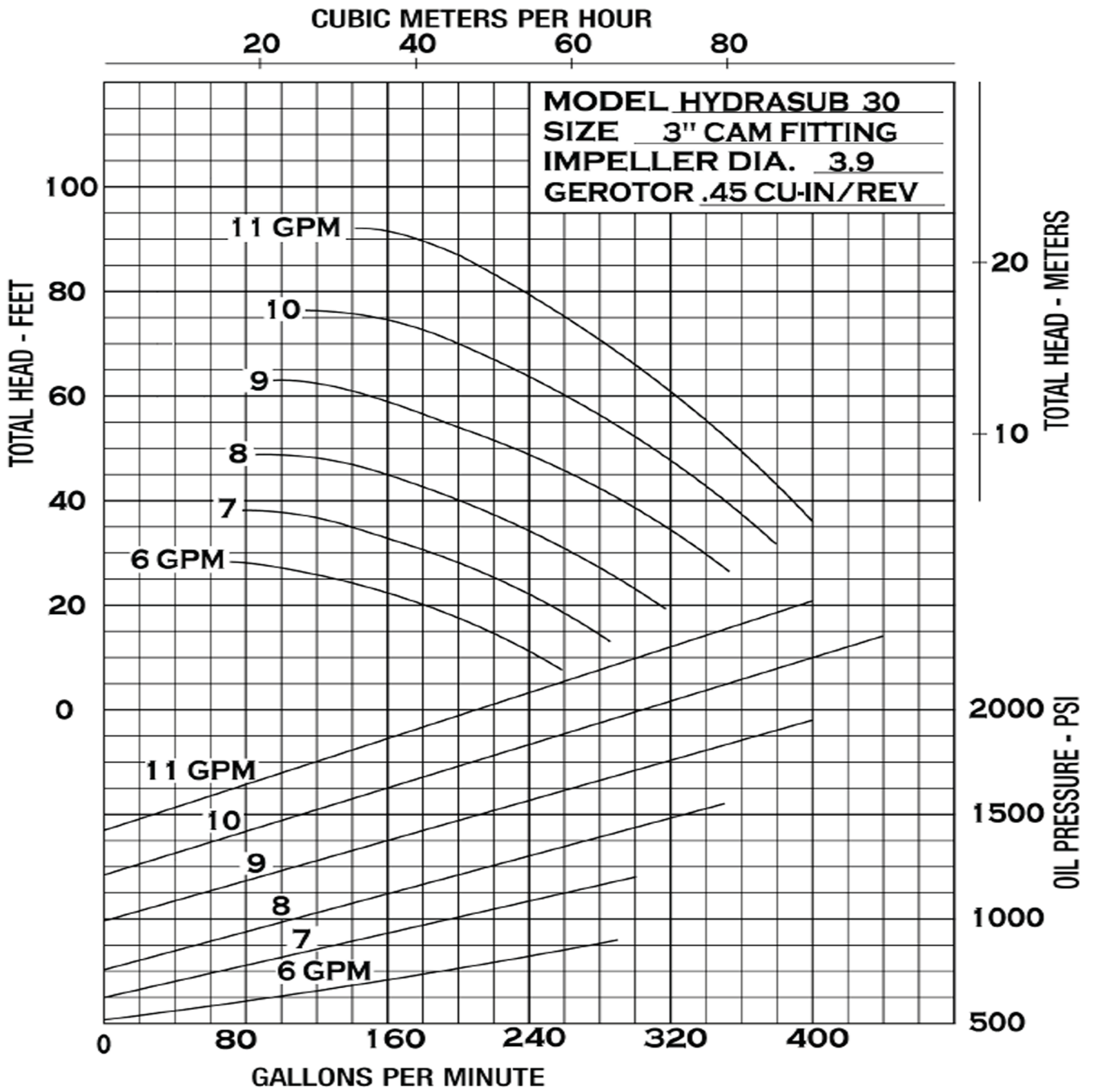
OIL FLOW	SHUT OFF	40	80	120	160	200	240	280	320	360	400	MAX. HYD. OIL PRESS. REQ.
	0 GPM	GPM	GPM	GPM	GPM	GPM	GPM	GPM	GPM	GPM	GPM	
8 GPM	12 PSI	11 PSI	11 PSI	9 PSI	7 PSI	4 PSI						650 PSI
12 GPM	26 PSI	26 PSI	25 PSI	24 PSI	22 PSI	20 PSI	16 PSI	11 PSI				1100 PSI
16 GPM	43 PSI	43 PSI	43 PSI	43 PSI	42 PSI	39 PSI	35 PSI	31 PSI	26 PSI	19 PSI	13 PSI	1700 PSI

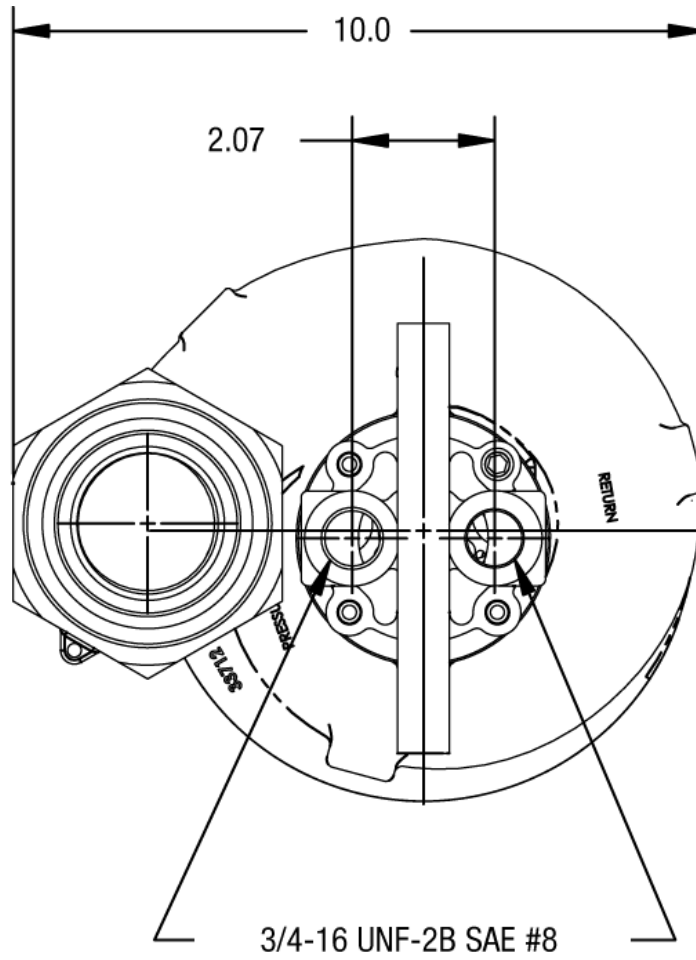
CN 7119-S



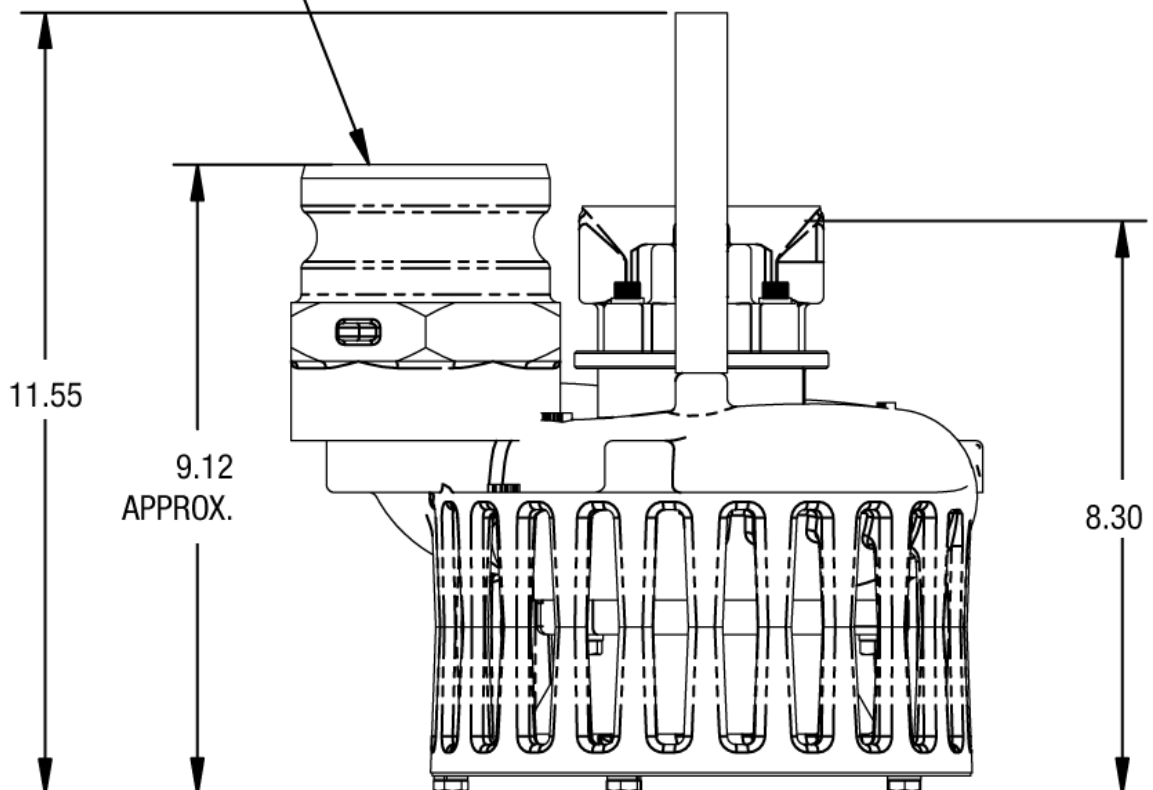
34800 BENNETT - FRASER, MI 48026-1686
 (586) 293-8240 - FAX (586) 293-8469
 (800) 563-8006 - www.mppumps.com

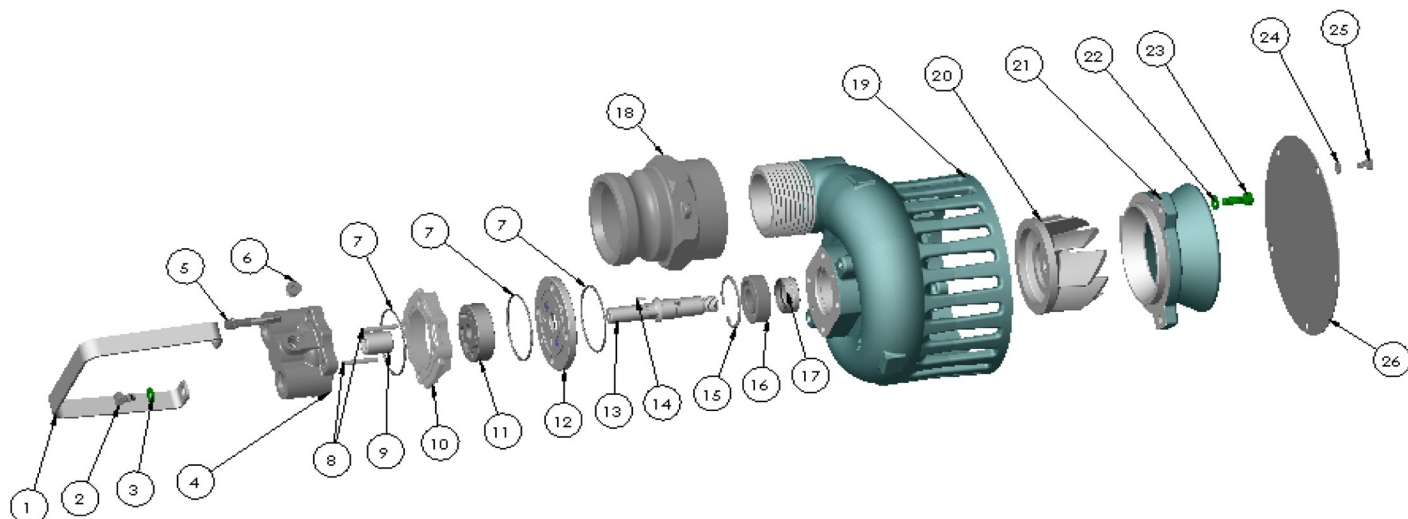
HYDRASUB 30





3" A-TYPE
CAM & GROOVE
COUPLING





ITEM NO.	PART NO.	DESCRIPTION	QTY.		ITEM NO.	PART NO.	DESCRIPTION	QTY.
1	33778	HANDLE STL.	1		14	29044	DOWEL PIN STL. 1/8 X 3/8 LG.	1
2	30320	HEX HEAD CAP SCREW S.S. 5/16-18 X 1/2	2		15	33742	SNAP RING STL.	1
3	21238	LOCK WASHER S.S. 5/16 X 1/8	2		16	27556	BALL BEARING	1
4	36316	HYDRAULIC MOTOR COVER	1	*	17	33718	LIP SEAL VITON	2
5	34030	12 POINT SCREW 5/16-24	4		18	35003	HOSE ADAPTER 3" NPT	1
6	35635	PORT PLUG 7/16-20 UNF SAE #4 W/ORING	1		19	33783	HOUSING HYDRASUB	1
7	34054	QUAD RING VITON	3		20	30851	IMPELLER S.S. 8 BLADE	1
8	36469	DOWEL PIN .19 X 1.38 LG.	2		21	33715	SUCTION FLANGE AL. HYDRASUB	1
9	29046	NEEDLE BEARING	1		22	21238	LOCKWASHER S.S. 5/16 X 1/8	3
10	35726	THRUST PLATE ASSY.	1		23	21242	HEX HEAD CAP SCREW S.S. 5/16-18 X 7/8	3
* 11	30354	GEROTOR ASSY. - .58 DISP.	1		24	33564	LOCK WASHER S.S. 1/4"	5
12	36326	SPACER C.I. - .58 DISP	1		25	30551	HEX HEAD CAPSCREW S.S. 1/4-20 X 3/8	5
* 13	33720	SHAFT STL. HYDRASUB	1		26	33716	COVER PLATE S.S.	1

*- RECOMMENDED REPLACEMENT PARTS