



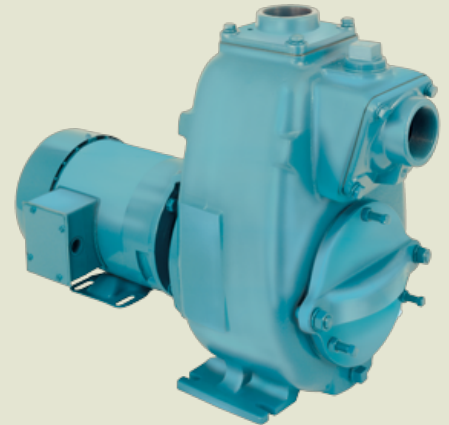
2CT

2" x 2" Self Priming Trash Pump

The 2CT pump quickly close couples to a 145TC or 184C frame motor. The 2CT features a back pull out design and a removable front trash cleanout for ease of maintenance. A 304SS drive sleeve protects the close coupled driver shaft. Available options include a bearing pedestal for base mounted pumps as well as a hydraulic motor drive pedestal.

SPECIFICATIONS:

Suction And Discharge	2" x 2" NPT
Materials Of Construction	Cast iron
Flow	Up to 225 GPM
Head Feet	Up to 125'
Impeller	5.82" ductile iron
Drive Options	Close coupled 145TC, Close coupled 184C, Pedestal, PumPAK® (without motor)
Seal	Standard - carbon / ceramic / Viton mechanical seal
Max Solid Size	1.5"



Application

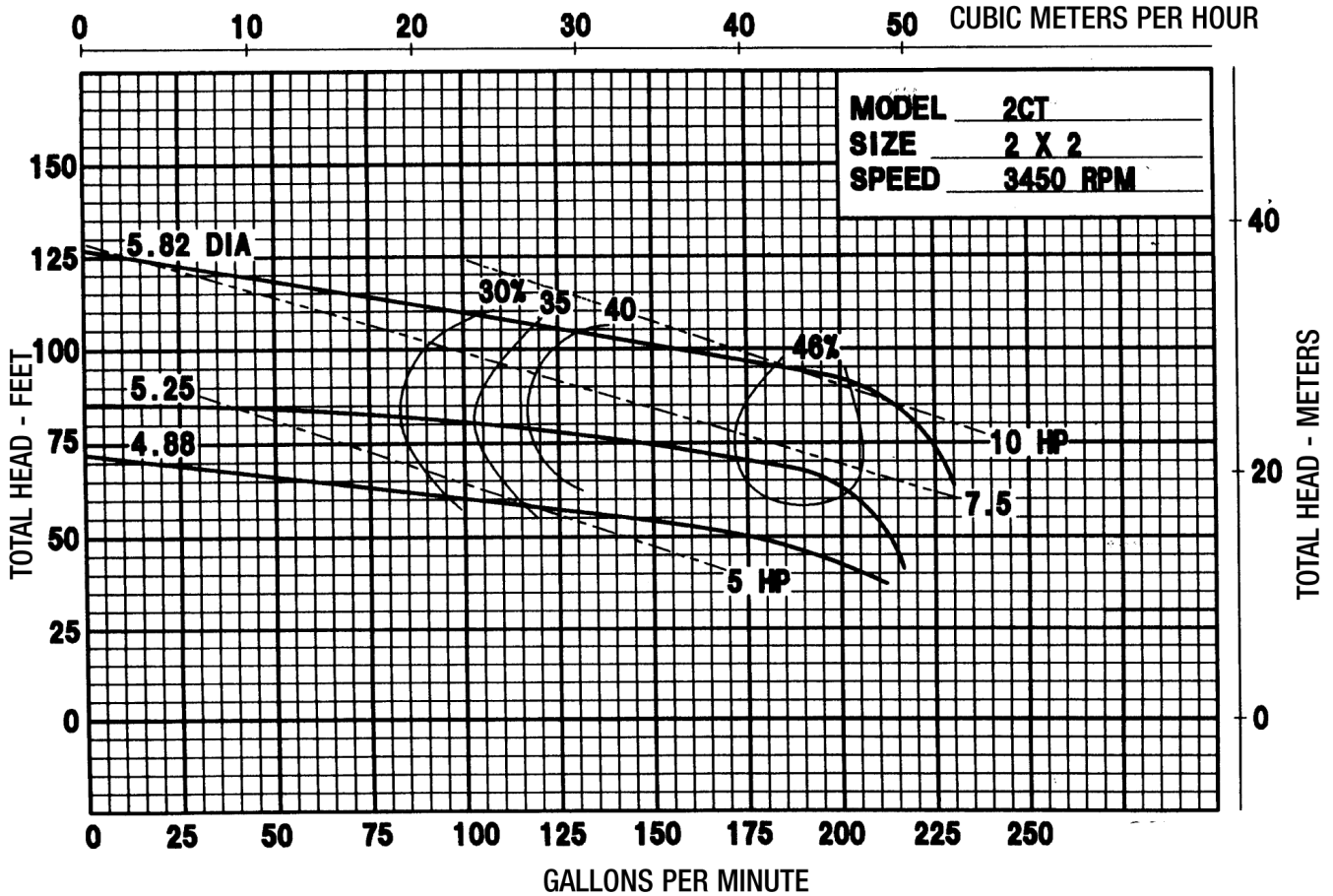
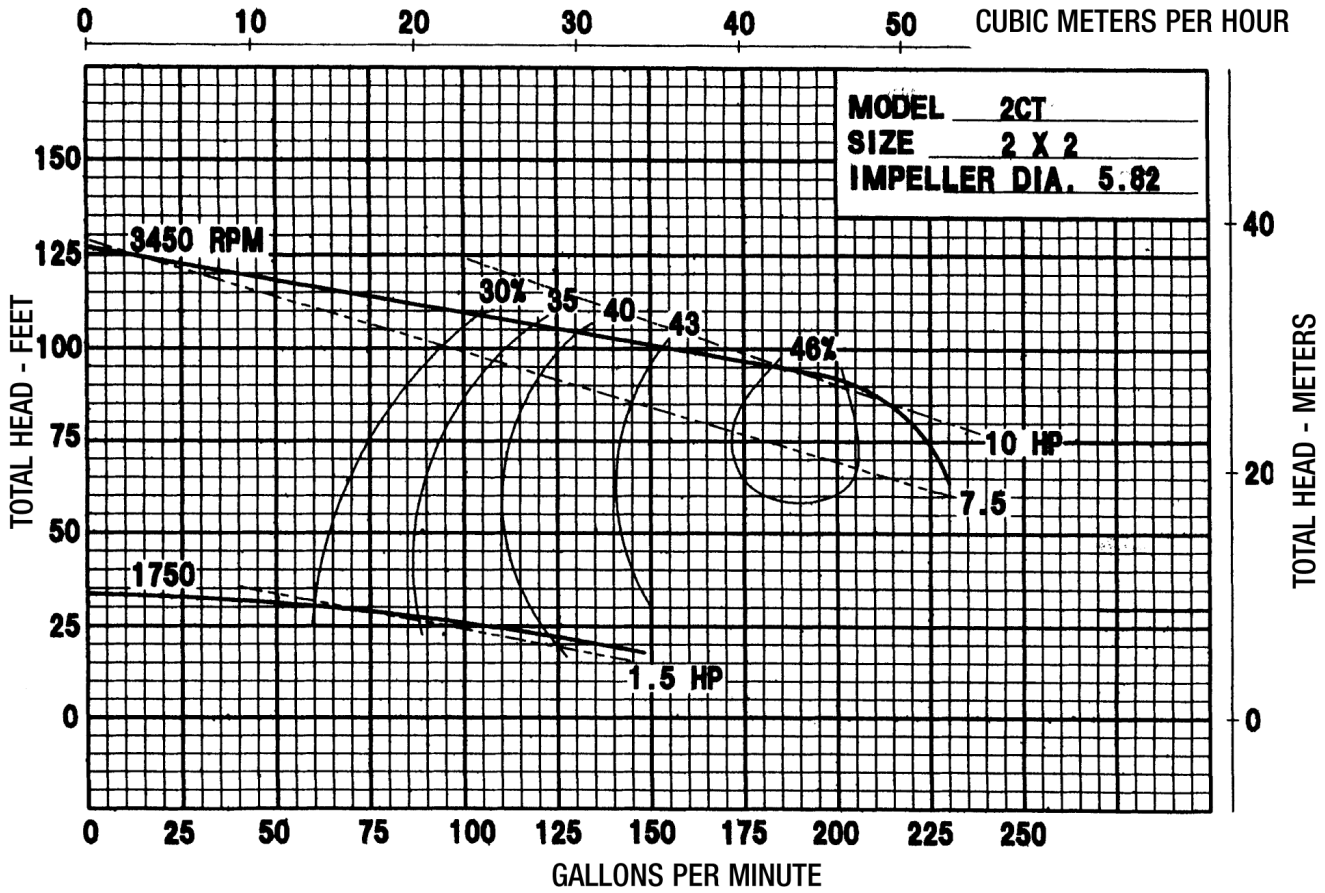
- Commercial
- Industrial
- OEM

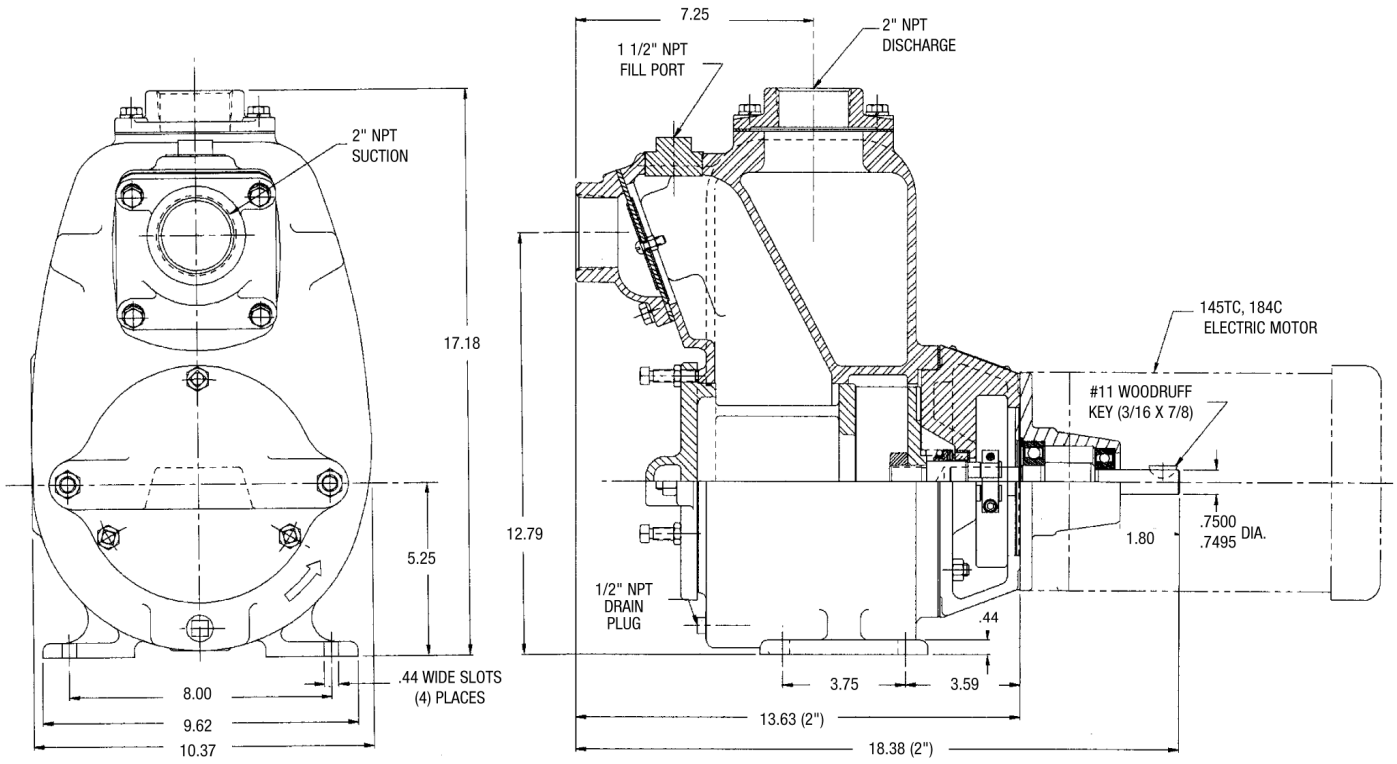
Drive Sleeve

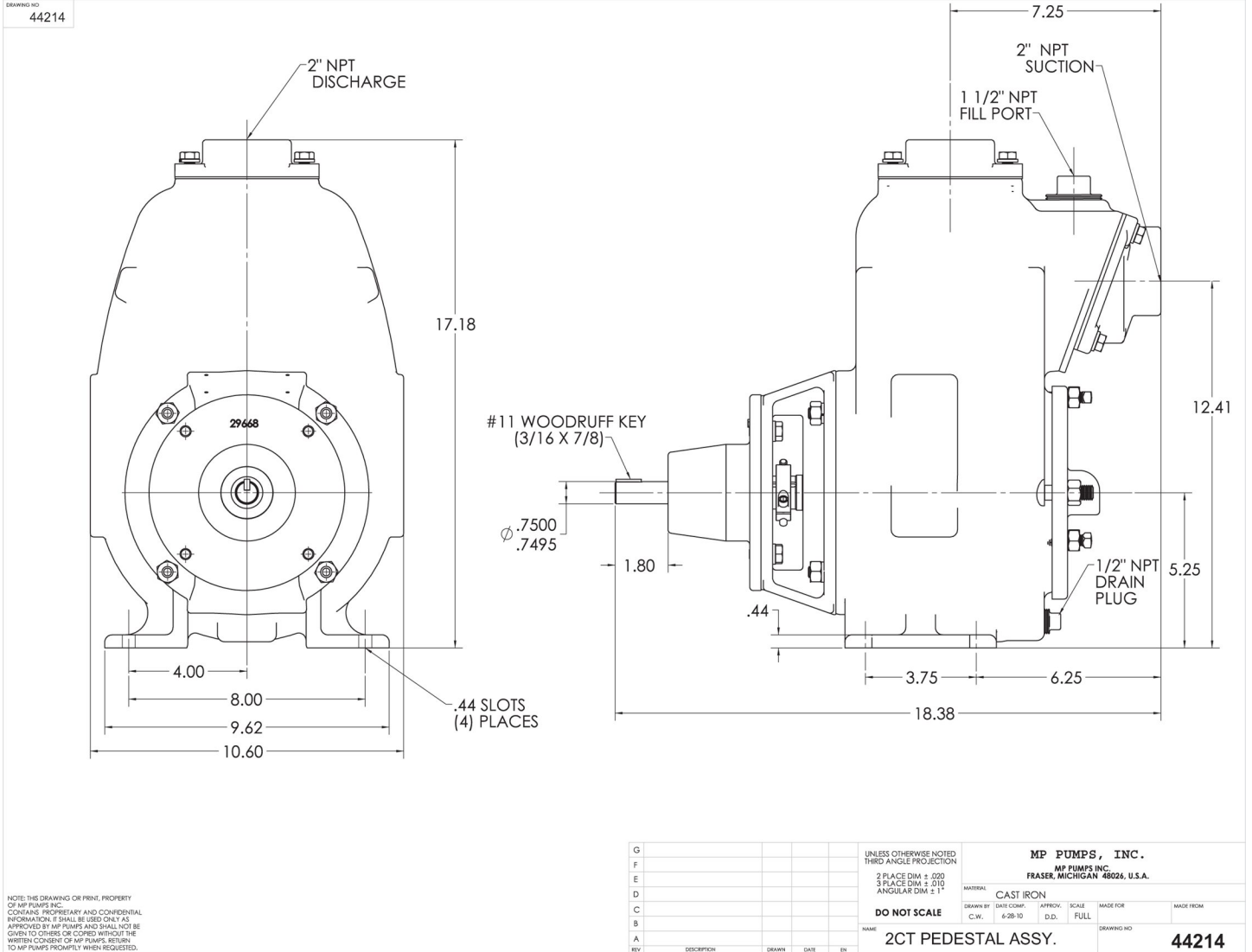
- 304 Stainless Steel

Features

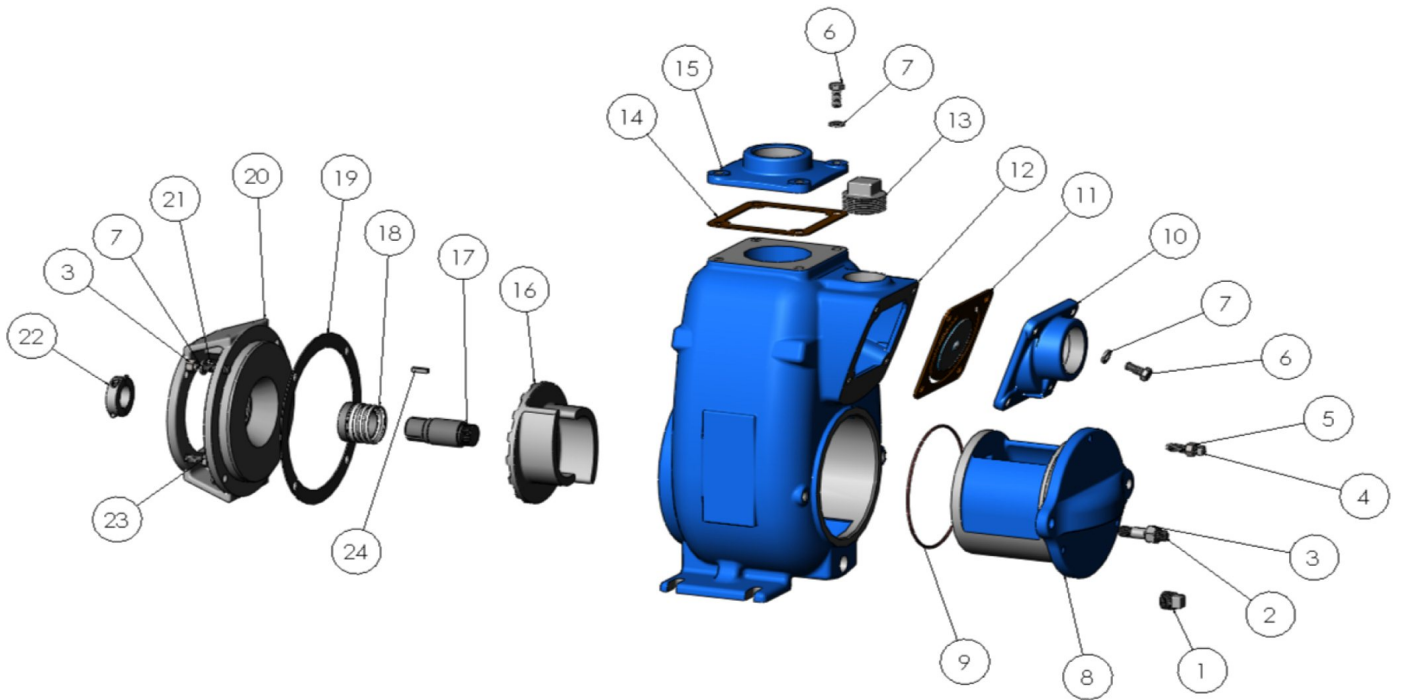
- Back pull out design
- Removeable trash cleanout
- Will pass up to 1.5" solids





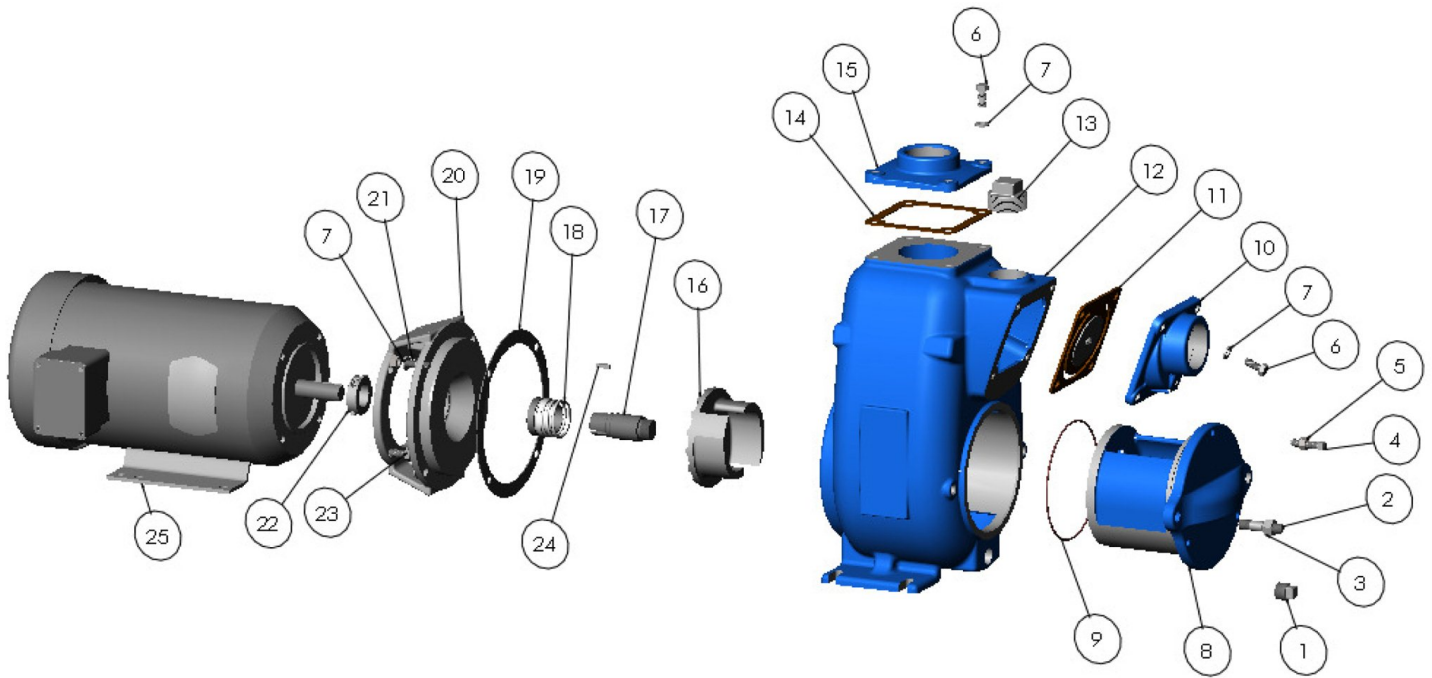


NOTE: THIS DRAWING OR PRINT, PROPERTY OF MP PUMPS, INC. CONTAINS PROPRIETARY AND CONFIDENTIAL INFORMATION. IT SHALL BE USED ONLY AS APPROVED BY MP PUMPS AND SHALL NOT BE GIVEN TO OTHERS OR COPIED WITHOUT THE WRITTEN CONSENT OF MP PUMPS. RETURN TO MP PUMPS PROMPTLY WHEN REQUESTED.



ITEM NO.	PART NO.	DESCRIPTION	QTY.		ITEM NO.	PART NO.	DESCRIPTION	QTY.
1	41479	PIPE PLUG- 1/2 NPT	1	*	14	22358	GASKET- BUNA	1
2	41449	STUD STL- 1/2-13 X 2.25	2		15	22372	FLANGE C.I. - DISCHARGE 2" NPT	1
3	41553	HEXNUT STL. - 1/2-13	2		16	40015	IMPELLER D - 5.82"	1
4	43926	SETSCREW STL. - 3/8--16	3		17	43907	DRIVE SLEEVE S.S.	1
5	21268	HEXNUT S.S. - 3/8-16	7		18	43906	SEAL ASY T-21- CCS/VITON	1
6	21251	CAPSCREW SS- 3/8-16 X 7/8	4	*	19	40815	GASKET - TANFIBER	1
7	21266	LOCKWASHER SS- 3/8	12	*	20	43910	ADAPTER C.I.	1
8	43905	CLEANOUT C.I.	1		21	21260	STUD SS- 3/8-16 X 1.32	4
* 9	41187	O-RING - BUNA	1		22	43908	CLAMP STL. - 7/8"	1
10	22369	FLANGE C.I. - SUCTION 2" NPT	1		23	21291	CAPSCREW S.S. - 1/2-13 X 1.13	8
* 11	23040	FLAPPER ASSEMBLY	1		24	21937	SQ. KEY STL. - 3/16 X 3/16 X 3/4	1
12	43903	VOLUTE C.I.	1					
13	41484	PIPE PLUG C.I. - 1 1/2" NPT	1					

* SUGGESTED REPLACEMENT PARTS



ITEM NO.	PART NO.	DESCRIPTION	QTY.		ITEM NO.	PART NO.	DESCRIPTION	QTY.
1	41479	PIPE PLUG- 1/2 NPT	1	*	14	22358	GASKET- BUNA	1
2	41449	STUD STL- 1/2-13 X 2.25	2		15	22372	FLANGE- DISCHARGE 2" NPT	1
3	41553	HEXNUT STL. - 1/2-13	2		16	44091	IMPELLER D - 4.88"	1
4	43926	SETSCREW STL. - 3/8--16	3		17	43907	DRIVE SLEEVE S.S.	1
5	21268	HEXNUT S.S. - 3/8-16	7	*	18	43906	SEAL ASY T-21- CCS/VITON	1
6	21251	CAPSCREW SS- 3/8-16 X 7/8	4	*	19	40815	GASKET - TANFIBER	1
7	21266	LOCKWASHER SS- 3/8	8		20	43910	ADAPTER C.I.	1
8	43905	CLEANOUT	1		21	21260	STUD SS- 3/8-16 X 1.32	4
* 9	41187	O-RING	1		22	43908	CLAMP STL. - 7/8"	1
10	22369	FLANGE- SUCTION 2" NPT	1		23	21291	CAPSCREW S.S. - 1/2-13 X 1.13	8
* 11	23040	FLAPPER ASSEMBLY	1		24	21937	SQ. KEY STL. - 3/16 X 3/16 X 3/4	1
12	43903	VOLUTE C.I.	1		25	24190	ELE. MOTOR - 184C 5HP, 3PH.	1
13	41484	PIPE PLUG C.I. - 1 1/2" NPT	1					

* SUGGESTED REPLACEMENT PARTS