



FLOWASH™ Pumps
for the Food Service Industry



www.mppumps.com

Introducing **FLOWASH™**

All **FLOWASH™** pumps are highly engineered and optimized using state of the art Computational Fluid Dynamics (CFD) software. This allows us to provide world class performance and efficiency. Non-clogging semi open stainless steel impellers are standard equipment on all **FLOWASH™** pumps for robust and reliable performance always. Let us show you how your warewash machines can benefit from MP Pumps new **FLOWASH™** pumps.



We provide **FLOWASH™** pumps for the following warewash products to the food service industry:

- Dishwashers, Flight
- Dishwashers, Single Tank
- Dishwashers, Under Counter
- Dishwashers, Glass Washers
- Washers, Pots Pans & Trays
- Booster Heater
- Cart & Rack Washers
- Disposal Systems, Shortening
- Doughnut Equipment
- Filtration Systems & Cooking
- Filters, Water
- Flatware Prewash
- Fryer Cleaners
- Fryers, Doughnuts
- Fryers, Open Counter tops
- Fryers, Open/Electric
- Fryers, Open/Gas
- Fryers, Pressure
- Glass Washers
- Grease Recovery Systems
- Rotisseries
- Pulpers

Table Of Contents

MP Pumps, Inc. Introduction	2
Glass Washer Applications	4
Under Counter Applications.....	5
Door Type Applications.....	6
Flight / Conveyor Applications	7
Pot Scrubber and Tray Applications.....	10
Waste Handling Applications	11



Research and Development

A strong research and development program is fundamental to innovation. At MP Pumps, Inc., our innovative muscle derives from a highly trained and experienced research staff backed by a fully equipped laboratory for conducting rigorous performance and endurance testing.



Engineering

MP Pumps, Inc. brings more than a half century of experience in the design and manufacture of centrifugal pumps to each new project. Through experience, we can quickly identify and focus on the critical aspects of every design project and develop an approach to satisfy the most demanding performance requirements.

Our engineers use state-of-the-art solid modeling software, designed for manufacturing techniques and fast prototype capability, to move rapidly from initial concept to first production.



Quality Control

At MP Pumps, Inc., quality is designed into every component and every pump we build. From concept through development and on into production, our focus is to provide durable and reliable products that satisfy every customer requirement.

Our emphasis on quality is recognized by international standards agencies. Milestones include:

- **American Bureau of Shipping (ABS) Certification for select models**
- **ISO 9001-2008 Certification**
- **ISO 14001**

Innovation

All Flowwash pumps are highly engineered and optimized using Computational Fluid Dynamics (CFD). This allows us to provide maximum performance and efficiency. Semi open stainless steel impellers are standard equipment on all Flowwash pumps for robust and reliable performance always.



Manufacturing

Advanced technology is central to our manufacturing operations. Using state-of-the-art equipment and methods translates into speed, uniformity and consistent high quality.

But our people are what make the difference. Each operator is highly trained on their respective piece of equipment to insure nothing but the highest quality for our customers.



Customer Service

As we look to what's next for MP Pumps, Inc., we will continue to build on what we do best. When you buy from us, you will receive a high quality product that is strongly supported by all of our people. Because, ***we don't go with the flow, we create it.***

FLOWASH™ FRX Centrifugal Pump Features

- Construction: 316 SS or Polypropylene 40% Glass Filled
- 316 SS impellers - semi open, non clogging
- Mechanical seals: carbon/ceramic/Viton
- Close coupled to electric motors
- Pressures: up to 85 feet head
- Flows: up to 75 GPM

Model	Suction	Discharge	Max TDH (ft)	Max Flow (GPM)	HP
FRX 50	½" NPT/1" Hose	½" NPT/1" Hose	16	12	1/10
FRX 75	¾" NPT	¾" NPT	28	25	1/6
FRX 75 H	1" Hose	1" Hose	28	25	1/6
FRX 75 P	1" Hose	1" Hose	28	25	1/6
FRX 100	1" NPT	1" NPT	54	40	1
FRX 125	1¼" NPT	1¼" NPT	85	75	1½

FRX 50



FRX 75



FRX 75 H



FRX 75 P



FRX 100



FRX 125



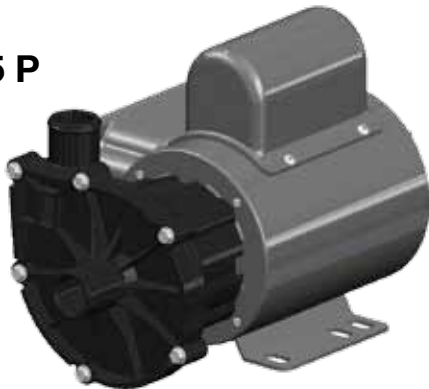


FLOWASH™ Centrifugal Pump Features

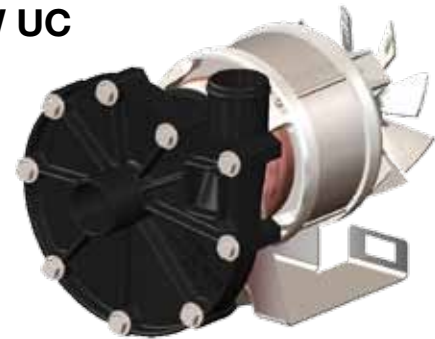
- Construction: 304 SS or Polypropylene 40% Glass Filled
- 304 SS impellers - semi open, non clogging
- Mechanical seals: carbon/ceramic/Viton
- Close coupled to electric motors
- Pressures: up to 50 feet head
- Flows: up to 75 GPM

Model	Suction	Discharge	Max TDH (ft)	Max Flow (GPM)	HP
FRX 75 P	1" Hose	1" Hose	28	25	1/6
FW UC	1½" Hose	1½" Hose	45	75	¾
FW 75 P	1¼" Hose	1¼" Hose	50	70	¾
FW 75	1¼" Hose	1¼" Hose	50	70	¾

FRX 75 P



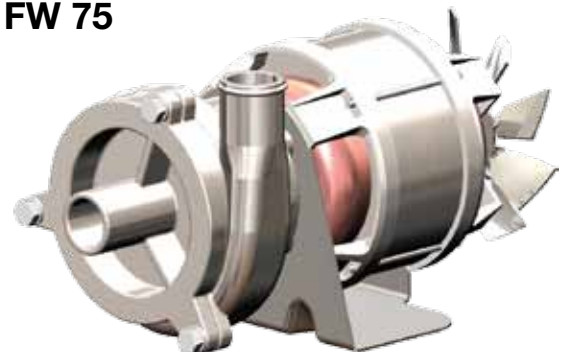
FW UC



FW 75 P



FW 75



FLOWASH™ Centrifugal Pump Features

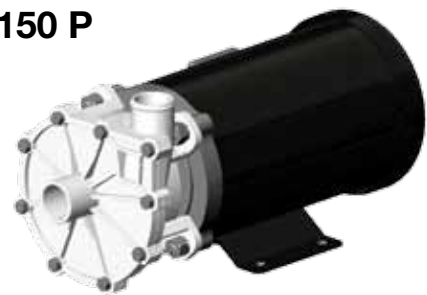
- Construction: 304 SS or Polypropylene 40% Glass Filled
- 304 SS impellers - semi open, non clogging
- Mechanical seals: carbon/ceramic/Viton
- Close coupled to electric motors
- Pressures: up to 58 feet head
- Flows: up to 225 GPM

Model	Suction	Discharge	Max TDH (ft)	Max Flow (GPM)	HP
FW 150	1½" Hose	1½" Hose	45	110	1-1½
FW 150 P	1½" Hose	1½" Hose	45	110	1-1½
FW 225	2" Hose	2" Hose	45	210	2
FW 225 P	2" Hose	2" Hose	45	210	2
FW 2520 L	2½" Hose	2" Hose	58	225	2

FW 150



FW 150 P



FW 2520 L



FW 225



FW 225 P





FLOWASH™ Rinse Pump Features

- Construction: 316 SS or Polypropylene 40% Glass Filled
- 316 SS impellers - semi open, non clogging
- Mechanical seals: carbon/ceramic/Viton
- Close coupled to electric motors
- Pressures: up to 28 feet head
- Flows: up to 25 GPM

Model	Suction	Discharge	Max TDH (ft)	Max Flow (GPM)	HP
FRX 50	1/2" NPT/1" Hose	1/2" NPT/1" Hose	16	12	1/10
FRX 75	3/4" NPT	3/4" NPT	28	25	1/6
FRX 75 H	1" Hose	1" Hose	28	25	1/6
FRX 75 P	1" Hose	1" Hose	28	25	1/6

FRX 50



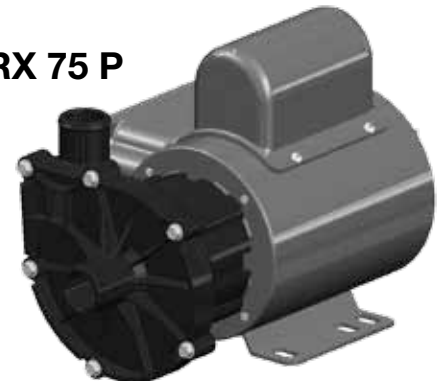
FRX 75



FRX 75 H



FRX 75 P



FLOWASH™ Pre-Wash Pump Features

- Construction: 304 SS or Polypropylene 40% Glass Filled
- 304 SS impellers - semi open, non clogging
- Mechanical seals: carbon/ceramic/Viton
- Close coupled to electric motors
- Pressures: up to 50 feet head
- Flows: up to 110 GPM

Model	Suction	Discharge	Max TDH (ft)	Max Flow (GPM)	HP
FW 75	1¼" Hose	1¼" Hose	50	70	¾
FW 75 P	1¼" Hose	1¼" Hose	50	70	¾
FW 150	1½" Hose	1½" Hose	45	110	1-1½
FW 150 P	1½" Hose	1½" Hose	45	110	1-1½

FW 75



FW 75 P



FW 150



FW 150 P





FLOWASH™ Wash Pump Features

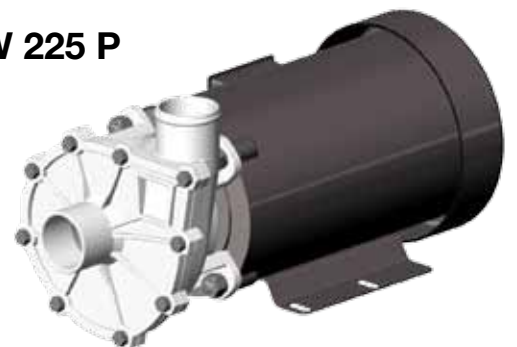
- Construction: 304 SS or Polypropylene 40% Glass Filled
- 304 SS impellers - semi open, non clogging
- Mechanical seals: carbon/ceramic/Viton
- Close coupled to electric motors
- Pressures: up to 58 feet head
- Flows: up to 310 GPM

Model	Suction	Discharge	Max TDH (ft)	Max Flow (GPM)	HP
FW 225	2" Hose	2" Hose	45	210	2
FW 225 P	2" Hose	2" Hose	45	210	2
FW 2520 L	2½" Hose	2" Hose	58	225	2
FW 300	2½" Hose	2½" Hose	45	310	3-5

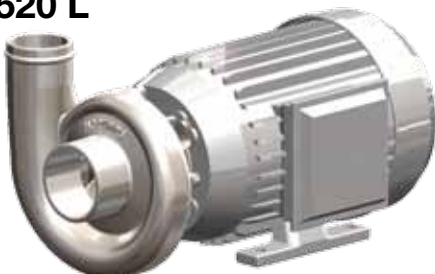
FW 225



FW 225 P



FW 2520 L



FW 300



FLOWASH™ Centrifugal Pump Features

- Construction: 304 SS or Polypropylene 40% Glass Filled
- 304 SS impellers - semi open, non clogging
- Mechanical seals: carbon/ceramic/Viton
- Close coupled to electric motors
- Pressures: up to 58 feet head
- Flows: up to 310 GPM

Model	Suction	Discharge	Max TDH (ft)	Max Flow (GPM)	HP
FW 2520 L	2½" Hose	2" Hose	58	225	2
FW 300	2½" Hose	2½" Hose	45	310	3-5
FW SLS	3" Hose	3" Hose	40	280	2
FW SMF	3½" Flange	3" Hose	25	280	2

FW 2520 L



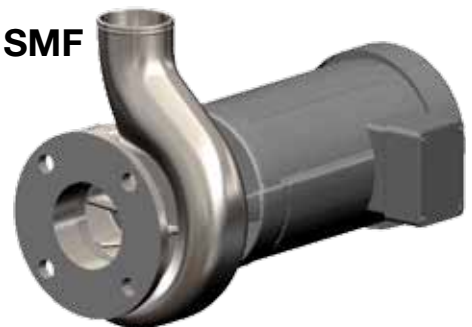
FW 300



FW SLS



FW SMF





FLOWASH™ Centrifugal Pump Features

- Construction: 304 SS or Bronze
- 304 SS or bronze impellers - semi open, non clogging
- Mechanical seals: carbon/ceramic/Viton
- Close coupled to electric motors
- Pressures: up to 105 feet head
- Flows: up to 300 GPM

Model	Suction	Discharge	Max TDH (ft)	Max Flow (GPM)	HP
FW PULP	2½" NPT	2" NPT	85	75	1½
FW S130	2" NPT	1½" NPT	58	160	3
FW S200	2½" NPT	2" NPT	105	300	7½

FW S130



FW S200



FW PULP



FLOWASH™ Pumps

We don't just go with the flow, we create it!™

For more information on MP Pumps, Inc. and our products, visit www.mppumps.com.



34800 BENNETT • FRASER, MI 48026-1686
(586) 293-8240 • FAX (586) 293-8469
(800) 563-8006 • www.mppumps.com