



SERIES 60 HYDRAULIC

1-1/4" x 1" End Suction Centrifugal Pump

SERIES 60 Hydraulic end suction centrifugal pumps are offered with .22, .37, .45, or .58 cubic inch displacement gerotor motors for hydraulic flows up to 16 GPM and a maximum pressure of 2500 PSI.

SERIES 60 end suction centrifugal pumps are available in cast iron or bronze construction to suit a wide variety of liquids.

All fasteners are stainless steel to reduce corrosion. Impellers are dynamically balanced to improve efficiency and bearing life.

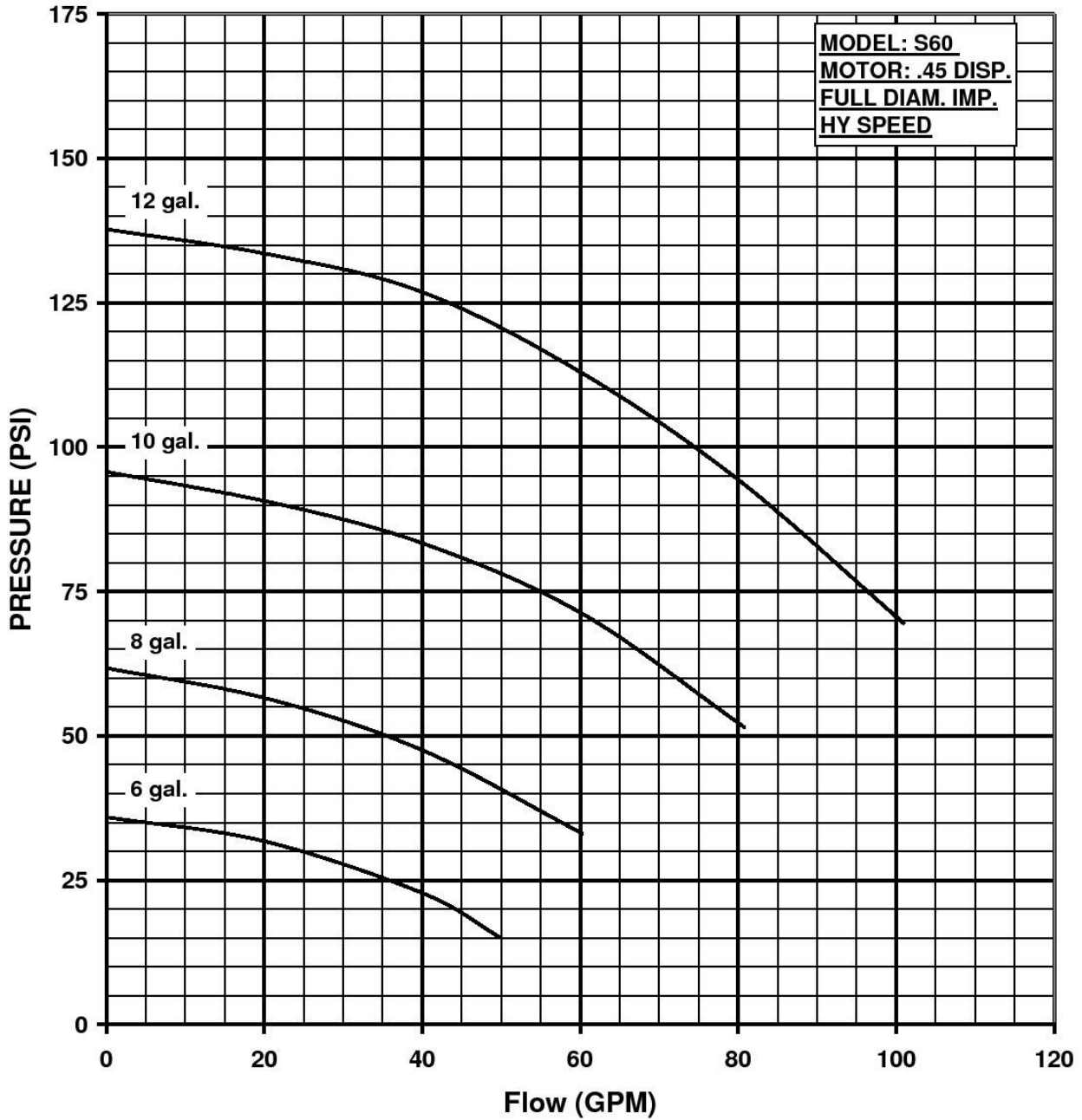
Standard carbon / ceramic / Viton mechanical seal is self-adjusting and corrosion resistant to handle almost any liquid.

Application

- Agricultural
- Industrial
- Marine
- OEM

SPECIFICATIONS:

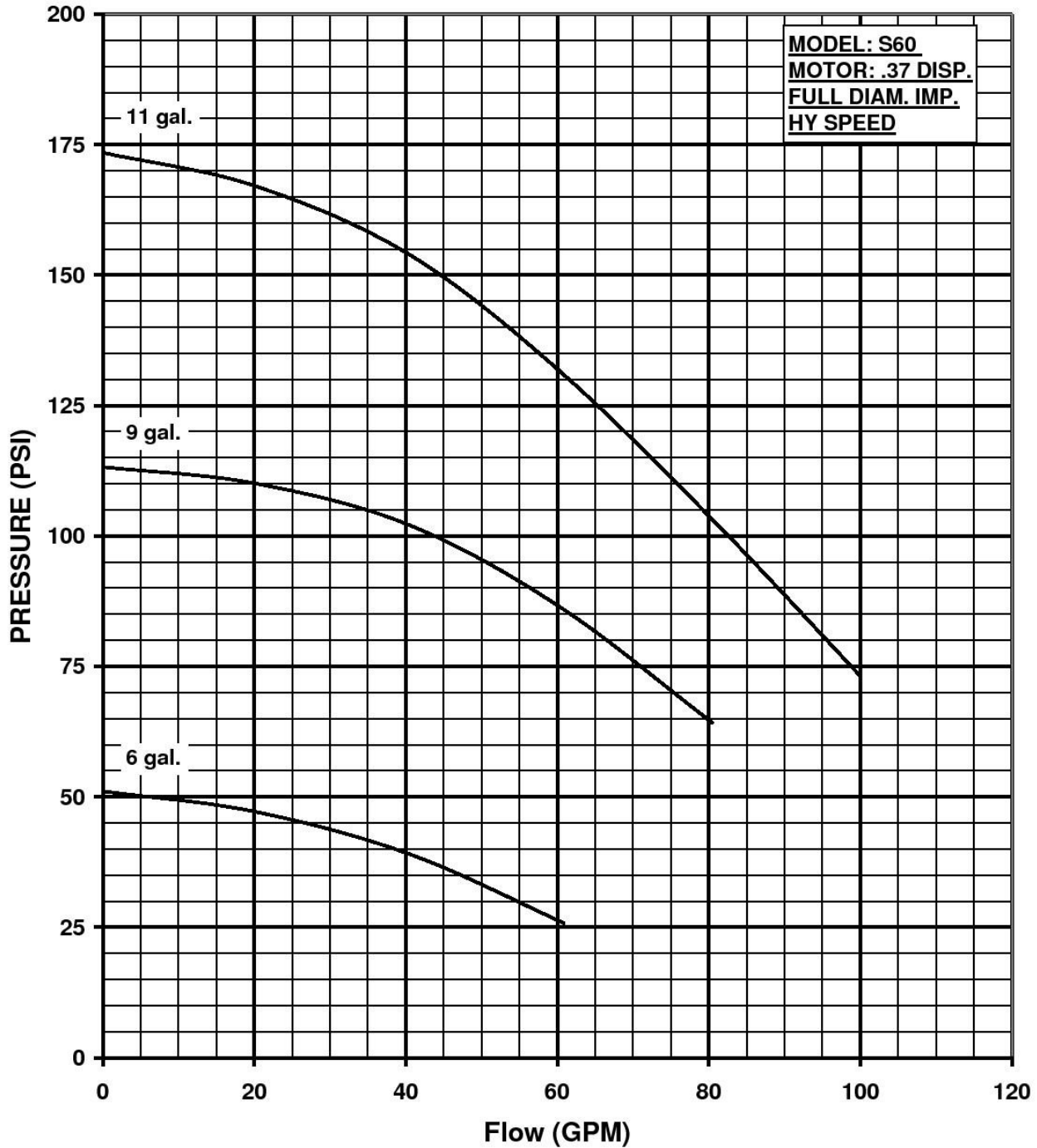
Suction And Discharge	1-1/4" x 1" NPT
Materials Of Construction	Bronze, Cast iron
Flow	Up to 100 GPM
Head Feet	Up to 400'
Impeller	5.5" enclosed, cast iron
Motor	Gerotor
Drive Options	Hydraulic motor .22 cu. in, Hydraulic motor .37 cu. in., Hydraulic motor .45 cu. in., Hydraulic motor .58 cu. in.
Seal	Standard carbon / ceramic / Viton
Psi	Up to 173
Hydraulic Fluid Flow	Up to 16 GPM
Options	Hydraulic motors with flow controls
Max Solid Size	.11"
Hydraulic System Pressure	Up to 2500 PSI



OIL FLOW	SHUT OFF	10	20	30	40	50	60	70	80	90	100	MAX. HYD.
	0 GPM	GPM	GPM	GPM	GPM	GPM	GPM	GPM	GPM	GPM	GPM	OIL PRESS.REQ.
6 GPM	36 PSI	34 PSI	32 PSI	27 PSI	23 PSI	15 PSI	-	-	-	-	-	650 PSI
8 GPM	62 PSI	59 PSI	57 PSI	53 PSI	48 PSI	41 PSI	33 PSI	-	-	-	-	950 PSI
10 GPM	96 PSI	93 PSI	91 PSI	87 PSI	83 PSI	78 PSI	72 PSI	62 PSI	52 PSI	-	-	1400 PSI
12 GPM	137 PSI	136 PSI	133 PSI	131 PSI	127 PSI	121 PSI	113 PSI	104 PSI	94 PSI	83 PSI	70 PSI	1800 PSI

CN 7101-S

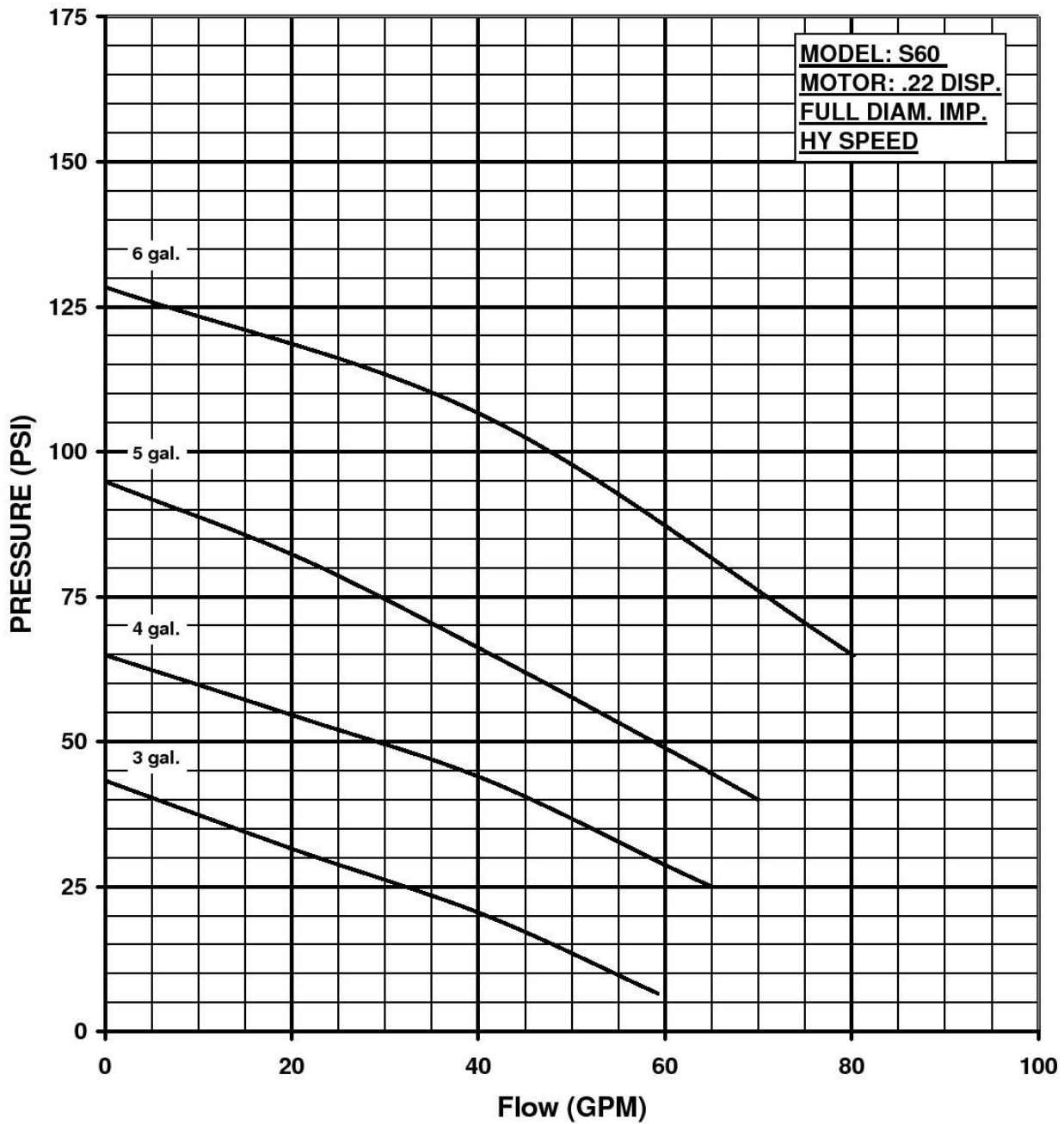




OIL FLOW	SHUT OFF 0 GPM	10 GPM	20 GPM	30 GPM	40 GPM	50 GPM	60 GPM	70 GPM	80 GPM	90 GPM	100 GPM	MAX. HYD. OIL PRESS.REQ.
6 GPM	51 PSI	49 PSI	47 PSI	44 PSI	39 PSI	33 PSI	26 PSI	-	-	-	-	950 PSI
9 GPM	113 PSI	112 PSI	110 PSI	106 PSI	102 PSI	96 PSI	87 PSI	76 PSI	65 PSI	-	-	1800 PSI
11 GPM	174 PSI	171 PSI	167 PSI	161 PSI	154 PSI	144 PSI	132 PSI	118 PSI	104 PSI	98 PSI	68 PSI	2300 PSI

CN 7102-S

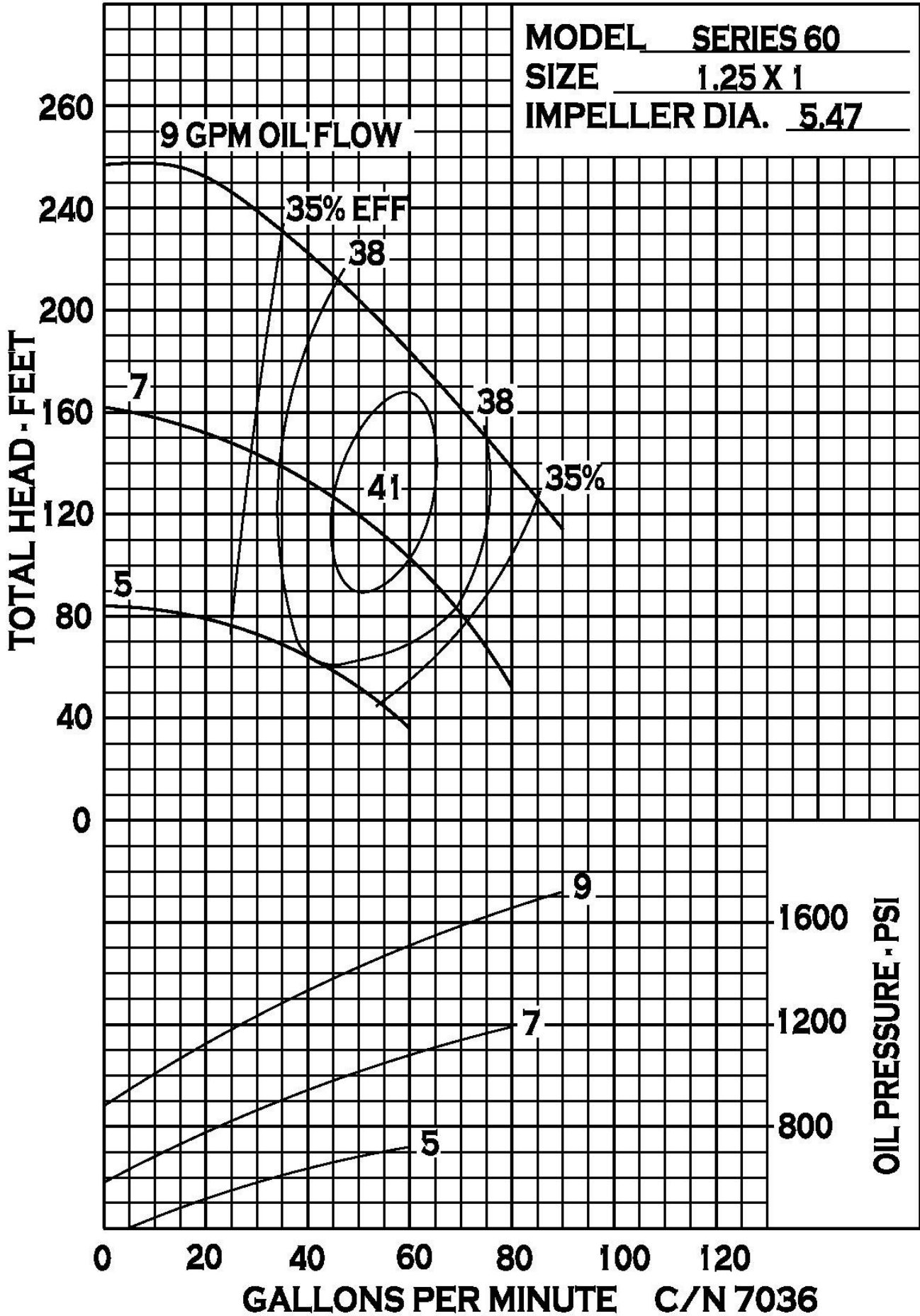


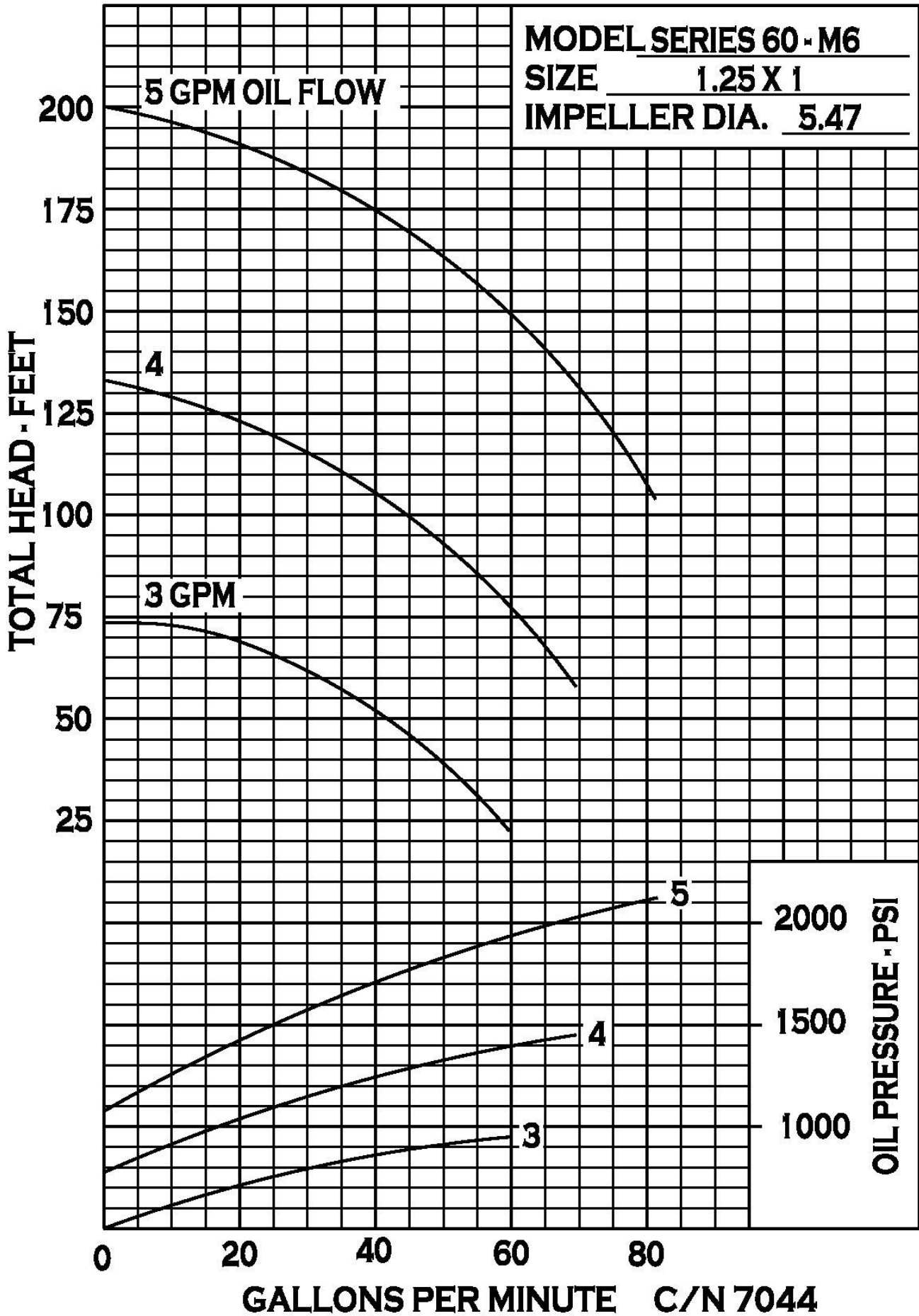


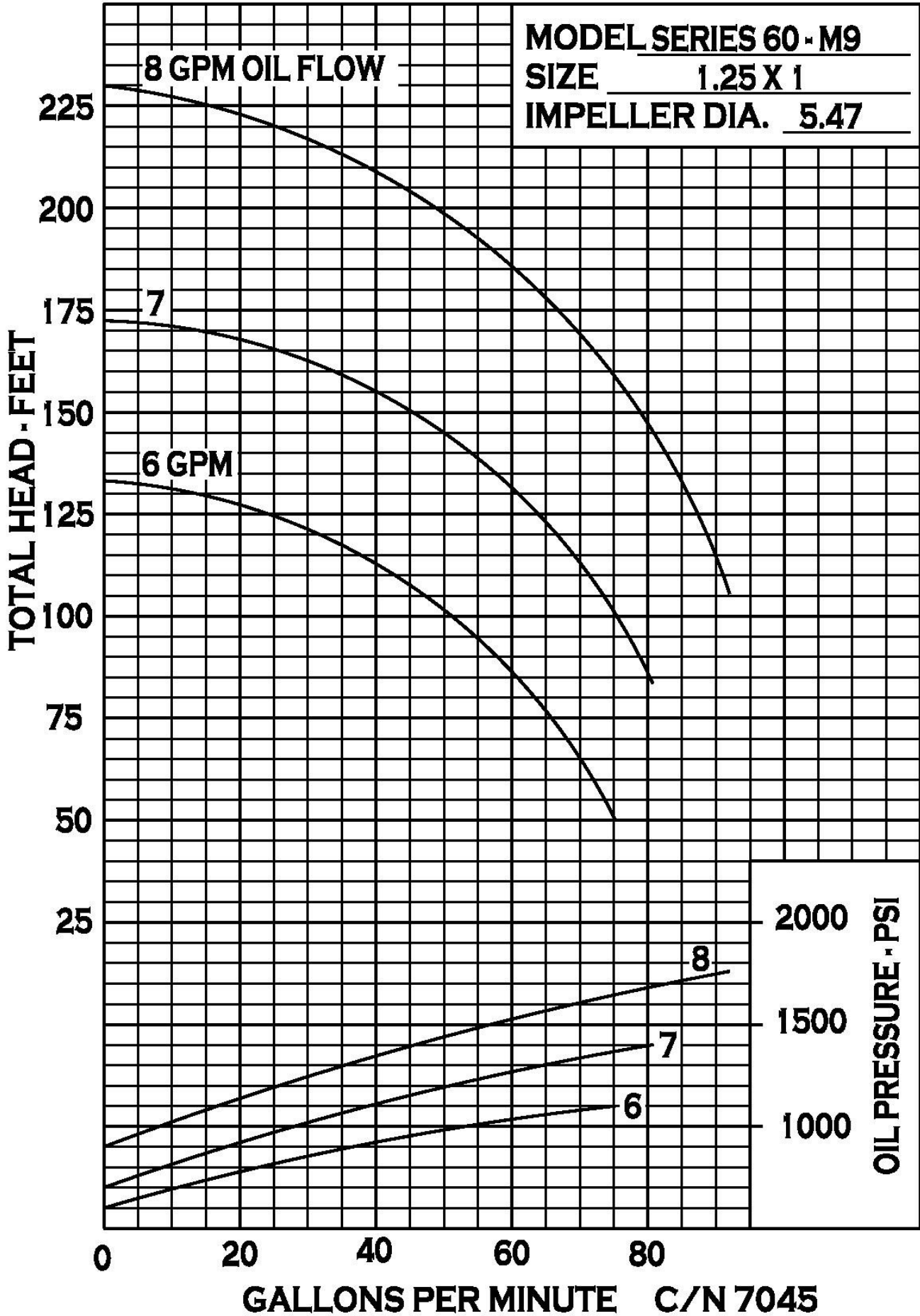
OIL FLOW	SHUT OFF 0 GPM	10 GPM	20 GPM	30 GPM	40 GPM	50 GPM	60 GPM	70 GPM	80 GPM	MAX. HYD. OIL PRESS.REQ.
3 GPM	43 PSI	37 PSI	31 PSI	26 PSI	20 PSI	13 PSI	-	-	-	1500 PSI
4 GPM	65 PSI	60 PSI	55 PSI	50 PSI	44 PSI	36 PSI	28 PSI	-	-	1800 PSI
5 GPM	95 PSI	89 PSI	82 PSI	75 PSI	66 PSI	57 PSI	49 PSI	40 PSI	-	2200 PSI
6 GPM	129 PSI	123 PSI	118 PSI	113 PSI	106 PSI	97 PSI	87 PSI	75 PSI	65 PSI	2500 PSI

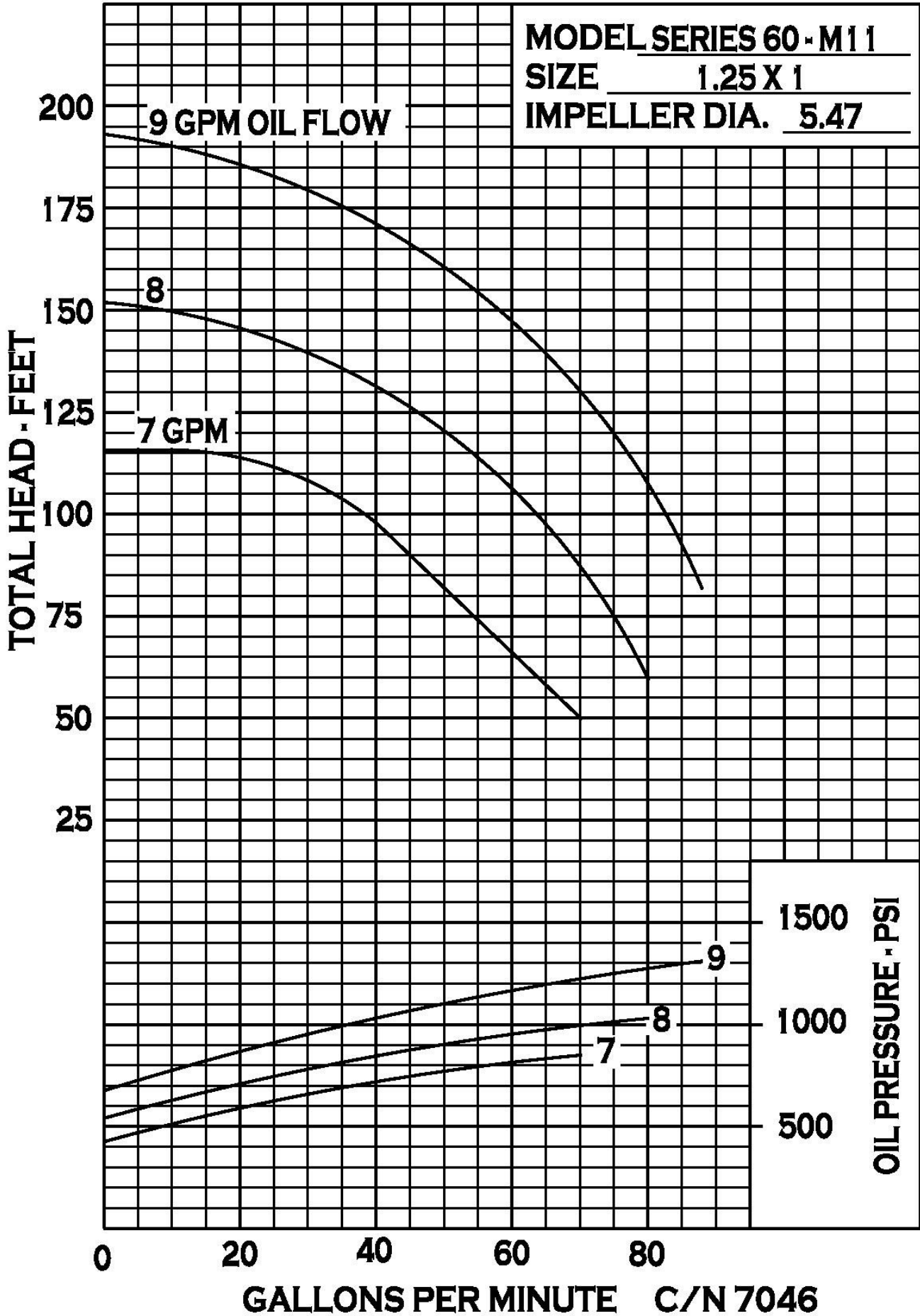
CN 7121-S

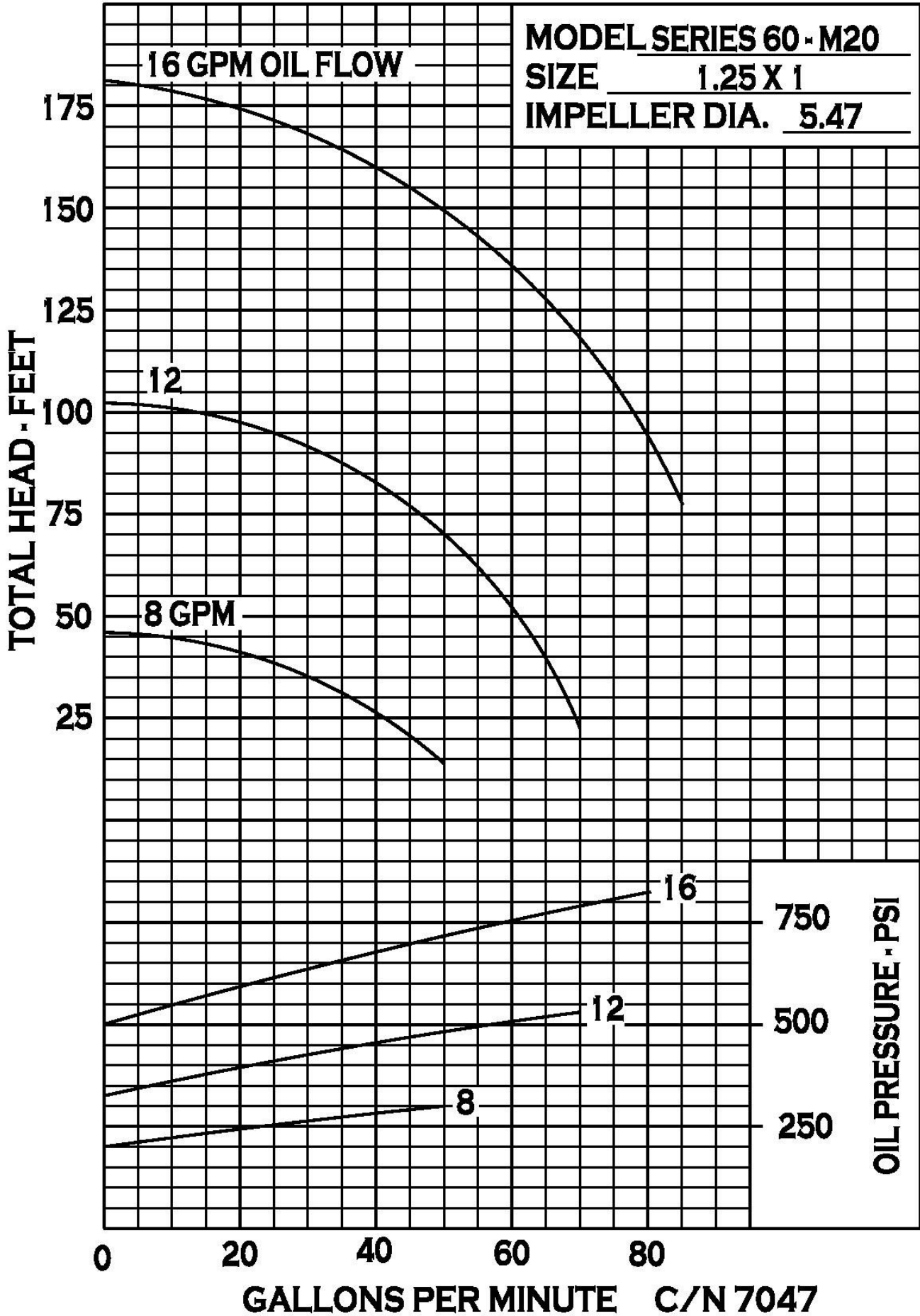


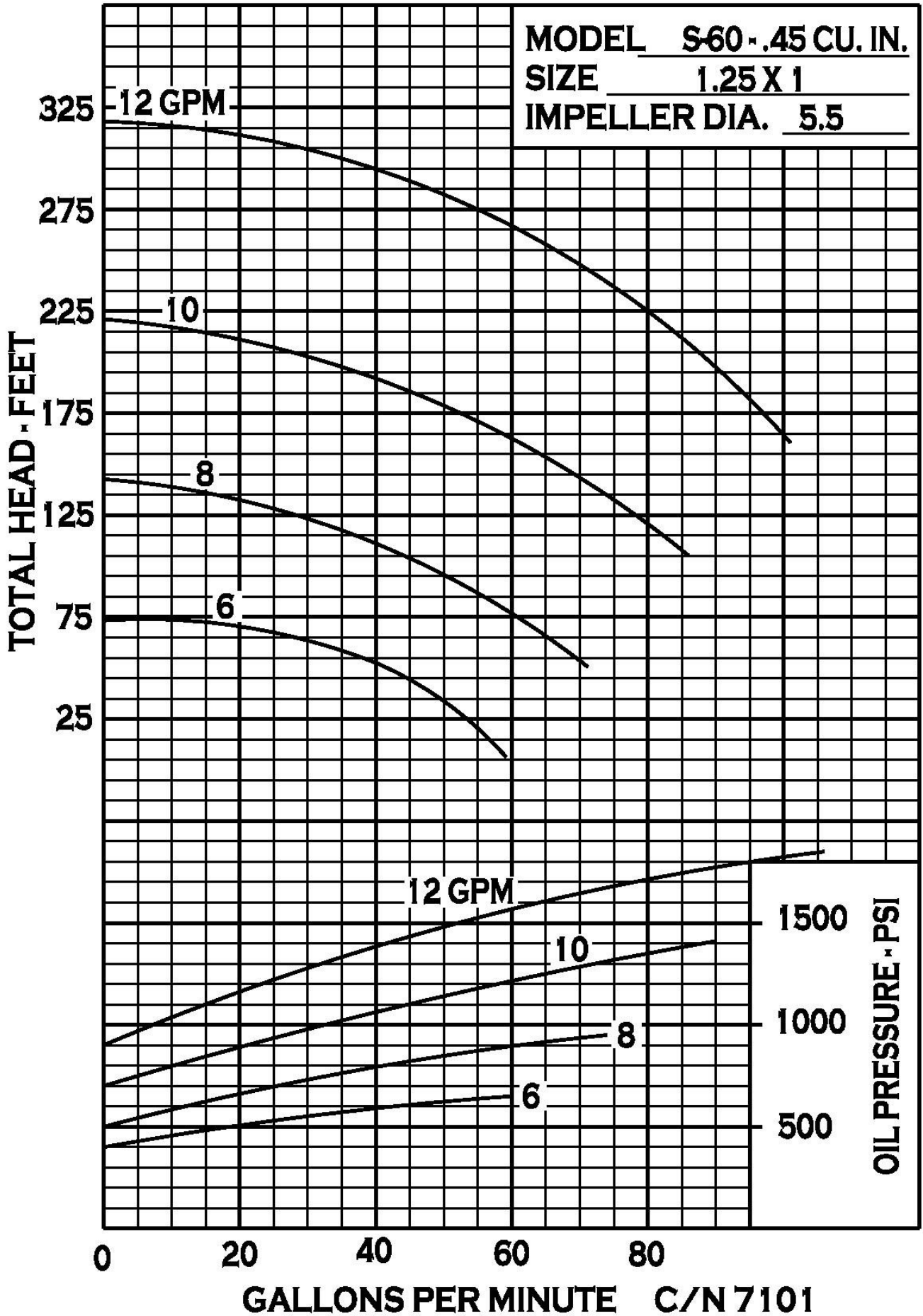


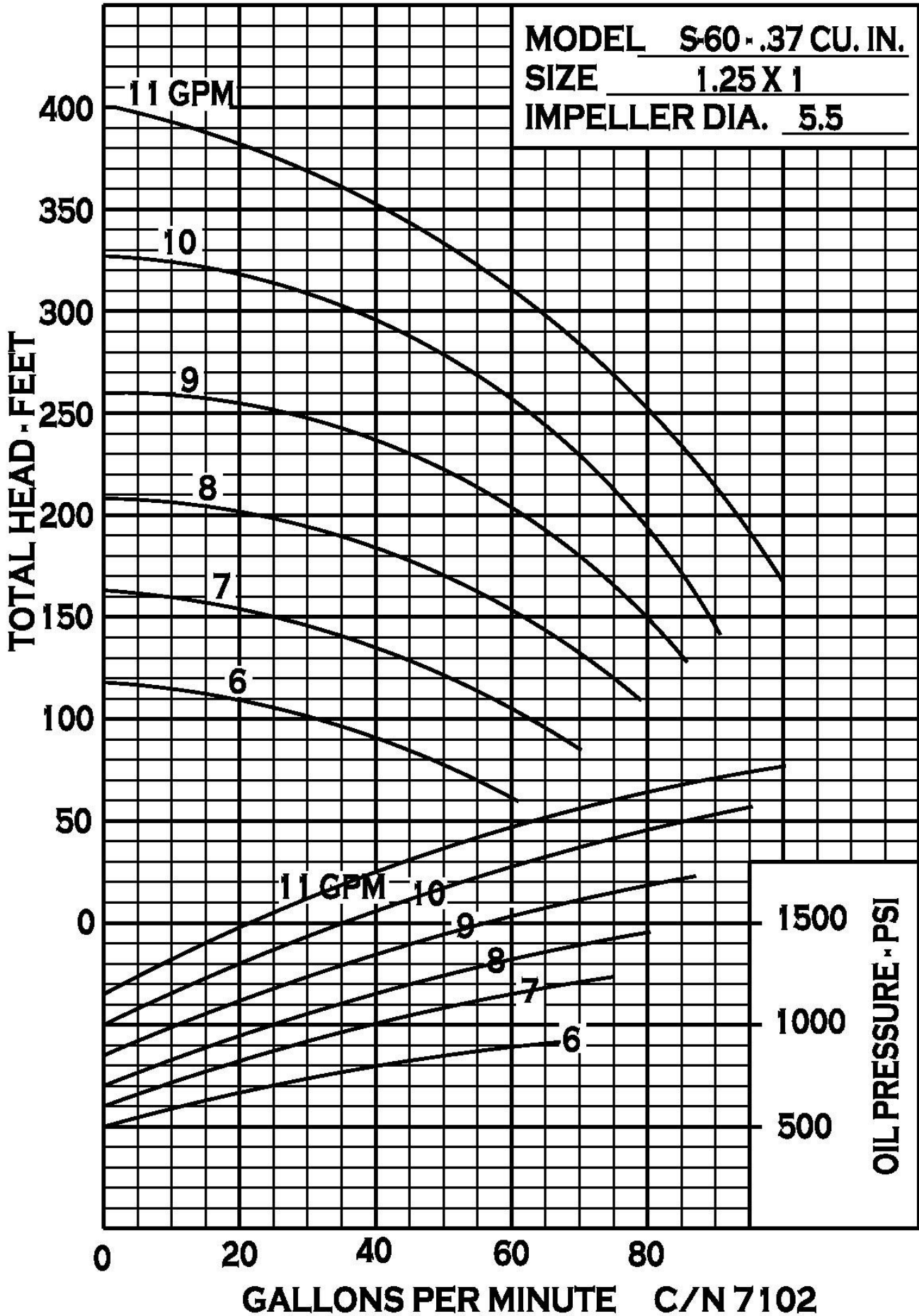




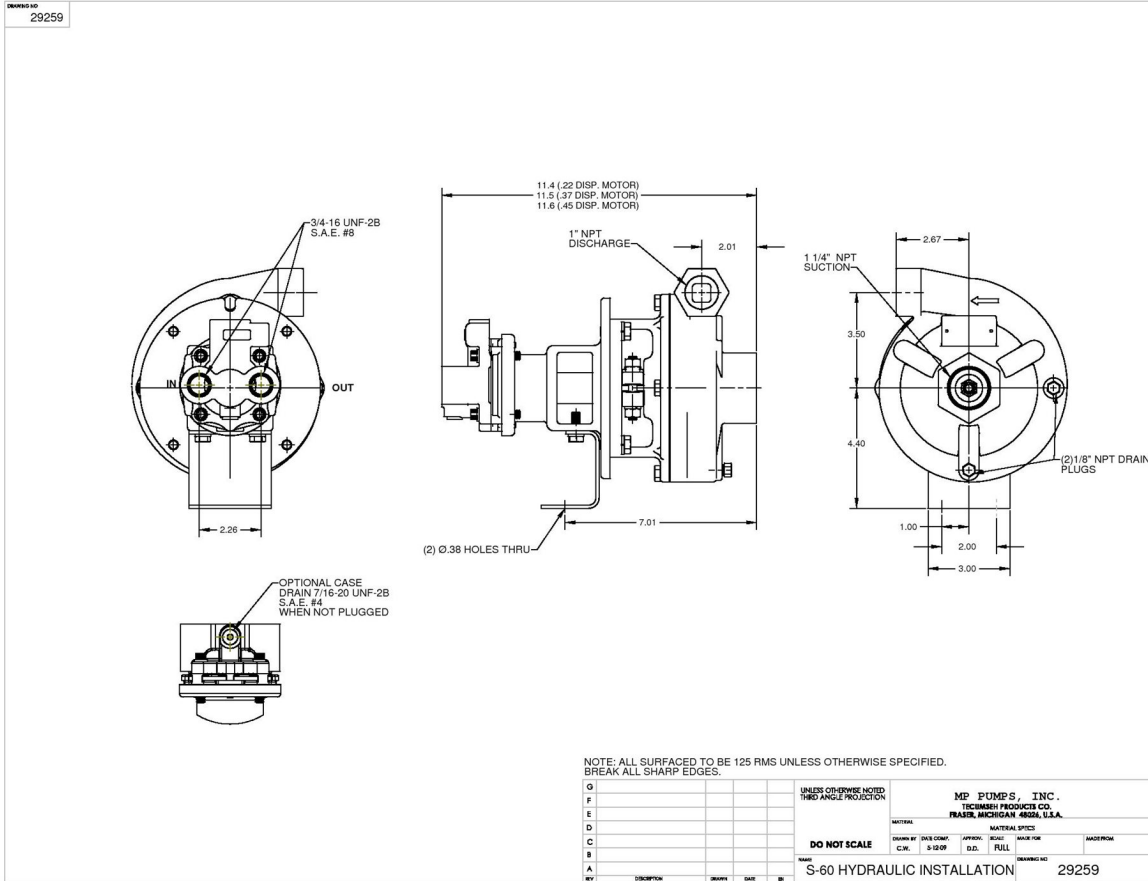


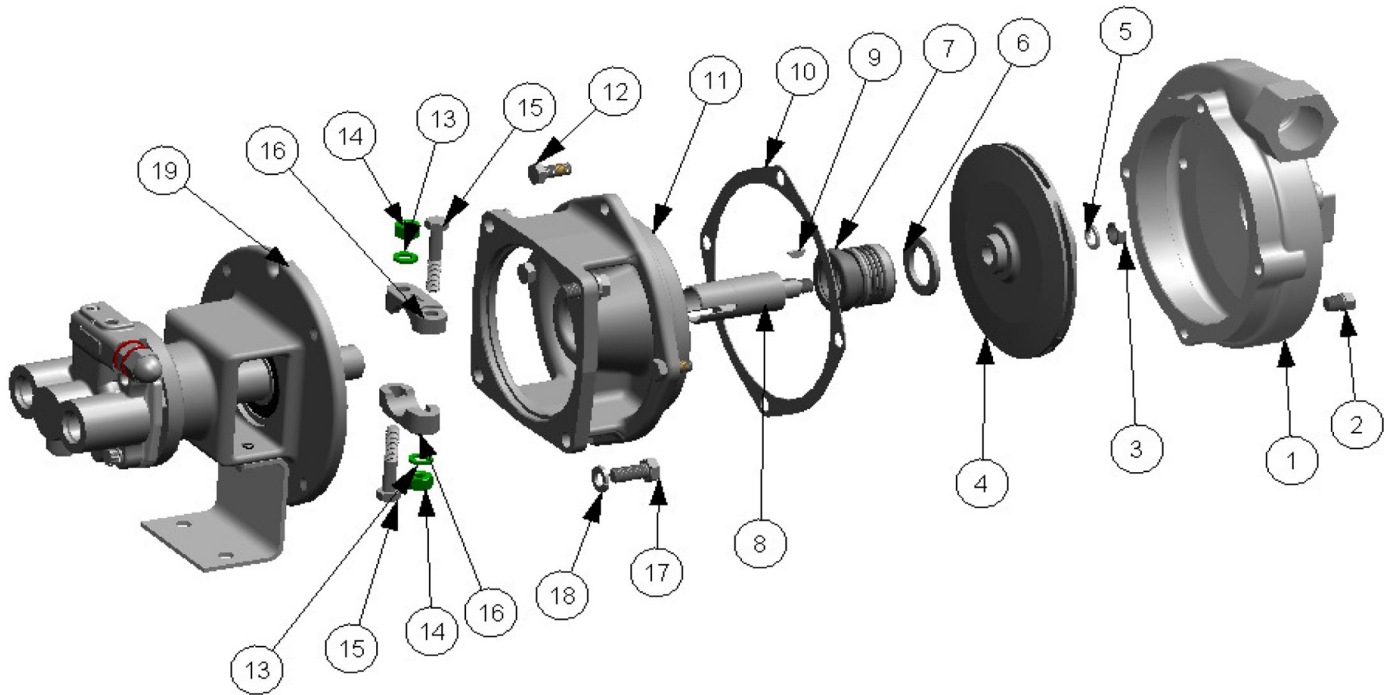






SERIES 60 HYDRAULIC



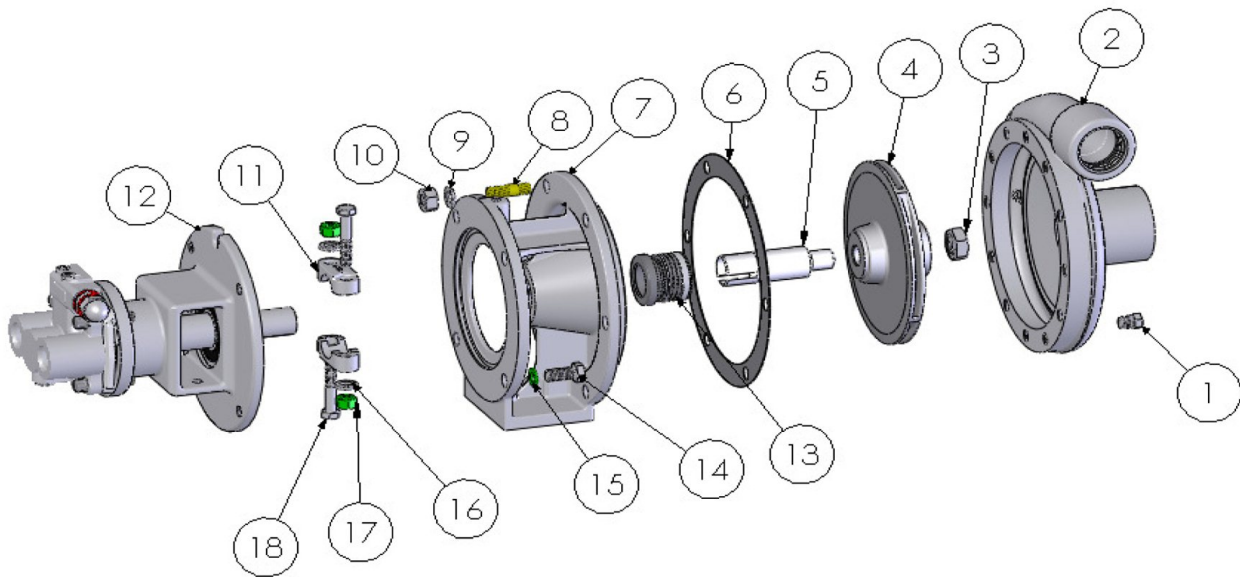


ITEM NO.	PART NO.	DESCRIPTION	QTY.		ITEM NO.	PART NO.	DESCRIPTION	QTY.
1	27658	HOUSING - CAST IRON	1		13	21238	LOCKWASHER S.S. - 5/16	2
2	21585	PIPE PLUG - 1/8" NPT	2		14	21284	HEXNUT S.S. - 5/16-18	2
3	22588	LOCKNUT S.S. - 3/8-24	1		15	21264	CAPSCREW S.S. - 5/16-18	2
4	27998	IMPELLER - CAST IRON	1		16	21954	CLAMP S.S. - 7/8	2
5	31224	WASHER	1		17	21251	CAPSCREW S.S. - 3/8-16	4
6	31103	WASHER	1		18	21266	LOCKWASHER S.S. - 3/8	4
* 7	22273	SEAL ASSY. - 1" VITON	1		19	36271	HS ASY. W/.22 CU. IN.	1
8	29032	DRIVE SLEEVE S.S. - 7/8	1			36269	HS ASY. W/.37 CU. IN.	
9	21865	WOODRUFF KEY - S.S.	1			36270	HS ASY. W/.45 CU. IN.	
* 10	27665	GASKET - NI-2085	1			36596	HS ASY. W/.58 CU. IN.	
11	28593	ADAPTER - CAST IRON	1					
12	24965	CAPSCREW S.S. - 5/16-18	4					

* SUGGESTED REPLACEMENT PARTS

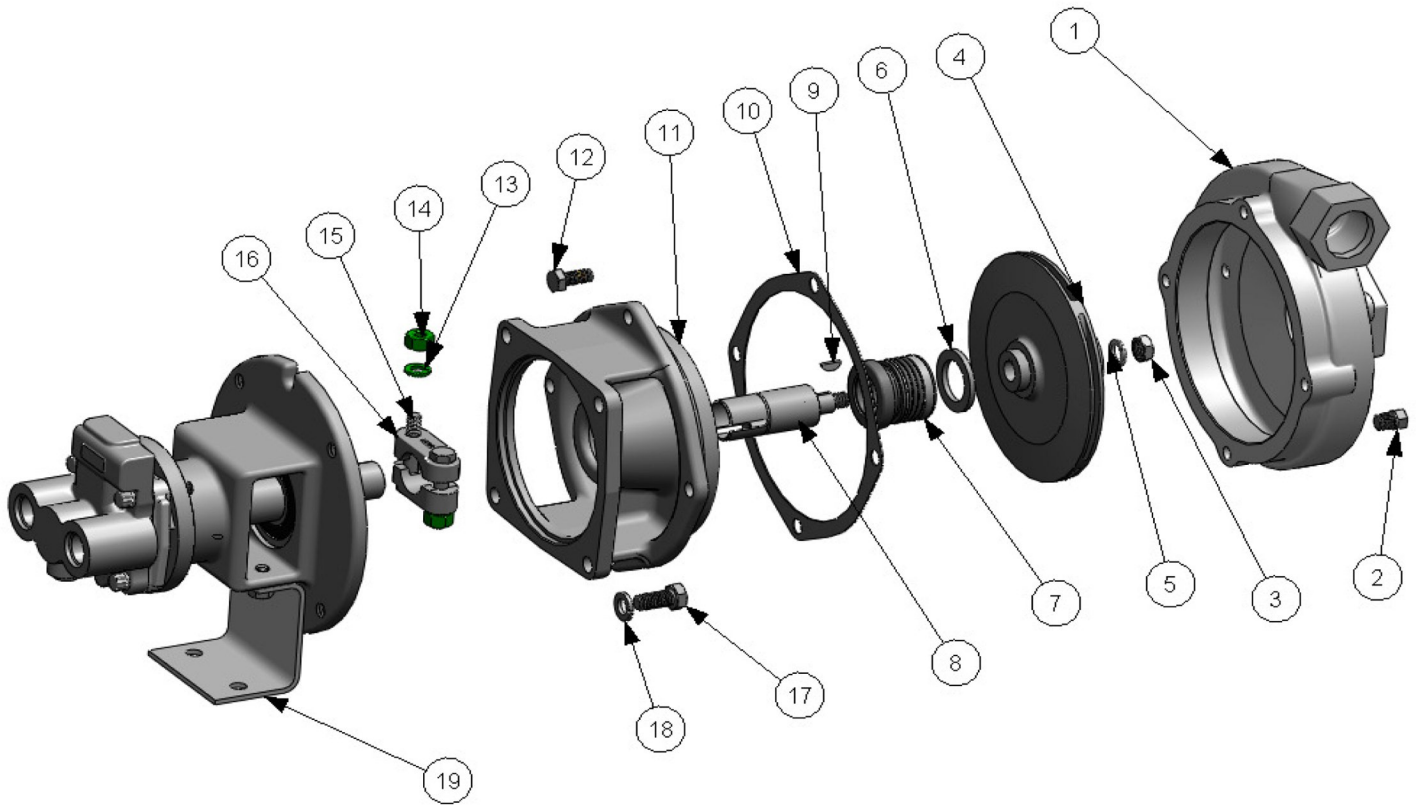


34800 BENNETT - FRASER, MI 48026-1686
 (586) 293-8240 - FAX (586) 293-8469
 (800) 563-8006 - www.mppumps.com



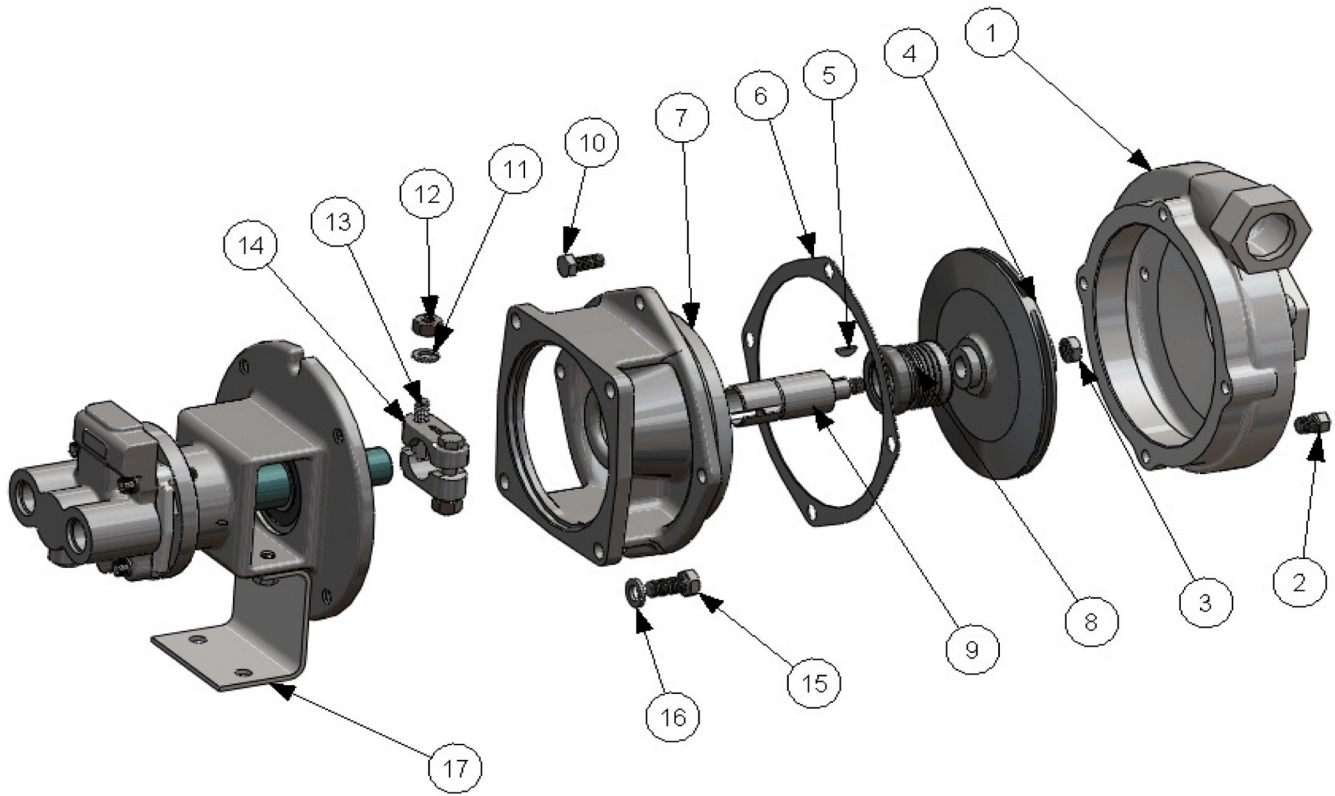
ITEM NO.	PART NO.	DESCRIPTION	QTY.	ITEM NO.	PART NO.	DESCRIPTION	QTY.
1	21585	PIPE PLUG - 1/8" NPT	2	13	22273	SEAL ASSY. - 1" VITON	1
2	25666	HOUSING - CAST IRON	1	14	21251	CAPSCREW S.S. - 3/8-16 X .88	4
3	22655	HEX JAM NUT S.S. - 5/8-18	1	15	21266	LOCKWASHER S.S. - 3/8	4
4	25910	IMPELLER - STL.	1	16	21238	LOCKWASHER S.S. - 5/16	2
5	25664	DRIVE SLEEVE S.S. - 7/8	1	17	21268	HEXNUT S.S. - 5/16-18	2
6	25662	GASKET - KLINGERSIL C-4433	1	18	21264	CAPSCREW S.S. - 5/16-18	2
* 7	25332	ADAPTER - CAST IRON	1				
8	21260	STUD S.S. - 3/8-16 X 1/32	6				
9	21266	LOCKWASHER S.S. - 3/8	6				
* 10	21268	HEXNUT S.S. - 3/8-16	4				
11	21954	CLAMP S.S. - 7/8	2				
12	36097	HS PED. ASSY. W/.37 CU. IN.	1				
	36098	HS PED. ASSY. W/.45 CU. IN.					
	36024	HS PED. ASSY. W/.58 CU. IN.					

* SUGGESTED REPLACEMENT PARTS



ITEM NO.	PART NO.	DESCRIPTION	QTY.	ITEM NO.	PART NO.	DESCRIPTION	QTY.
1	27658	HOUSING - CAST IRON	1	13	21238	LOCKWASHER S.S. - 5/16	2
2	21585	PIPE PLUG - 1/8" NPT	2	14	21284	HEXNUT S.S. - 5/16-18	2
3	22588	LOCKNUT S.S. - 3/8-24	1	15	21264	CAPSCREW S.S. - 5/16-18	2
4	27998	IMPELLER - CAST IRON	1	16	21954	CLAMP S.S. - 7/8	2
* 5	31224	WASHER	1	17	21251	CAPSCREW S.S. - 3/8-16	4
* 6	31103	WASHER	1	18	21266	LOCKWASHER S.S. - 3/8	4
* 7	22273	SEAL ASSY. - 1" VITON	1	19	36025	PED. ASSY. W/.22 CU. IN.	1
8	29032	DRIVE SLEEVE S.S. - 7/8	1		36449	PED. ASSY. W/.37 CU. IN.	
9	21865	WOODRUFF KEY - S.S.	1		36026	PED. ASSY. W/.45 CU. IN.	
* 10	27665	GASKET - NI-2085	1				
11	28593	ADAPTER - CAST IRON	1				
12	24965	CAPSCREW S.S. - 5/16-18	4				

* SUGGESTED REPLACEMENT PARTS



ITEM NO.	PART NO.	DESCRIPTION	QTY.	ITEM NO.	PART NO.	DESCRIPTION	QTY.	
1	27659	HOUSING - CAST IRON	1	11	21238	LOCKWASHER S.S. - 5/16	2	
2	21585	PIPE PLUG - 1/8" NPT	2	12	21284	HEXNUT S.S. - 5/16-18	2	
3	22588	LOCKNUT S.S. - 3/8-24	1	13	21264	CAPSCREW S.S. - 5/16-18	2	
4	27998	IMPELLER - CAST IRON	1	14	21954	CLAMP S.S. - 7/8	2	
5	21865	WOODRUFF KEY - S.S.	1	15	21251	CAPSCREW S.S. - 3/8-16	4	
*	6	27665	GASKET - NI-2085	1	16	21266	LOCKWASHER S.S. - 3/8	4
7	28593	ADAPTER - CAST IRON	1	17	36025	PED. ASSY. W/22 CU. IN.	1	
*	8	22273	SEAL ASSY. - 1" VITON		29139	PED. ASSY. W/37 CU. IN.		
9	29032	DRIVE SLEEVE S.S. - 7/8	1	36026	PED. ASSY. W/45 CU. IN.			
10	24965	CAPSCREW S.S. - 5/16-18	4	36024	PED. ASSY. W/58 CU. IN.			

* SUGGESTED REPLACEMENT PARTS



34800 BENNETT - FRASER, MI 48026-1686
 (586) 293-8240 - FAX (586) 293-8469
 (800) 563-8006 - www.mppumps.com