



FLOMAX[®] 8 SS

Self-Priming Centrifugal Pump



The 316 Stainless Steel FLOMAX[®] 8 provides excellent chemical compatibility and corrosion resistance for “hard-to-handle” aggressive fluids making it ideal for numerous agricultural, industrial and marine applications.

The pump is equipped with a standard viton flapper, priming chamber fill-plug, and a 2” NPT ANSI 150 # Class Flat Suction Flange. The discharge port is SAE 4-bolt flat face and accepts 150 # Class Flat Flange.

The 2” NPT ANSI 150 # Class Flat Flange can be supplied as an option for the discharge port.

The standard mechanical seal is carbon/ceramic/viton/ stainless steel. Consult factory for optional seals.

Two open impeller designs are available: the standard Flomax[®] 3-blade impeller and the higher performance 5-blade impeller. Impellers are balanced and trimmed to insure non-overloading conditions.

Two basic pumpak styles allow the FLOMAX[®] 8 self-priming centrifugal pump to fit standard Nema “C” electric motor frames or the standard MP pedestal, hydraulic pedestal mount and engines. The PUMPAK is completely assembled and can be mounted to a standard motor in minutes.

Mounting Options:

- PumPak[®]
- Pedestal
- Engine
- Electric Motor
 - 56C
 - 145TC
- Hydraulic

Flows to 180 GPM:

Pressures To 97 TDH:

- 2 Impeller Designs

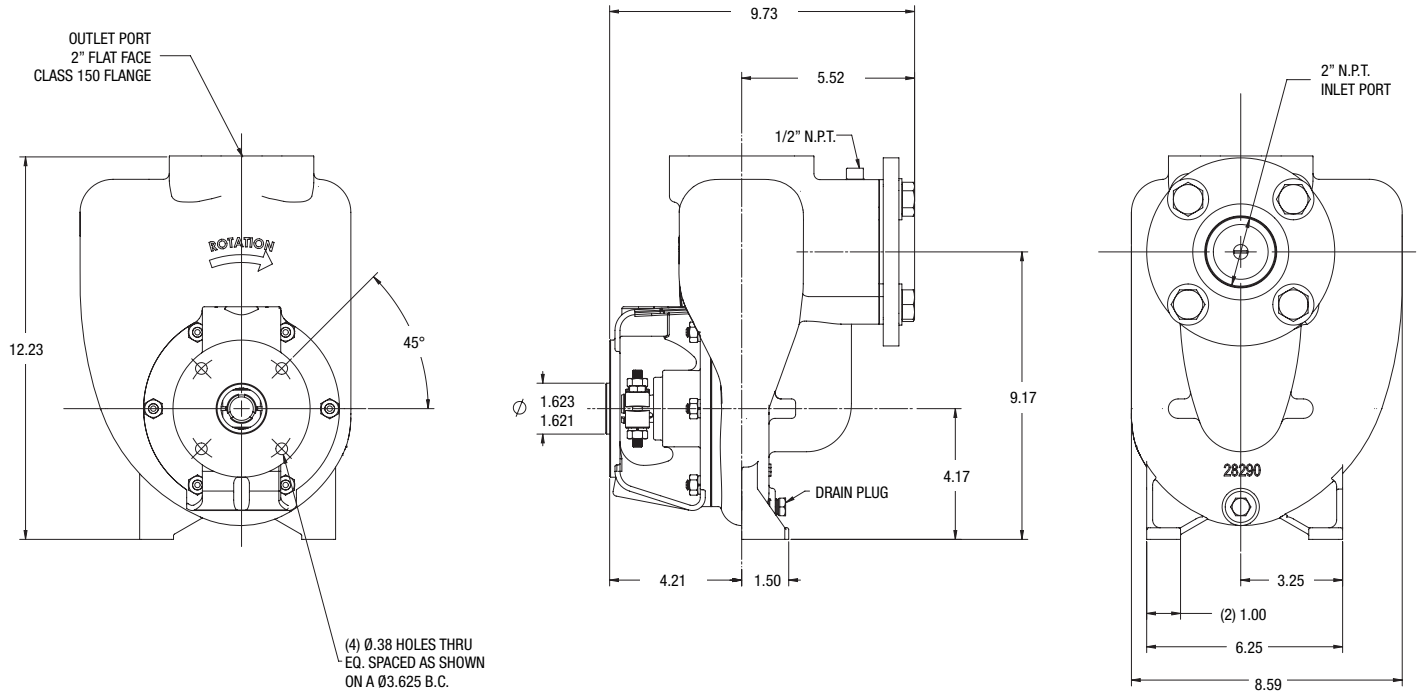
Applications:

- AG Fertilizer Transfer
- Chemical Transfer
- Diesel Exhaust Fluid (DEF) Transfer
- R.O. Water Transfer

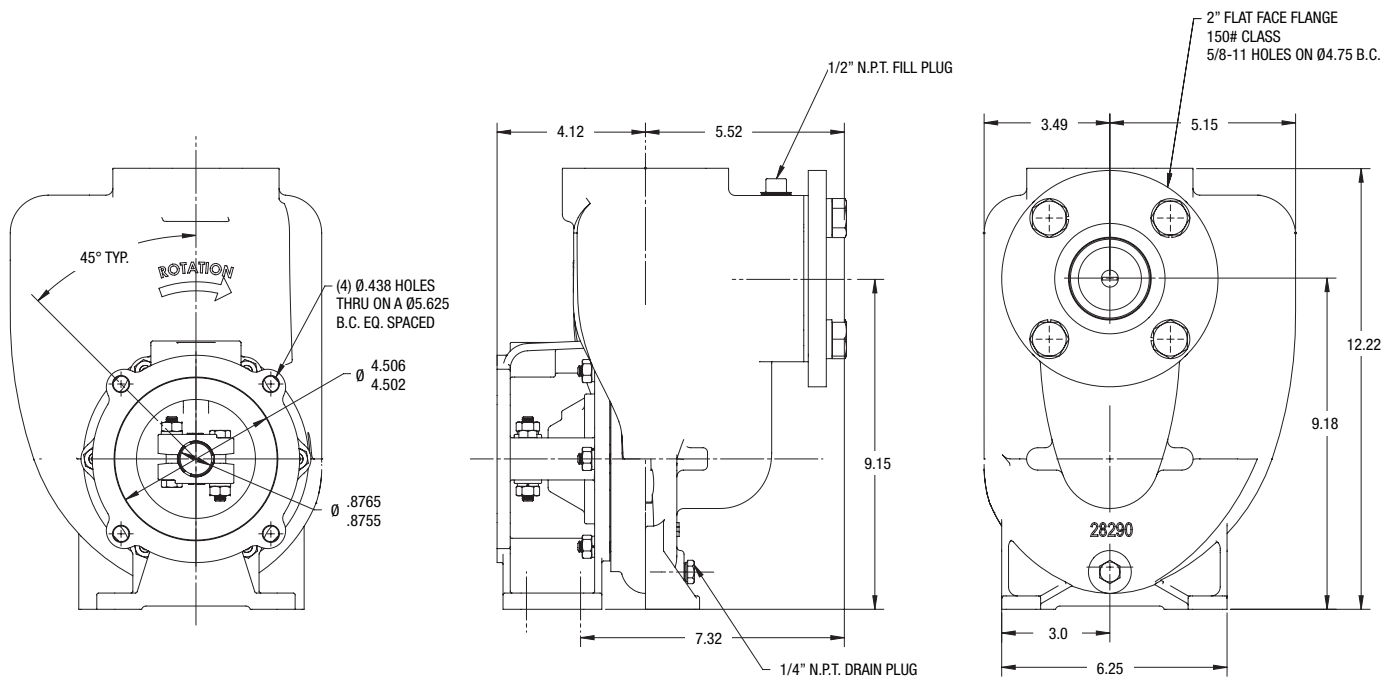
SPECIFICATIONS:

Construction	316 SS
Suction	2” NPT 150 # Class Flat Flange
Discharge	SAE 4-Bolt Flat Face
(Option P/N 36607)	2” NPT 150 # Class Flat Flange
Flapper	Viton
Mechanical Seal, Type 21	Carbon/Ceramic/Viton
Impeller	316 SS, Semi-Open, Balanced
.....	3-Blade and 5-Blade options

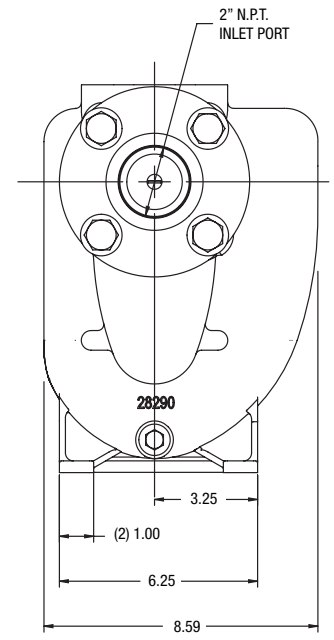
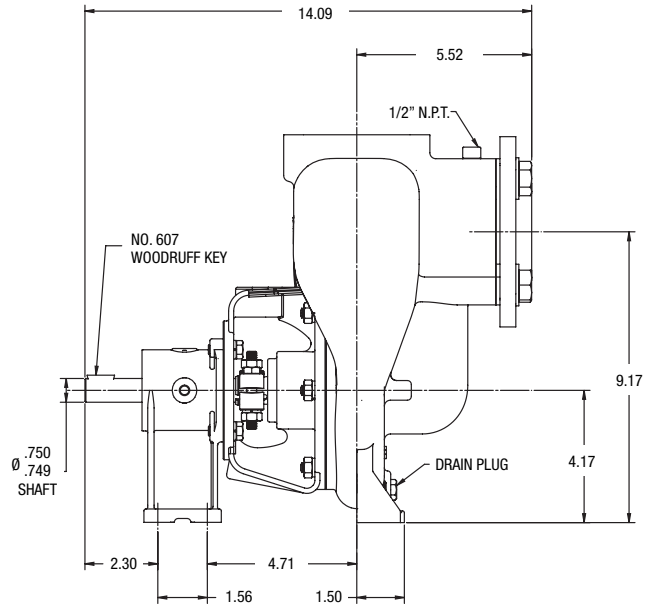
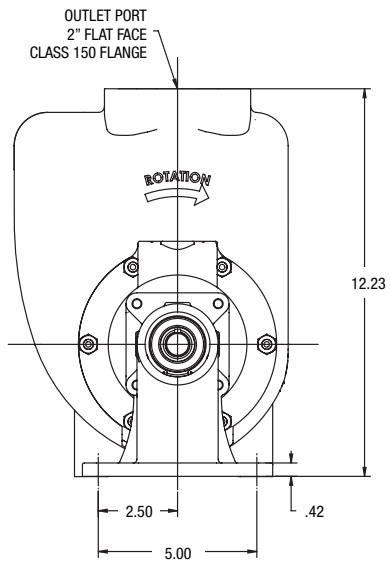
FLOMAX® 8 SS Engine Drive PumPak Dimensions



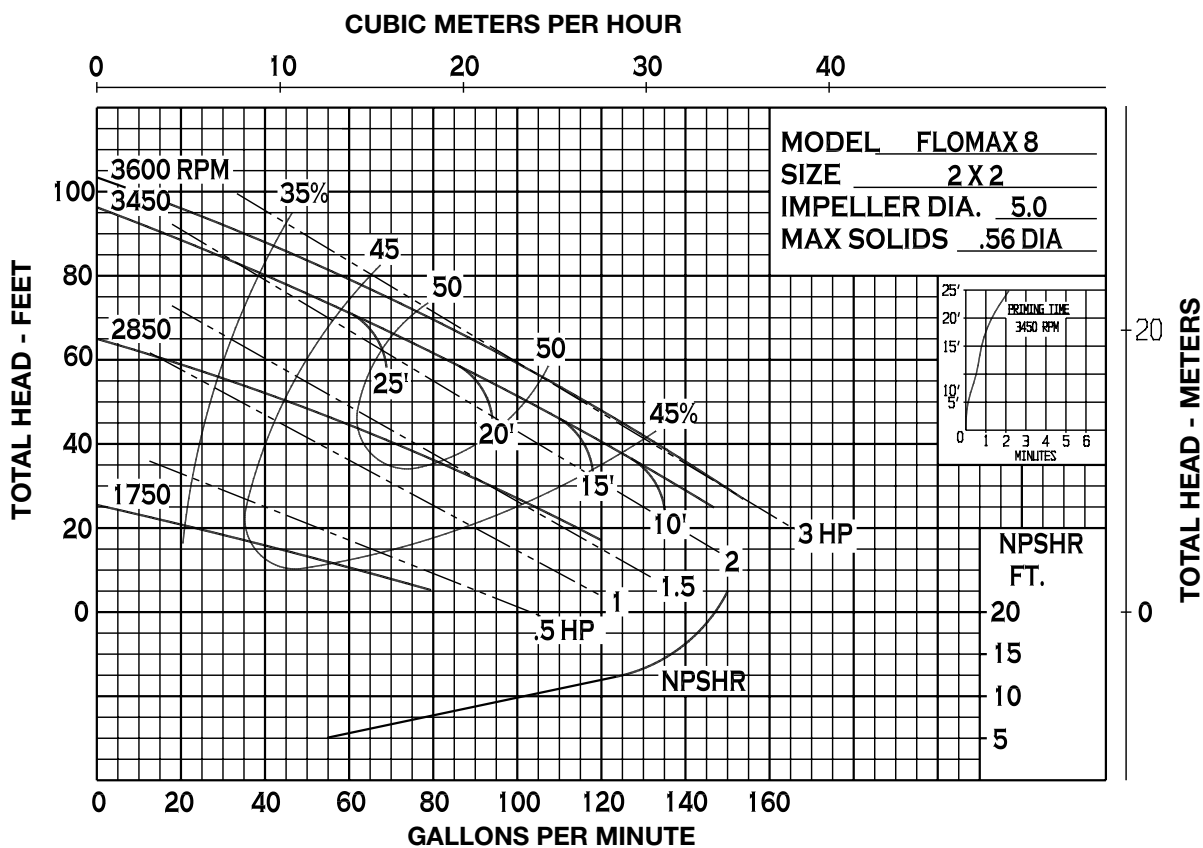
FLOMAX® 8 SS "C" Face Electric Motor PumPak Dimensions



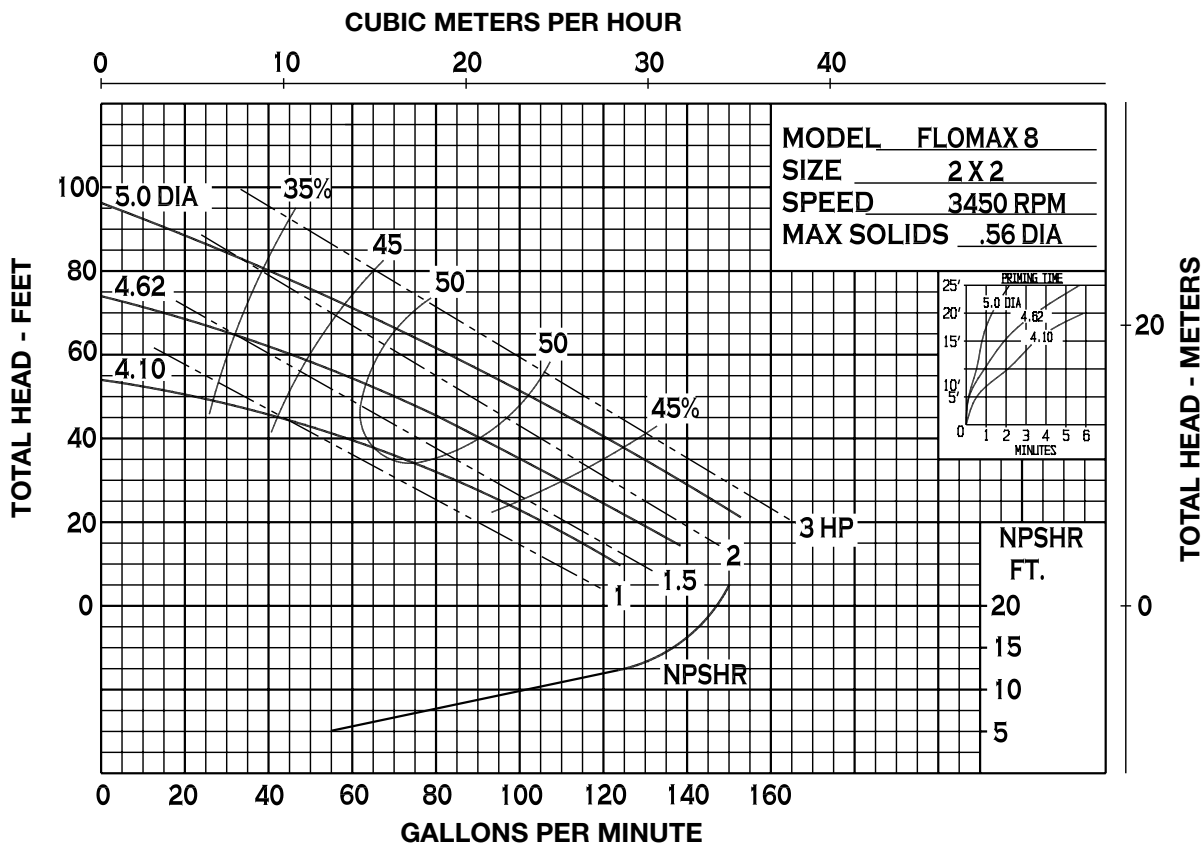
FLOMAX® 8 SS Pedestal Dimensions



FLOMAX® 8 SS Performance Curves 3-Blade

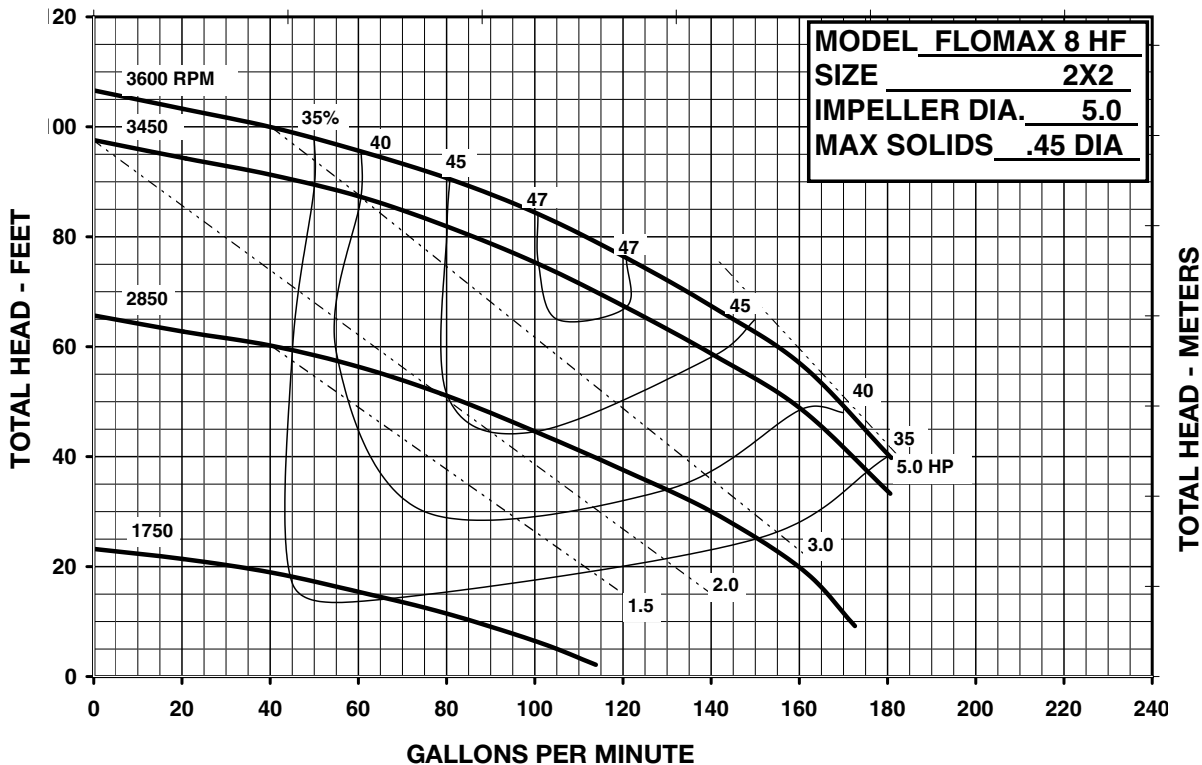


FLOMAX® 8 SS Performance Curves 3-Blade

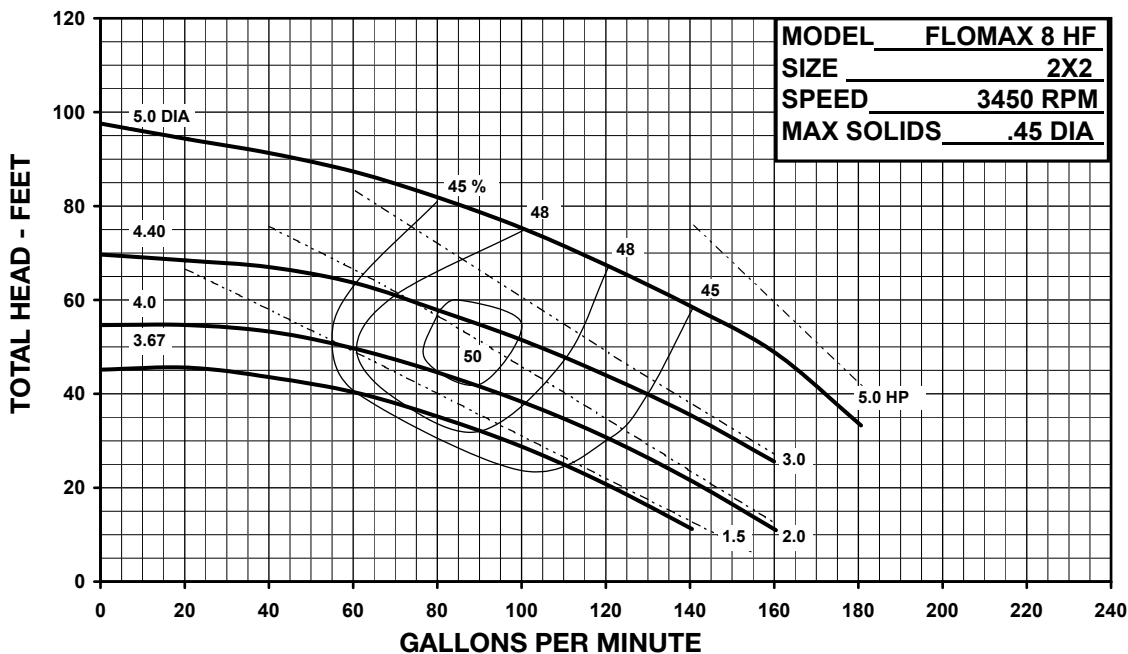


FLOMAX® 8 SS Performance Curves 5-Blade

CUBIC METERS PER HOUR



FLOMAX® 8 SS Performance Curves 5-Blade



MP Pumps, Inc.®
 34800 Bennett • Fraser, MI 48026-1686
 (586) 293-8240 • Fax (586) 293-8469
 (800) 563-8006 • www.mppumps.com